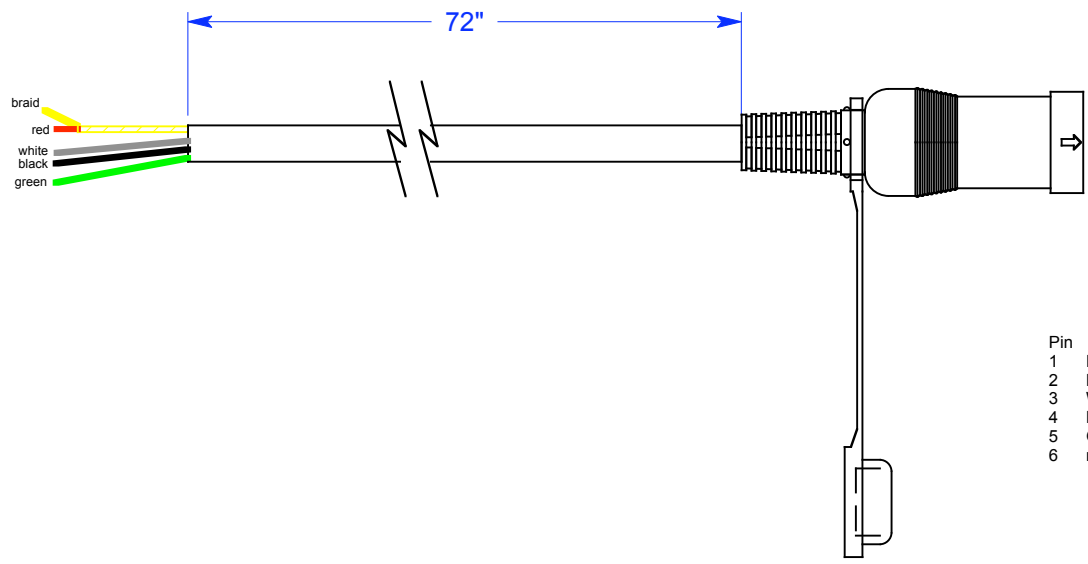
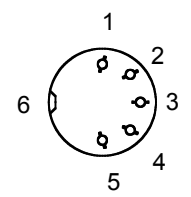


A B C D E F G H J K L M N P

Rev	Description	By	Date
0	Release	--	MM/DD/YY



Pin	Color
1	Red
2	Braid
3	White
4	Black
5	Green
6	n.c.



Front View - Reference

THIS DRAWING IS THE PROPERTY OF THE KENNEDY TECHNOLOGY GROUP, ROSE HILL, KANSAS			
Kennedy Technology		UNLESS OTHERWISE SPECIFIED: DIMENSIONS ARE IN INCHES TOLERANCES LINEAR Fractional - 1/32" 0.0 ± 0.15 0.00 ± 0.015 0.000 ± 0.0015 ANGULAR ±0.5 DEG.	
REFERENCE	Pigtail, 5 pin DIN		
SIZE B	CADFILE	DWG NO. 95510	REV NO. 0
SCALE: NONE		FOR ASSISTANCE CONTACT: vox 316-776-1111 fax 316-776-9035	DRAWN _____ DATE _____
SHEET 1 OF 1			CHECKED _____ DATE _____

A B C D E F G H J K L M N P