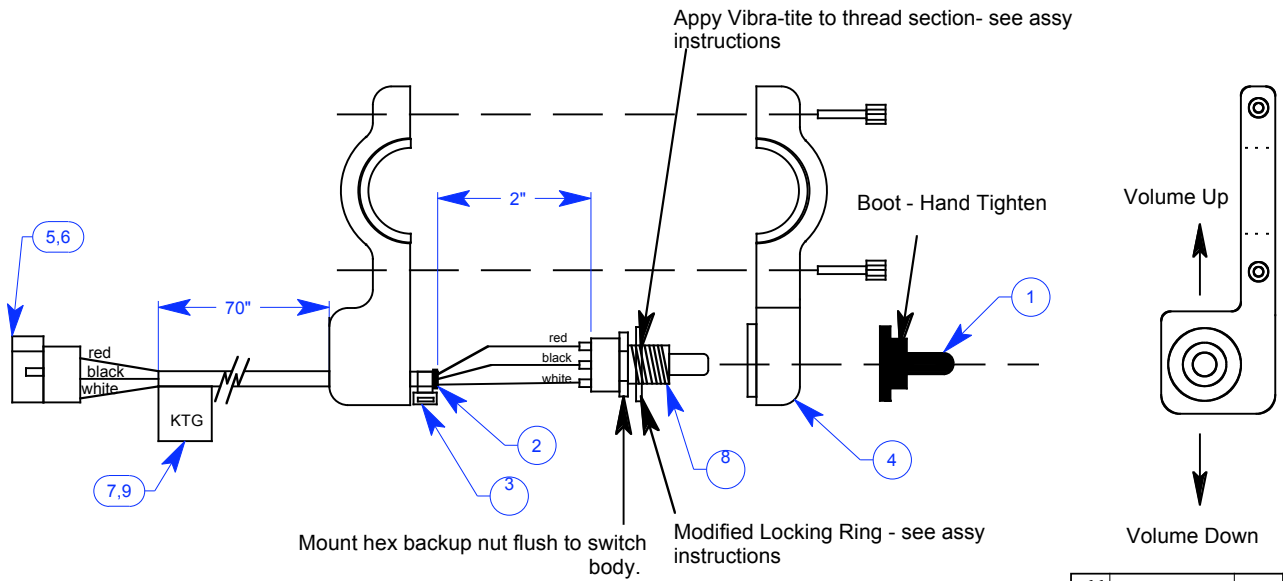


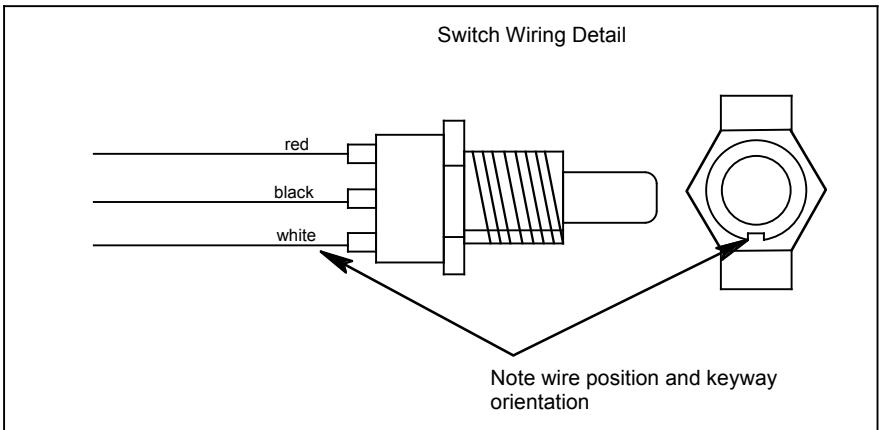
A B C D E F G H J K L M N P

Rev	Description	By	Date
0	Release	--	8/21/08



Mount hex backup nut flush to switch body.
Modified Locking Ring - see assy instructions

Item	Part #	Rev	Qty	Unit	Description
11					
10	90020	0	72	in	cable, three conductor, 22 AWG, black
9	85925	0	1	ea	Label, s/n and p/n
8	75077	0	1	ea	Switch, SPDT, (ON)-Off-(ON)
7	60049	0	1	ea	label, overlaminating, 1.25 x 3
6	40100	0	1	ea	Plug, 3 circuit, 0.062"
5	40025	0	3	ea	Contact, pin, 18-24AWG, 0.062"
4	30629	0	1	ea	Bracket, Handbar mount
3	30502	0	1	ea	Tie wrap, 4", Black
2	30200	0	1	mL	Adhesive
1	30099	0	1	ea	Boot seal, black, 12mm



THIS DRAWING IS THE PROPERTY OF THE KENNEDY TECHNOLOGY GROUP, ROSE HILL, KANSAS

Kennedy Technology

AuxAmp, Up/Down Switch, handlebar mount

UNLESS OTHERWISE SPECIFIED:
DIMENSIONS ARE IN INCHES
TOLERANCES
LINEAR
Fractional - 1/32"
0.0 ± 0.15
0.00 ± 0.015
0.000 ± 0.0015
ANGULAR
±0.5 DEG.

REFERENCE	95482			REV NO.	0
SIZE	CADFILE	DWG NO.	95482		
SCALE: NONE		FOR ASSISTANCE CONTACT:		DRAWN	DATE
SHEET 1 OF 1		vox 316-776-1111 fax 316-776-9035		CHECKED	DATE

A B C D E F G H J K L M N P