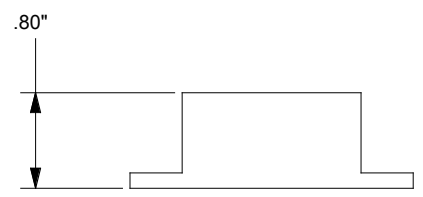
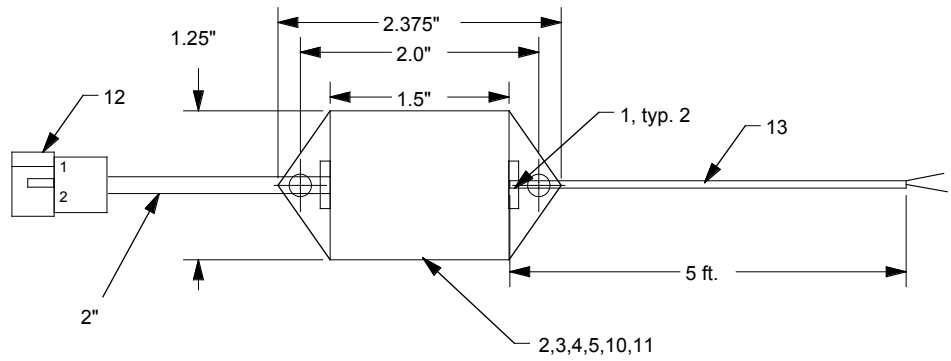
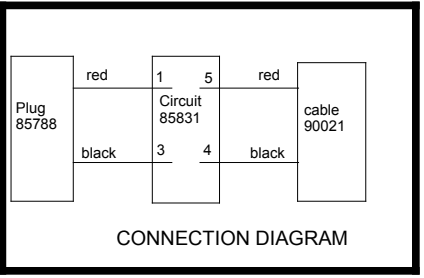


A B C D E F G H J K L M N P

1
2
3
4
5
6
7
8
9



Item	Part #	Rev	Qty	Unit	Description
13	90021	0	60	in	cable, two conductor, 22 AWG, black
12	85788	0	1	ea	Pigtail, 2 conductor, 0.062 plug
11	85785	0	1	ea	Enclosure, machined, powerset
10	85831	1	1	ea	Circuit, PowerSet-5V
9	70007	0	1	ea	Bag, Poly, 5"x14"
8	65274	0	0	ea	UserSheet, PowerSet
7	65005	2	1	ea	cellset product registration
6	65004	2	1	ea	cellset warranty
5	60004	5	1	ea	Label, KTG package label
4	60002	2	1	ea	label, metallized polyester w/laminant
3	55051	0	1	ea	Cover, for TF-1218TX, black
2	30200	0	0.1	mL	Adhesive
1	30025	0	2	ea	grommet, 1/8"



THIS DRAWING IS THE PROPERTY OF THE KENNEDY TECHNOLOGY GROUP, ROSE HILL, KANSAS

Kennedy Technology

PowerSet-5Vdc

REFERENCE: **95395**

SIZE: B CADFILE: DWG NO. **95522** REV NO. **0**

SCALE: NONE FOR ASSISTANCE CONTACT: **vox 316-776-1111 fax 316-776-9035**

SHEET 1 OF 1

UNLESS OTHERWISE SPECIFIED:
DIMENSIONS ARE IN INCHES
TOLERANCES
LINEAR
Fractional -1/32"
0.00 ± 0.15
0.00 ± 0.015
0.000 ± ± 0.0015
ANGULAR
±0.5 DEG.

DRAWN: DATE: CHECKED: DATE:

A B C D E F G H J K L M N P