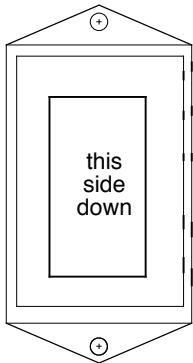
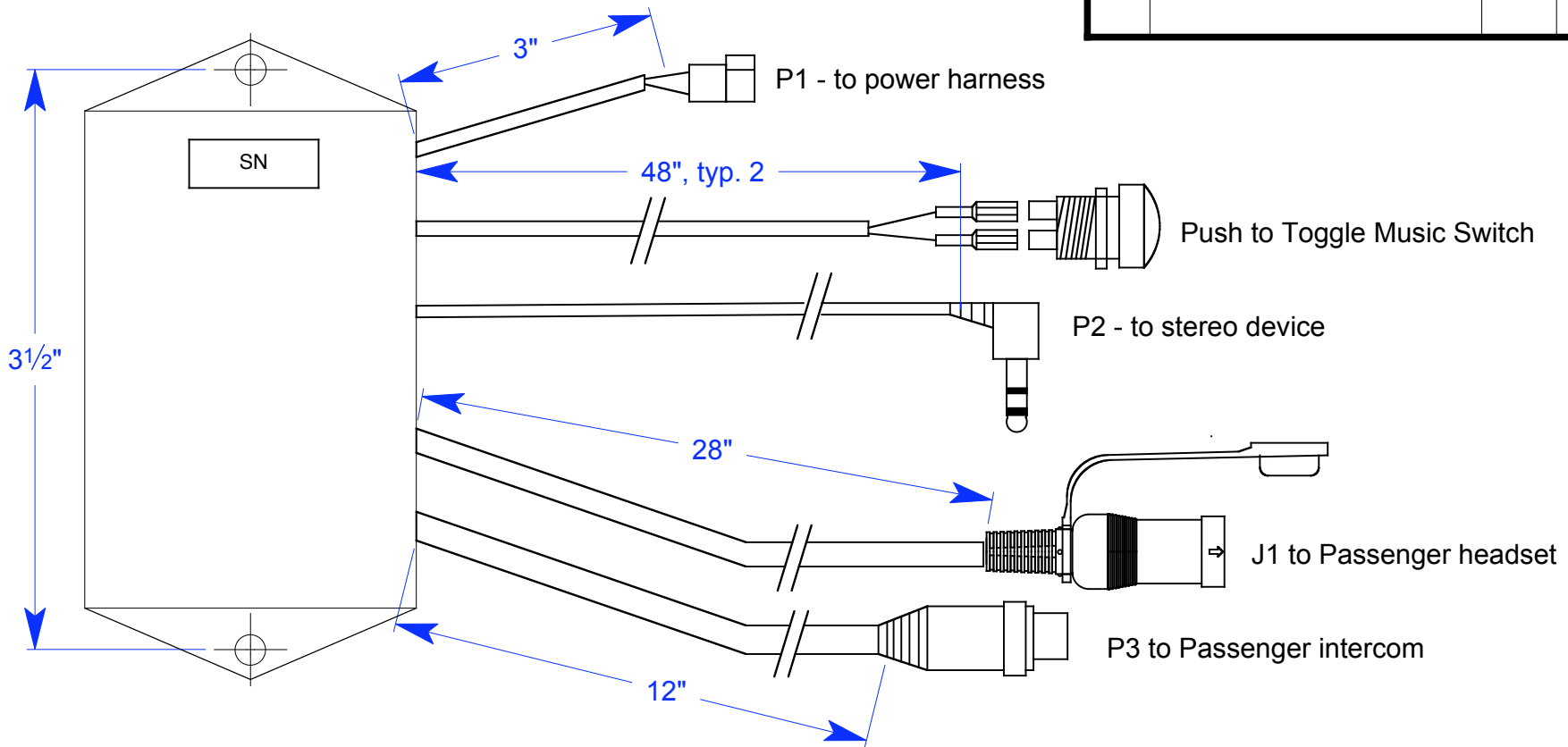


Rev.	Description	by	Date



THIS DRAWING IS THE PROPERTY OF THE KENNEDY TECHNOLOGY GROUP, ROSE HILL, KANSAS

Kennedy Technology

UNLESS OTHERWISE SPECIFIED:
 DIMENSIONS ARE IN INCHES
 TOLERANCES
 LINEAR
 Fractional - 1/32"
 0.0 ± 0.15
 0.00 ± 0.015
 0.000 ± 0.0015
 ANGULAR
 ±0.5 DEG.

REFERENCE		MuseSet2			
SIZE A	CADFILE	DWG NO. 95521	REV NO. 0		
SCALE: NONE		FOR ASSISTANCE CONTACT: vox 316-776.1111 fax 316-776.9035		CHECKED	DATE
SHEET 1 OF 1				DESIGN	DATE