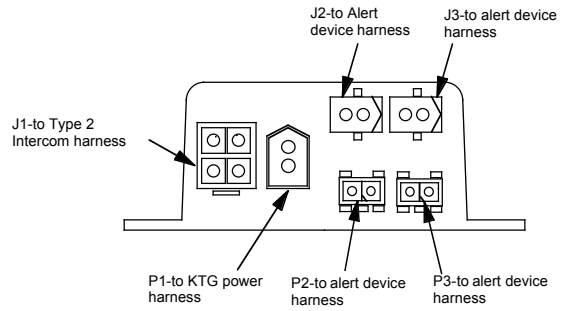
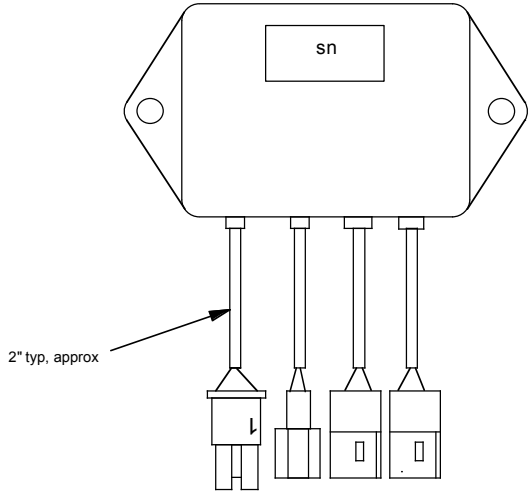


A B C D E F G H J K L M N P

1
2
3
4
5
6
7
8
9



THIS DRAWING IS THE PROPERTY OF THE KENNEDY TECHNOLOGY GROUP, ROSE HILL, KANSAS					
<h1>Kennedy Technology</h1>				UNLESS OTHERWISE SPECIFIED: DIMENSIONS ARE IN INCHES TOLERANCES LINEAR Fractional - 1/32" 0.0 ± 0.15 0.00 ± 0.015 0.000 ± 0.0015 ANGULAR ±0.5 DEG.	
REFERENCE XXXXXX		DWG NO. 95460		REV NO. 0	
SCALE: NONE		FOR ASSISTANCE CONTACT: vox 316-776-1111 fax 316-776-9035		EFFECTIVE sn:	
SHEET 1 OF 1				DRAWN _____ DATE _____	
				CHECKED _____ DATE _____	

A B C D E F G H J K L M N P