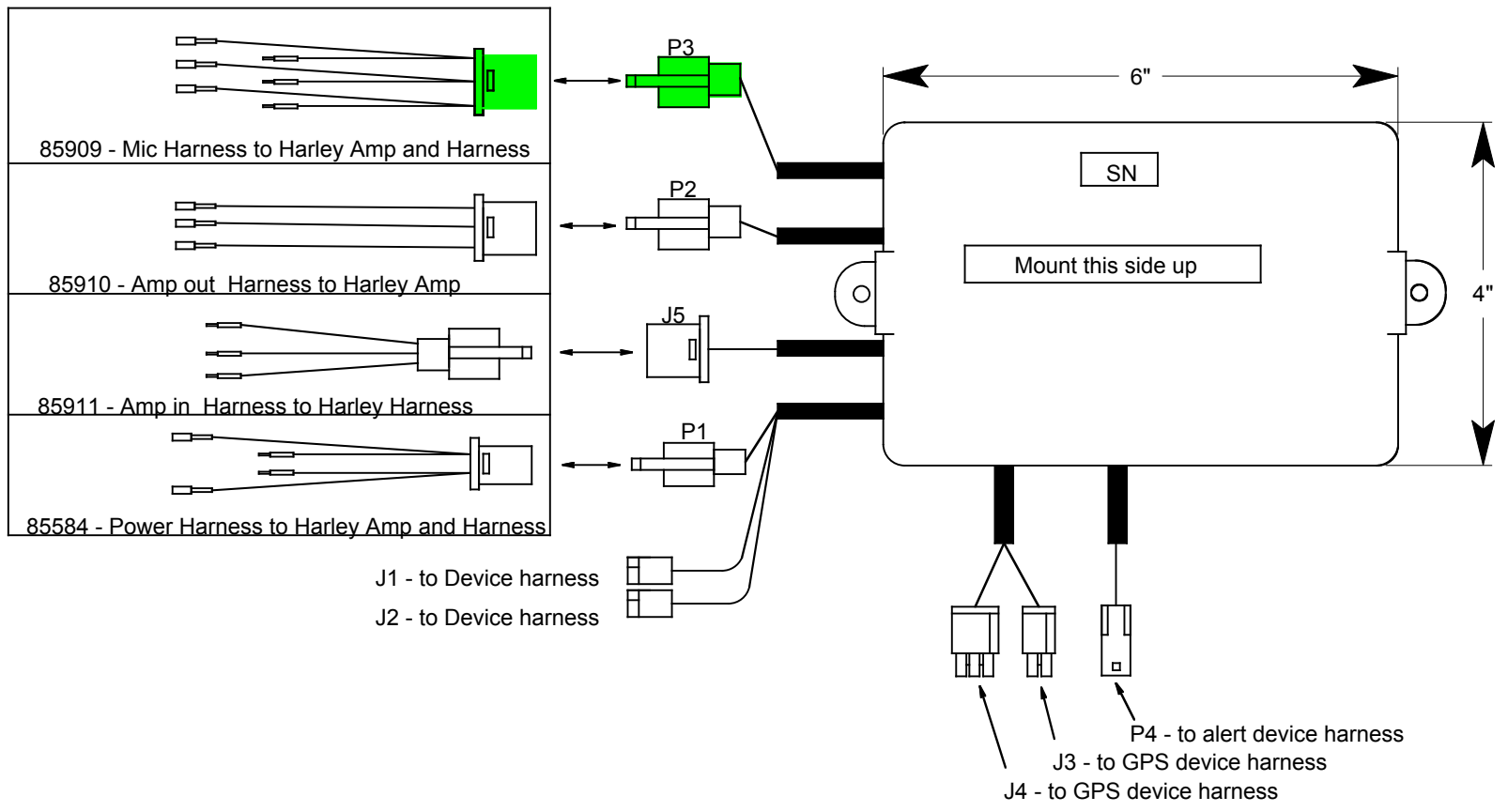


Rev	Description	by	Date
1	85897 was rev0, test inst were rev0	jj	1/23/08



THIS DRAWING IS THE PROPERTY OF THE KENNEDY TECHNOLOGY GROUP, ROSE HILL, KANSAS			
Kennedy Technology		UNLESS OTHERWISE SPECIFIED: DIMENSIONS ARE IN INCHES TOLERANCES: LINEAR Fractional - 1/32" 0.0 ± 0.15 0.00 ± 0.015 0.000 ± 0.0015 ANGULAR ±0.5 DEG.	
REFERENCE XXXXXX	CellSet, MC/GPS - Harley		
SIZE C	CADFILE	DWG NO. 95436	REV NO. 1
SCALE: NONE		FOR ASSISTANCE CONTACT: vox 316-776-1111 fax 316-776-9035	EFFECTIVE S.N.
SHEET 1 OF 1		CHECKED	DATE