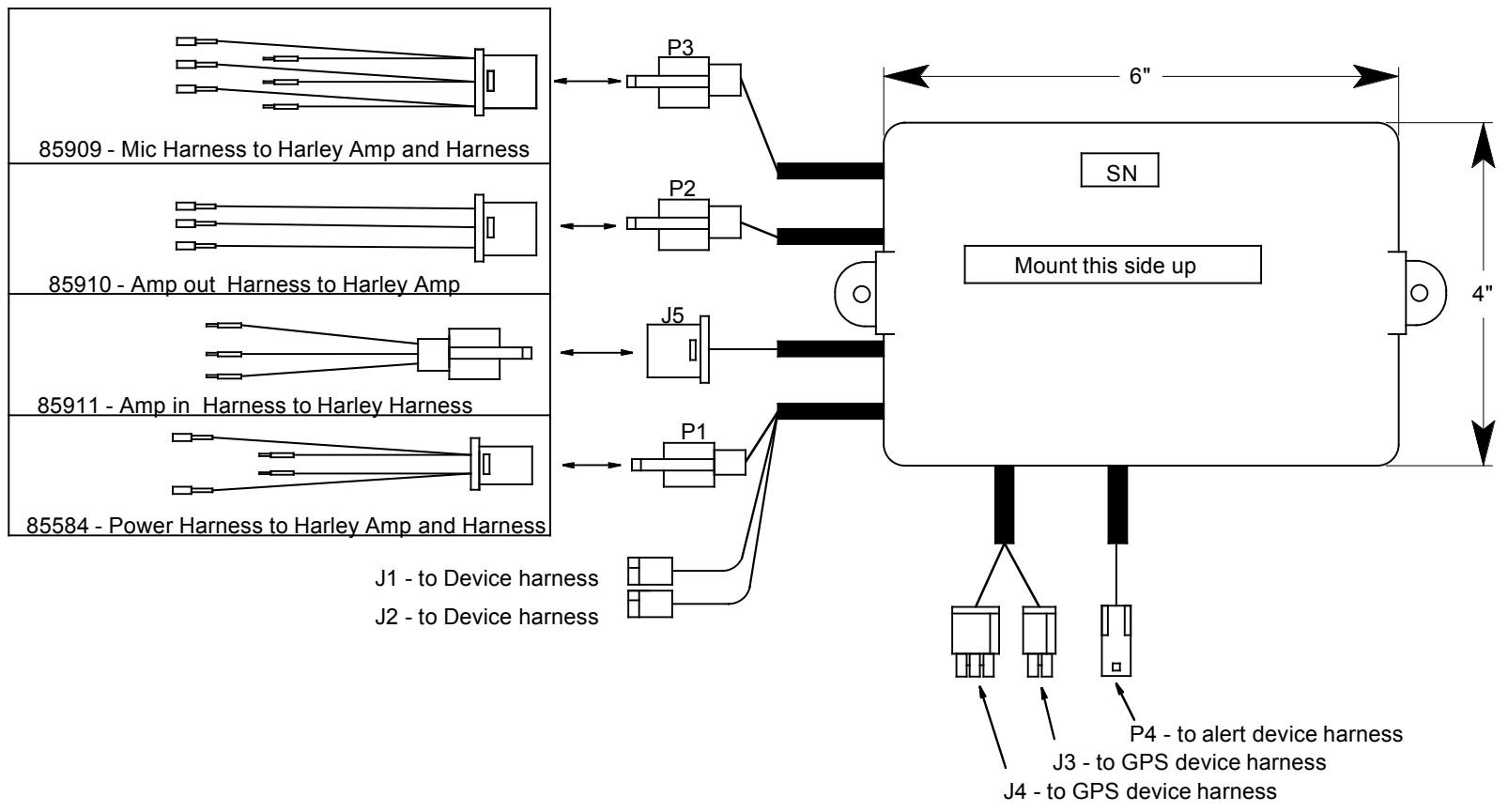


A B C D E F G H J K

Rev	Description	by	Date



J1 - to Device harness  
J2 - to Device harness

P4 - to alert device harness  
J3 - to GPS device harness  
J4 - to GPS device harness

THIS DRAWING IS THE PROPERTY OF THE KENNEDY TECHNOLOGY GROUP, ROSE HILL, KANSAS			
<b>Kennedy Technology</b>		UNLESS OTHERWISE SPECIFIED: DIMENSIONS ARE IN INCHES TOLERANCES: LINEAR Fractions - 1/32" 0.05 ± 0.15 0.0005 ± 0.0015 ANGULAR ±0.5 DEG.	
REFERENCE XXXXXX	CellSet, MC/GPS - Harley		
SIZE C	CAD FILE	DWG NO. 95436	REV NO. 0
SCALE: NONE		FOR ASSISTANCE CONTACT: vox 316-776-1111 fax 316-776-9035	EFFECTIVE S.N.
SHEET 1 OF 1		DRAWN	DATE
		CHECKED	DATE

A B C D E F G H J K