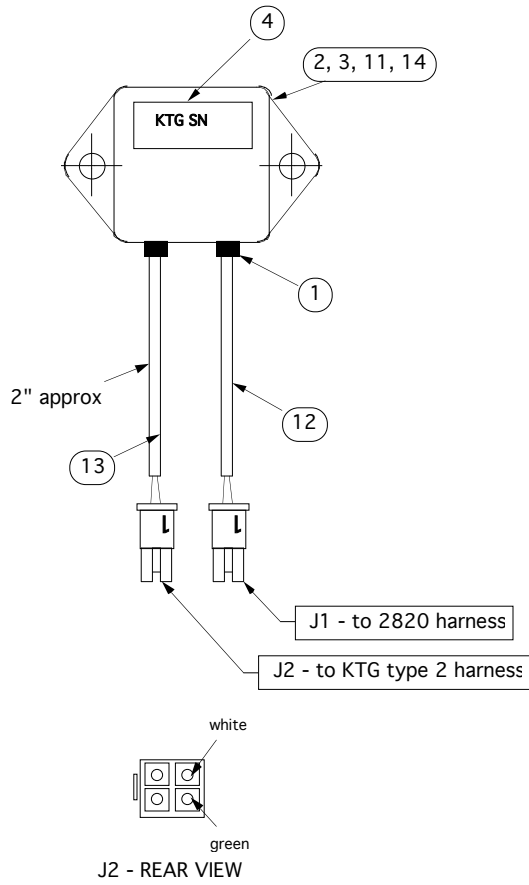


A B C D E F G H J K L M N P

Rev	Description	by	Date
0	release	jj	7/12/06



Item	Part #	Rev	Qty	Unit	Description
15					
14	85868	0	1	ea	Circuit, MC/Mic-2820
13	85866	0	1	ea	Pigtail, receptacle, micro-fit, 4 circuit, 5", h/s h/p only
12	85862	0	1	ea	Pigtail, receptacle, micro-fit, 2 circuit, 5"
11	85327	0	1	ea	Box, machined, RadarSet
10	85225	1	1	ea	Kit, tie wrap
9	70007	0	1	ea	Bag, Poly, 5"x14"
8	65294	0	1	ea	User sheet, CellSet, MC/MIC-2820
7	65005	2	1	ea	cellset product registration
6	65004	2	1	ea	cellset warranty
5	60004	5	1	ea	Label, KTG package label
4	60002	2	1	ea	label, metallized polyester w/laminant
3	55045	0	1	ea	lid, polycase, for 1175TX
2	30200	0	0.5	mL	Adhesive
1	30025	0	2	ea	grommet, 1/8"

THIS DRAWING IS THE PROPERTY OF THE KENNEDY TECHNOLOGY GROUP, ROSE HILL, KANSAS

Kennedy Technology

UNLESS OTHERWISE SPECIFIED:
DIMENSIONS ARE IN INCHES
TOLERANCES
LINEAR
Fractional = 1/32"
0.0 ± 0.15
0.00 ± 0.015
0.000 ± 0.0015
ANGULAR
±0.5 DEG.

REFERENCE	85348	CellSet, MC/MIC-2820
SIZE	B	CADFILE
DWG NO.	95416	REV NO.
FOR ASSISTANCE CONTACT:	sn:	EFFECTIVE
SCALE: NONE	FOR ASSISTANCE CONTACT:	DRAWN
SHEET 1 OF 1	vox 316-776-1111 fax 316-776-9035	CHECKED
		DATE

A B C D E F G H J K L M N P