

A B C D E F G H J K L M N P

1

2

3

4

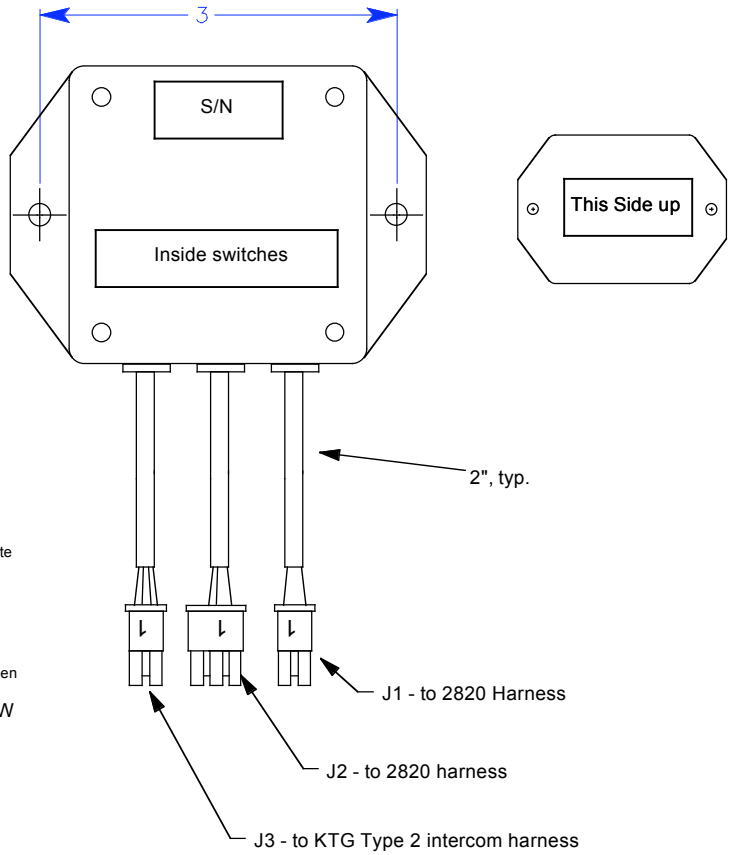
5

6

7

8

9



THIS DRAWING IS THE PROPERTY OF THE KENNEDY TECHNOLOGY GROUP, ROSE HILL, KANSAS				UNLESS OTHERWISE SPECIFIED: DIMENSIONS ARE IN INCHES TOLERANCES LINEAR Fractional - 1/32" 0.015 ± 0.15 0.00 ± 0.015 0.000 ± 0.0015 ANGULAR ±0.5 DEG.	
REFERENCE XXXXXX		CellSet, MC/GPS-ICS/Mic		EFFECTIVE sn:	
SIZE B	CADFILE	DWG NO. 95413	REV NO. 1	DRAWN	
SCALE: NONE		FOR ASSISTANCE CONTACT: vox 316-776-1111 fax 316-776-9035		DATE	
SHEET 1 OF 1				CHECKED	DATE

A B C D E F G H J K L M N P

1

2

3

4

5

6

7

8

9