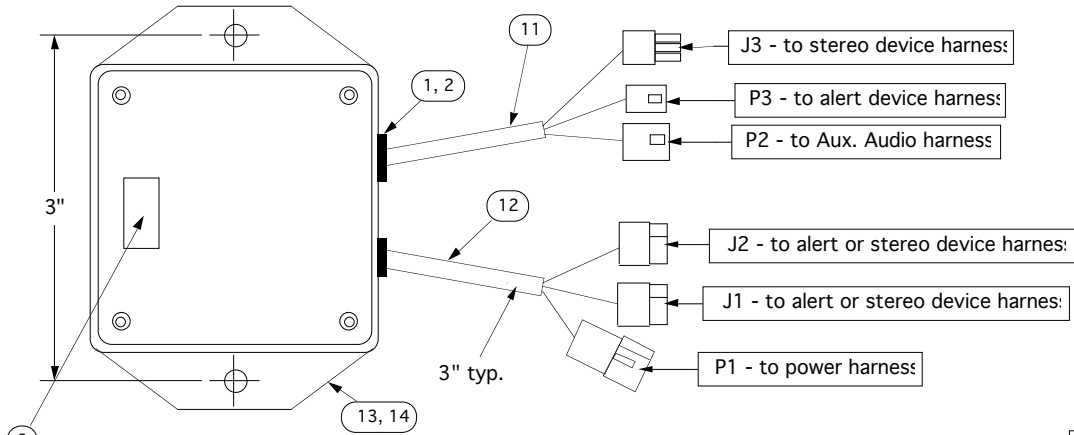
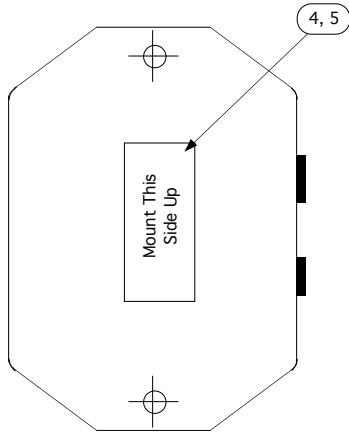


A B C D E F G H J K L M N P

1
2
3
4
5
6
7
8
9



ALL DIMENSIONS ARE APPROXIMATE - FOR REFERENCE ONLY



A B C D E F G H J K L M N P

Rev	Description	by	Date
0	Release	jj	5/30/06

15					
14	85850	0	1	ea	Enclosure, SingleAuxADSet2
13	85847	0	1	ea	Circuit, SingleAuxADSet2
12	85796	0	1	ea	harness, power, gpsmpgset2
11	85793	0	1	ea	Harness, audio, gpsmpgset2
10	85225	1	1	ea	Kit, tie wrap
9	70007	0	1	ea	Bag, Poly, 5"x14"
8	65178	2	1	ea	Usersheet, AuxADSet
7	65005	2	1	ea	cellset product registration
6	65004	2	1	ea	cellset warranty
5	60169	0	1	ea	Label, "This side Up"
4	60049	0	1	ea	label, overlaminating, 1.25 x 3
3	60002	2	1	ea	label, metallized polyester w/laminant
2	30200	0	0.1	mL	Adhesive
1	30024	0	2	ea	grommet, 3/16
Item	Part #	Rev	Qty	Unit	Description

THIS DRAWING IS THE PROPERTY OF THE KENNEDY TECHNOLOGY GROUP, ROSE HILL, KANSAS					
<i>Kennedy Technology</i>				<small>UNLESS OTHERWISE SPECIFIED: DIMENSIONS ARE IN INCHES TOLERANCES</small> <small>LINEAR</small> <small>Fractional - 1/32"</small> <small>0.0 ± 0.15</small> <small>0.00 ± 0.015</small> <small>0.000 ± 0.0015</small> <small>ANGULAR</small> <small>±0.5 DEG.</small>	
REFERENCE	95378R1	SingleAuxADSet			
SIZE	B	CADFILE	DWG NO.	95409	REV NO.
					0
EFFECTIVE			sn:		
SCALE: NONE			FOR ASSISTANCE CONTACT:		
SHEET 1 OF 1			voX 316-776-1111 fax 316-776-9035		
DRAWN		DATE		CHECKED	

1
2
3
4
5
6
7
8
9