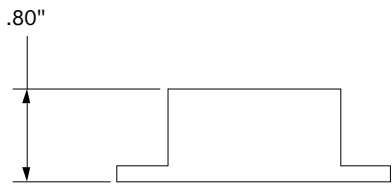
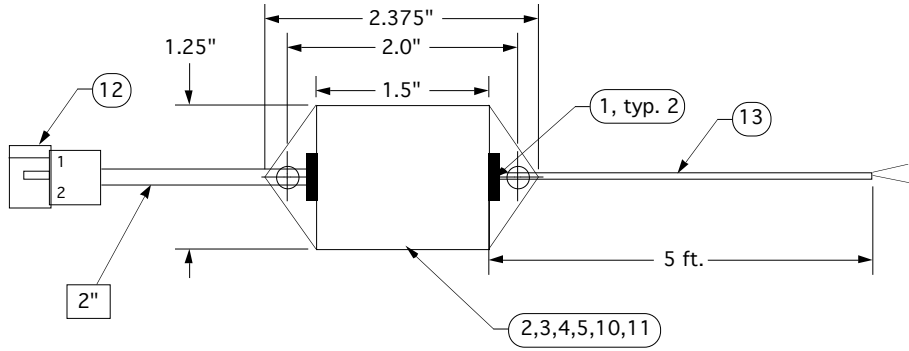
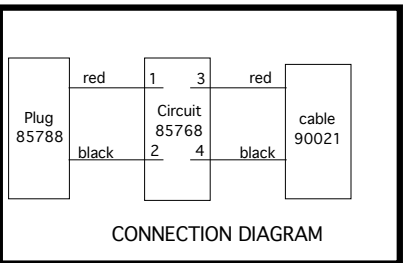


A B C D E F G H J K L M N P

Rev	Description	By	Date
	Release	--	MM/DD/YY



15					
14					
13	90021	0	60	in	cable, two conductor, 22 AWG, black
12	85788	0	1	ea	Pigtail, 2 conductor, 0.062 plug
11	85785	0	1	ea	Enclosure, machined, powerset
10	85768	0	1	ea	Circuit, PowerSet-6V
9	70007	0	1	ea	Bag, Poly, 5"x14"
8	65274	0	0	ea	UserSheet, PowerSet
7	65005	2	1	ea	cellset product registration
6	65004	2	1	ea	cellset warranty
5	60004	5	1	ea	Label, KTG package label
4	60002	2	1	ea	label, metallized polyester w/laminant
3	55051	0	1	ea	Cover, for TF-1218TX, black
2	30200	0	0.1	mL	Adhesive
1	30025	0	2	ea	grommet, 1/8"
Item	Part #	Rev	Qty	Unit	Description



**THIS DRAWING IS THE PROPERTY OF THE KENNEDY TECHNOLOGY GROUP, ROSE HILL, KANSAS**

*Kennedy Technology*

REFERENCE: 85786 PowerSet-6Vdc

UNLESS OTHERWISE SPECIFIED:  
DIMENSIONS ARE IN INCHES  
**TOLERANCES**  
LINEAR  
Fractional - 1/32"  
0.0 ± 0.15  
0.00 ± 0.015  
0.000 ± 0.0015  
ANGULAR  
±0.5 DEG.

SIZE	CADFILE	DWG NO.	REV NO.	EFFECTIVE
B		95395	0	sn:
SCALE: NONE			FOR ASSISTANCE CONTACT:	
SHEET 1 OF 1			voX 316-776-1111 fax 316-776-9035	
DRAWN		DATE		
CHECKED		DATE		

A B C D E F G H J K L M N P