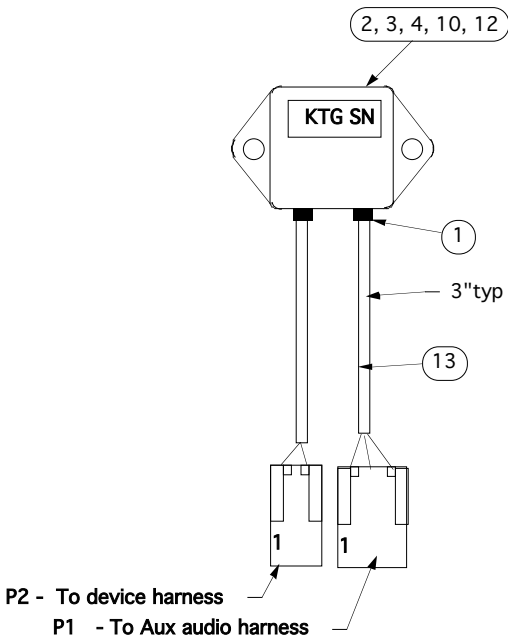


A B C D E F G H J K L M N P

Rev	Description	by	Date
0	Release	jj	11/29/05



Item	Part #	Rev	Qty	Unit	Description
15					
14					
13	85806	0	1	ea	Pigtail, micro-fit, plug, 3 circuit
12	85805	0	0.5	ea	Circuit, AuxSet2
11	85473	1	1	ea	Pigtail, plug, micro-fit, 2 circuit, 4"
10	85327	0	1	ea	Box, machined, RadarSet
9	85225	1	1	ea	Kit, tie wrap
8	70007	0	1	ea	Bag, Poly, 5"x14"
7	65177	1	1	ea	Usersheet, AuxSet2
6	65005	2	1	ea	cellset product registration
5	65004	2	1	ea	cellset warranty
4	60002	2	1	ea	label, metallized polyester w/laminant
3	55045	0	1	ea	lid, polycase, for 1175TX
2	30200	0	0.1	mL	Adhesive
1	30025	0	2	ea	grommet, 1/8"

THIS DRAWING IS THE PROPERTY OF THE KENNEDY TECHNOLOGY GROUP, ROSE HILL, KANSAS

Kennedy Technology

UNLESS OTHERWISE SPECIFIED:
DIMENSIONS ARE IN INCHES
TOLERANCES

LINEAR
 0.0 ± 0.15
 0.00 ± 0.015
 0.000 ± 0.0015

ANGULAR
 ±0.5 DEG.

REFERENCE		95251		AuxSet2		sn:	
SIZE	CADFILE	DWG NO.	95391	REV NO.	0	EFFECTIVE	
SCALE: NONE			FOR ASSISTANCE CONTACT:			DRAWN	
SHEET 1 OF 1			vox 316-776-1111			DATE	
			fax 316-776-9035			CHECKED	
						DATE	

A B C D E F G H J K L M N P