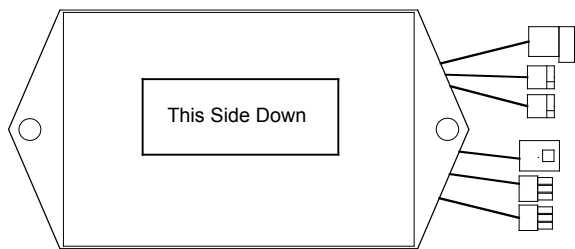
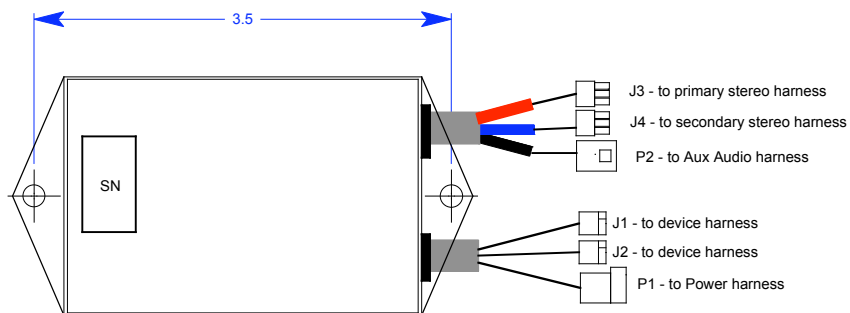


A B C D E F G H J K L M N P

1  
2  
3  
4  
5  
6  
7  
8  
9



A B C D E F G H J K L M N P

THIS DRAWING IS THE PROPERTY OF THE KENNEDY TECHNOLOGY GROUP, ROSE HILL, KANSAS			
<h2 style="text-align: center;">Kennedy Technology</h2>		<small>UNLESS OTHERWISE SPECIFIED: DIMENSIONS ARE IN INCHES TOLERANCES LINEAR Fractional - 1/32" 0.0 ± 0.15 0.00 ± 0.015 0.000 ± 0.0015 ANGULAR ±0.5 DEG.</small>	
		<small>REFERENCE</small> XXXXXX	AuxSwitchSet3
<small>SIZE</small> B	<small>CADFILE</small>	<small>DWG NO.</small> 95375	<small>REV NO.</small> 3
<small>SCALE: NONE</small>		<small>EFFECTIVE</small> sn:	
<small>SHEET 1 OF 1</small>		<small>FOR ASSISTANCE CONTACT:</small> vox 316-776-1111 fax 316-776-9035	
<small>CHECKED</small>		<small>DATE</small>	

1  
2  
3  
4  
5  
6  
7  
8  
9