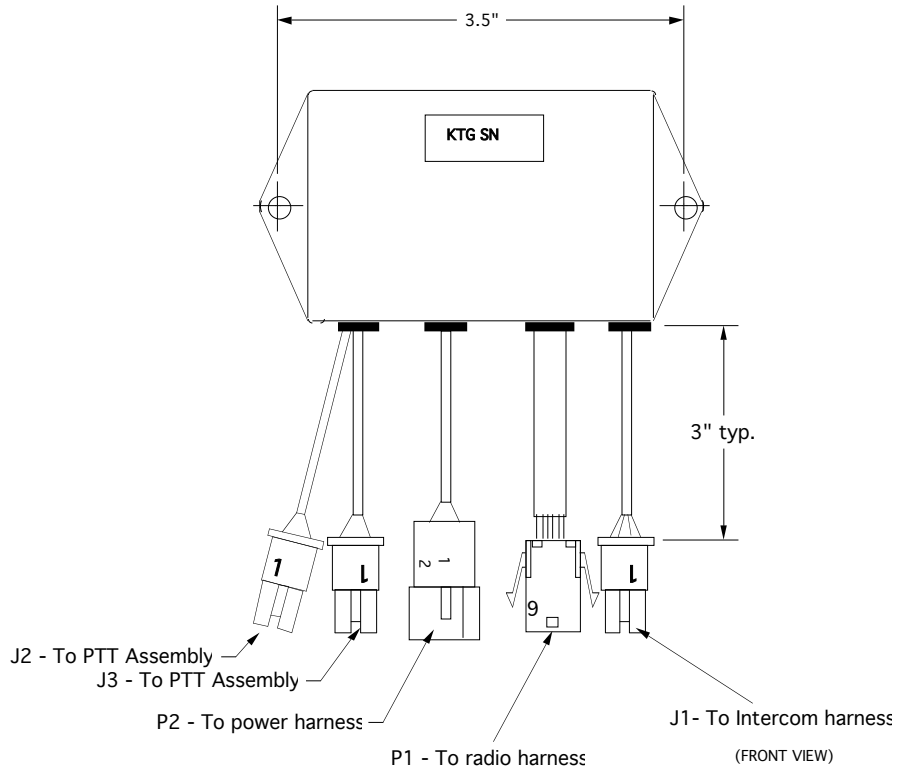


A B C D E F G H J K L M N P

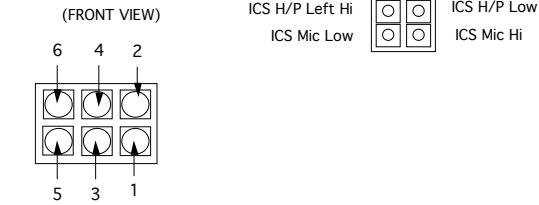
1
2
3
4
5
6
7
8
9

Rev	Description	by	Date
0	Release	jj	8/22/05

1
2
3
4
5
6
7
8
9



Pin	Signal
1	Mic Hi
2	Mic Lo
3	Radio Out Hi
4	Radio Out Lo
5	PTT Hi
6	PTT Lo



THIS DRAWING IS THE PROPERTY OF THE KENNEDY TECHNOLOGY GROUP, ROSE HILL, KANSAS

Kennedy Technology

UNLESS OTHERWISE SPECIFIED:
DIMENSIONS ARE IN INCHES
TOLERANCES
LINEAR
Fractional ± 1/32"
0.0 ± 0.15
0.00 ± 0.015
0.000 ± 0.0015
ANGULAR
± 0.5 DEG.

REFERENCE	95336	FRSet4
SIZE	B	CADFILE
DWG NO.	95367	REV NO.
EFFECTIVE	sn:	DATE
SCALE: NONE	FOR ASSISTANCE CONTACT:	DRAWN
SHEET 1 OF 1	vox 316-776-1111 fax 316-776-9035	DATE

A B C D E F G H J K L M N P