

A B C D E F G H J K L M N P

1

2

3

4

5

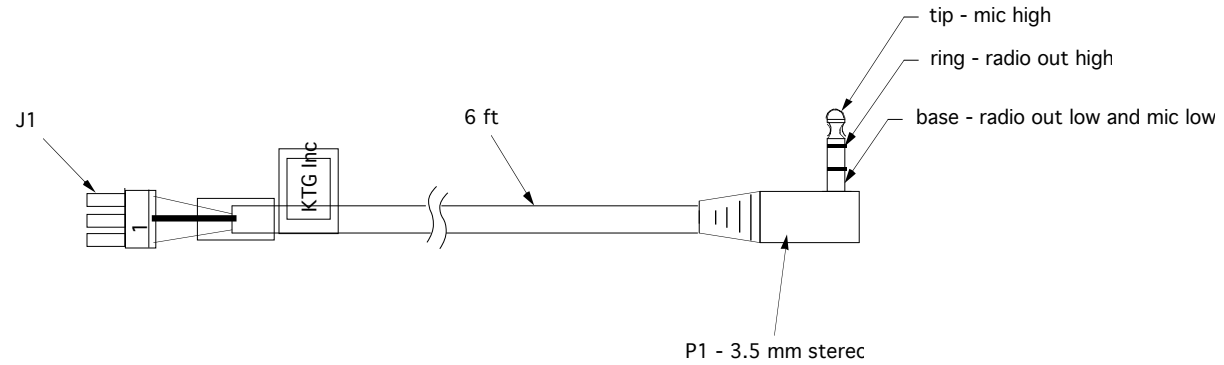
6

7

8

9

Rev	Description	by	Date
0	Release	mn	04/27/04



To key radio transmitter: Connect Mic high to radio out low via a 2.2k Ohm resistor

THIS DRAWING IS THE PROPERTY OF THE KENNEDY TECHNOLOGY GROUP, ROSE HILL, KANSAS			
<i>Kennedy Technology</i>		<small>UNLESS OTHERWISE SPECIFIED: DIMENSIONS ARE IN INCHES TOLERANCES LINEAR Fractional - 1/32" 0.0 ± 0.15 0.00 ± 0.015 0.000 ± 0.0015 ANGULAR ±0.5 DEG.</small>	
REFERENCE	95272	RADIO HARNESS, SPTA-3.5	
SIZE	B	CADFILE	
DWG NO.	95331	REV NO.	0
EFFECTIVE		SN:	
SCALE: NONE		FOR ASSISTANCE CONTACT:	
SHEET 1 OF 1		vox 316-776-1111 fax 316-776-9035	
DRAWN		DATE	
CHECKED		DATE	

A B C D E F G H J K L M N P