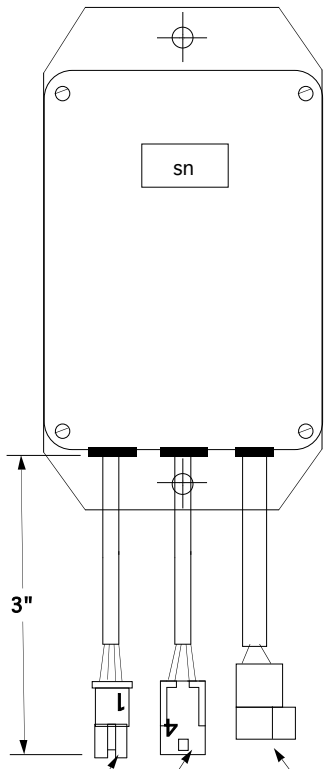


A B C D E F G H J K L M N P

Rev	Description	by	Date
0	Release	mn	06/10/2004

1
2
3
4
5
6
7
8
9



J1 - To type 2 intercom harness

P1 - To cell phone harness

P2 - To power harness

THIS DRAWING IS THE PROPERTY OF THE KENNEDY TECHNOLOGY GROUP, ROSE HILL, KANSAS

Kennedy Technology

UNLESS OTHERWISE SPECIFIED:
DIMENSIONS ARE IN INCHES
TOLERANCES
LINEAR
Fractional - 1/32"
0.0 ± 0.15"
0.00 ± 0.015
0.000 ± 0.0015
ANGULAR
±0.5 DEG.

REFERENCE	Enclosure, Amp	
95229		

EFFECTIVE sn: 10900

SIZE	CADFILE	DWG NO.	REV NO.
B		95297	0

SCALE: NONE
SHEET 1 OF 1
FOR ASSISTANCE CONTACT:
vox 316-776-1111
fax 316-776-9035

DRAWN	DATE
CHECKED	DATE

A B C D E F G H J K L M N P