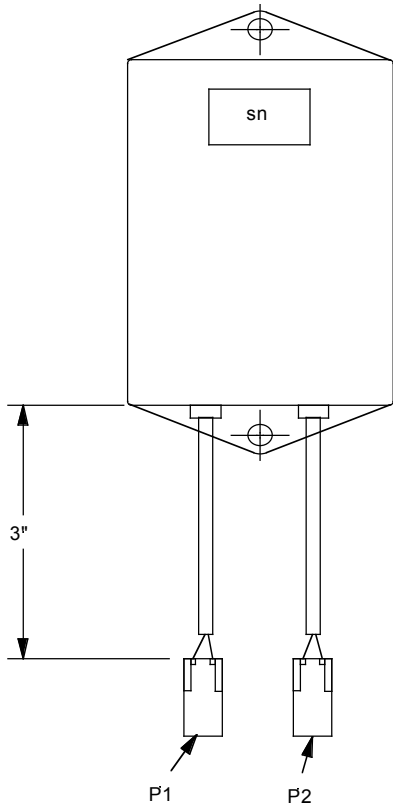


A B C D E F G H J K L M N P



Note:
P1 audio to Rider only
P2 audio to Rider and Passenger

THIS DRAWING IS THE PROPERTY OF THE KENNEDY TECHNOLOGY GROUP, ROSE HILL, KANSAS				UNLESS OTHERWISE SPECIFIED: DIMENSIONS ARE IN INCHES TOLERANCES LINEAR Fractional - 1/32" 0.015 ± 0.015 0.001 ± 0.015 0.000 ± 0.0015 ANGULAR ±0.5 DEG.
REFERENCE XXXXXX		DualSet Harley		
SIZE B	CADFILE	DWG NO. 95282	REV NO. 1	EFFECTIVE sn:
SCALE: NONE		FOR ASSISTANCE CONTACT: vox 316-776-1111 fax 316-776-9035		DRAWN DATE
SHEET 1 OF 1				CHECKED DATE

A B C D E F G H J K L M N P