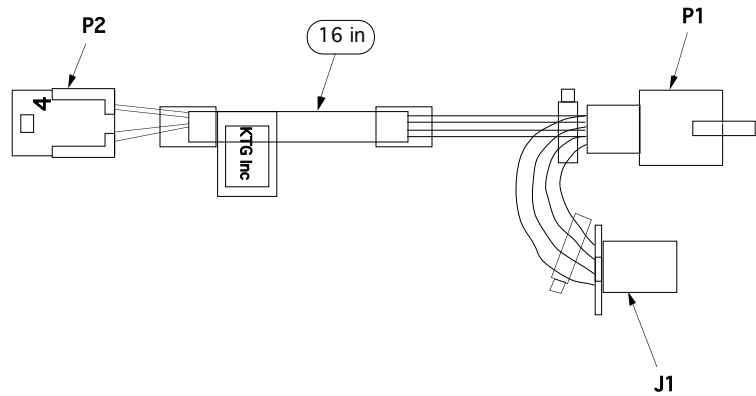


Rev.	Description	by	Date
0	Release	mn	04/26/04



<b>THIS DRAWING IS THE PROPERTY OF THE KENNEDY TECHNOLOGY GROUP, ROSE HILL, KANSAS</b>			
<i>Kennedy Technology</i>		<small>UNLESS OTHERWISE SPECIFIED: DIMENSIONS ARE IN INCHES</small> <b>TOLERANCES</b> <small>LINEAR</small> Fractional - 1/32" 0.0 ± 0.15 0.00 ± 0.015 0.000 ± 0.0015 <small>ANGULAR</small> ±0.5 DEG.	
REFERENCE XXXXX	Intercom Harness, GL 1800, Type 2		EFFECTIVE sn:
SIZE <b>B</b>	CADFILE	DWG NO. <b>95258</b>	REV NO. <b>0</b>
<b>SCALE: NONE</b>		FOR ASSISTANCE CONTACT: vox 316-776.1111 fax 316-776.9035	CHECKED DATE
<b>SHEET 1 OF 1</b>			DESIGN DATE