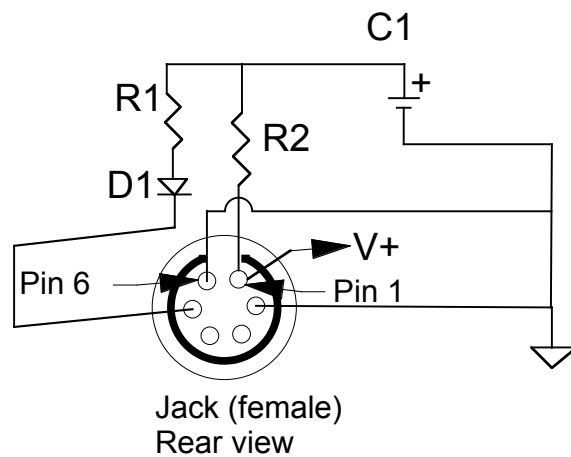


Rev	Description	by	date

Pin	Signal
1	Power
2	Ground
3	Comm Left
4	Comm right
5	ICS mic Hi
6	ICS mic Low



V+	R1
24	2200Ω
12	1000Ω

D1 - 1N914
C1 - 220μF 35V
R2 - 47Ω

All resistors
are 1/8 Watt
minimum

THIS DRAWING IS THE PROPERTY OF THE KENNEDY TECHNOLOGY GROUP, ROSE HILL, KANSAS

Kennedy Technology

UNLESS OTHERWISE SPECIFIED:
DIMENSIONS ARE IN INCHES
TOLERANCES
LINEAR
Fractional - 1/32"
0.0 ± 0.15
0.00 ± 0.015
0.000 ± 0.0015
ANGULAR
±0.5 DEG.

REFERENCE

00000

Bose mic
bias

SIZE

A

CADFILE

DWG NO.

65540

REV NO.

0

EFFECTIVE

sn:

SCALE: NONE

FOR ASSISTANCE CONTACT:

vox 316-776.1111
fax 316-776.9035

CHECKED

DATE

SHEET 1 OF 1

DESIGN

DATE