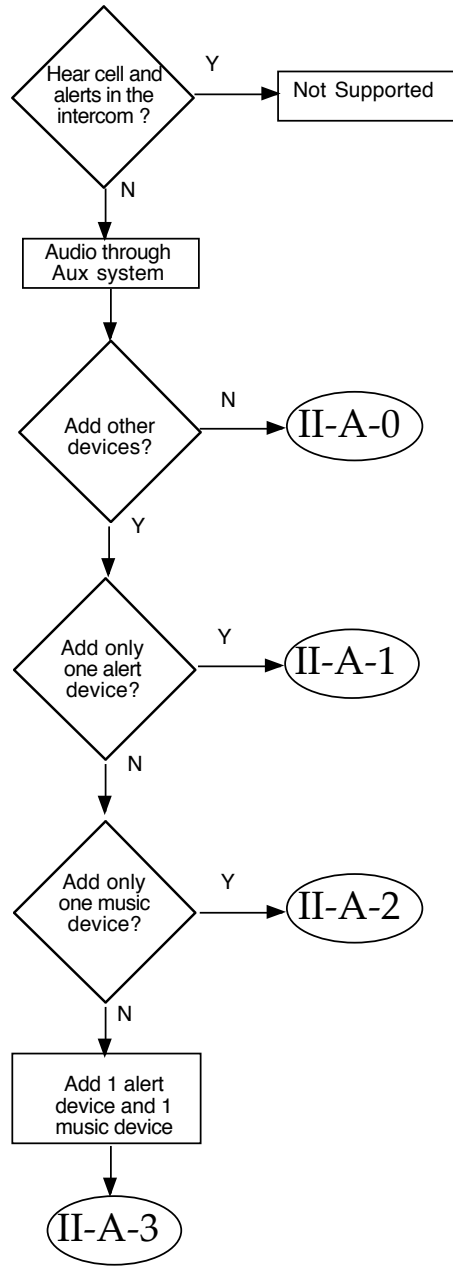
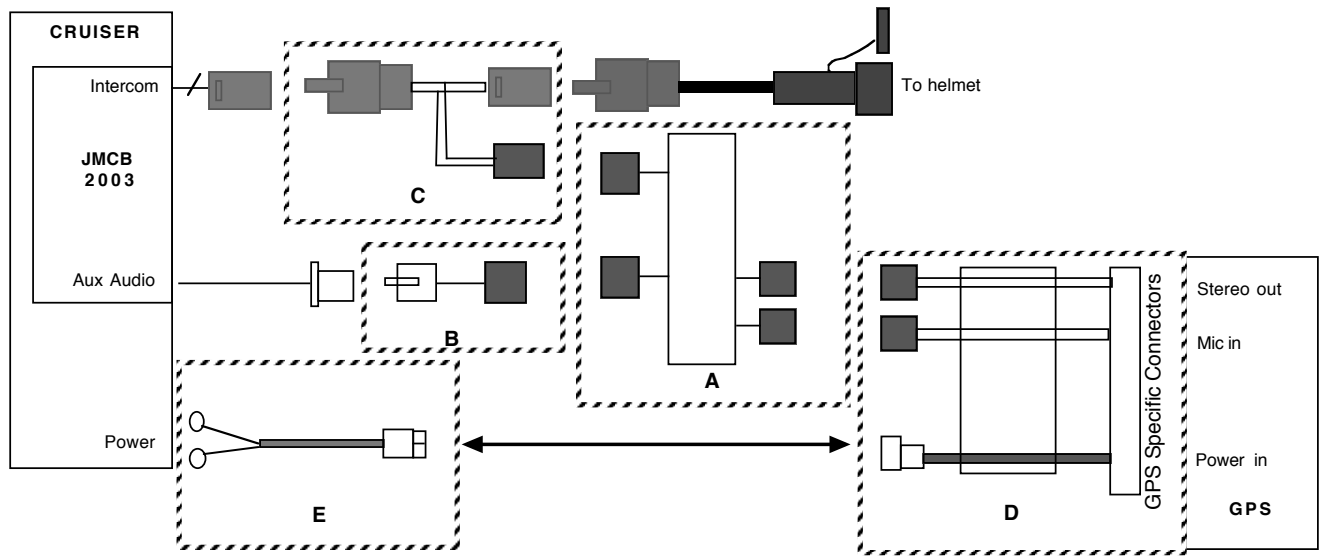


II - GPS and Cell phone (with or without Music)

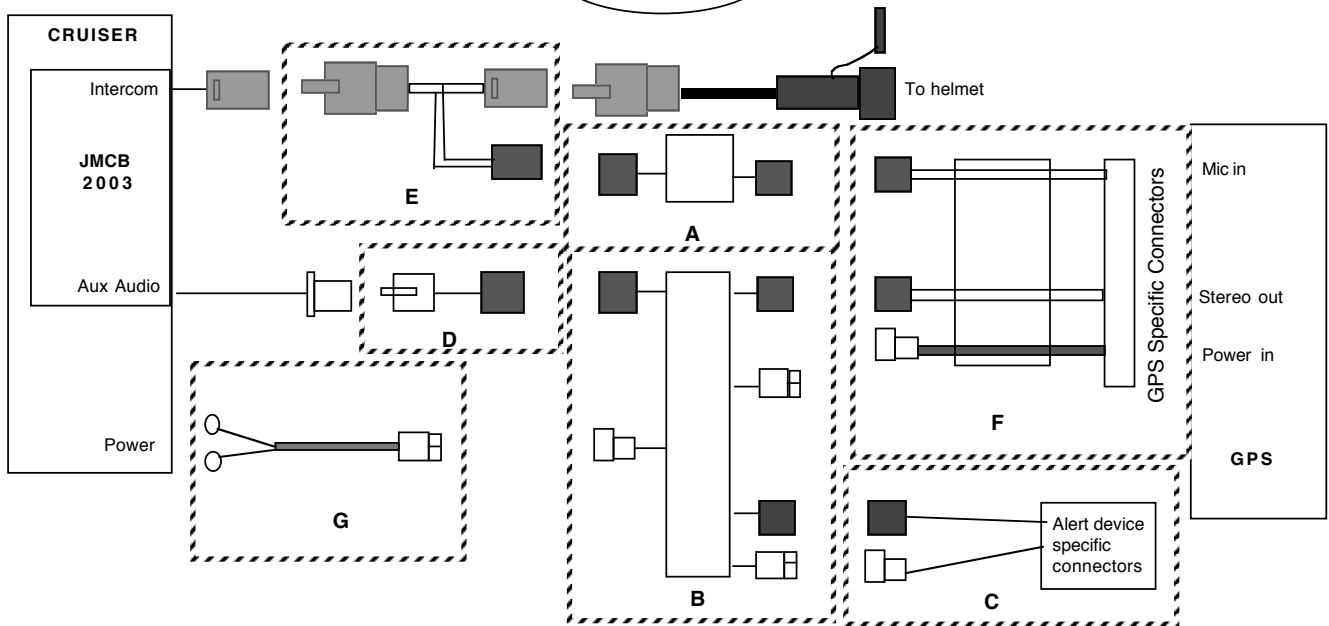


II-A-0



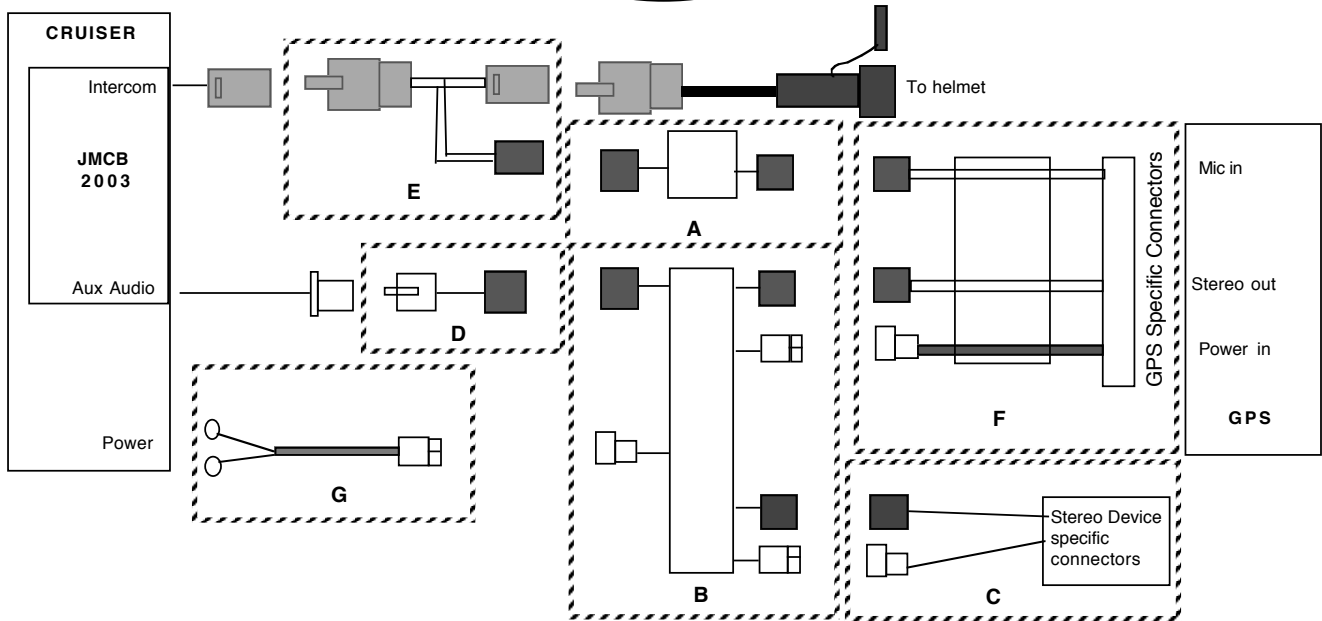
Item	Part number	Description
A	95415	CellSet, MC/GPS-AUX/MIC
B	95463	JMCB/HLC Aux audio harness
C	95462	JMCB/HLC intercom harness
D	VBD	GPS harness. See table, "Required Harnesses for 'II' configuration guide", previous web page
E	95299	Universal power harness

II-A-1



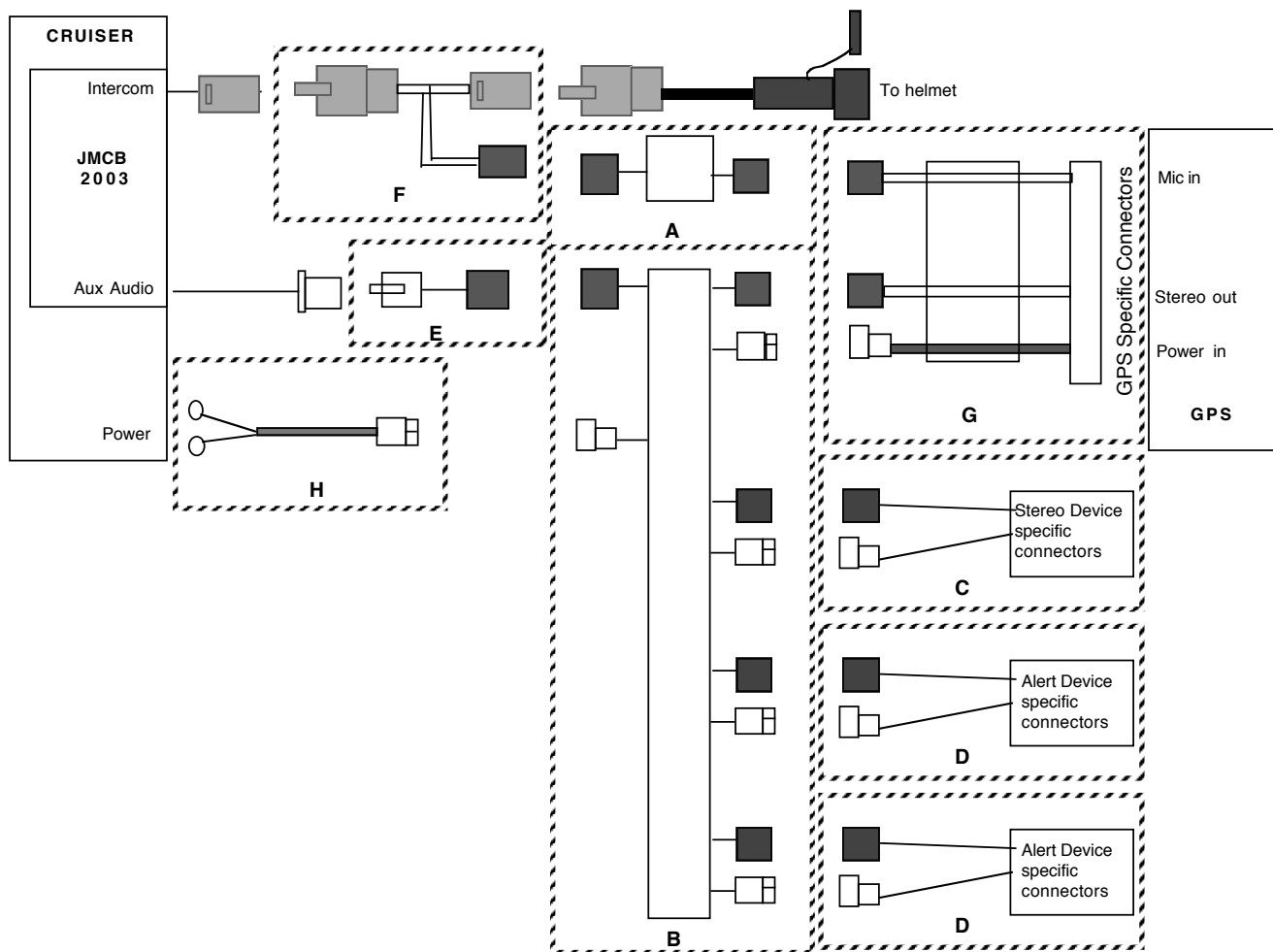
Item	Part number	Description
A	95416	CellSet, MC/GPS-MIC
B	95409	SingleAuxADSet
C	VBD	Alert Device Harness
D	95463	JMCB/HLC Aux audio harness
E	95462	JMCB/HLC intercom harness
F	VBD	GPS harness. See table, "Required Harnesses for 'II' configuration guide", previous web page
G	95299	Universal power harness

II-A-2



Item	Part number	Description
A	95416	CellSet, MC/GPS-MIC
B	95375	AuxSwitchSet
C	VBD	Stereo Device Harness
D	95463	JMCB/HLC Aux audio harness
E	95462	JMCB/HLC intercom harness
F	VBD	GPS harness. See table, "Required Harnesses for 'I' configuration guide", previous web page
G	95299	Universal power harness

II-A-3



Item	Part number	Description
A	95416	CellSet, MC/GPS-MIC
B	95369	DualAuxADSet
C	VBD	Stereo Device Harness
D	VBD	Alert Device Harness
E	95463	JMCB/HLC Aux audio harness
F	95462	JMCB/HLC intercom harness
G	VBD	GPS harness. See table, "Required Harnesses for 'II' configuration guide", previous web page
H	95299	Universal power harness