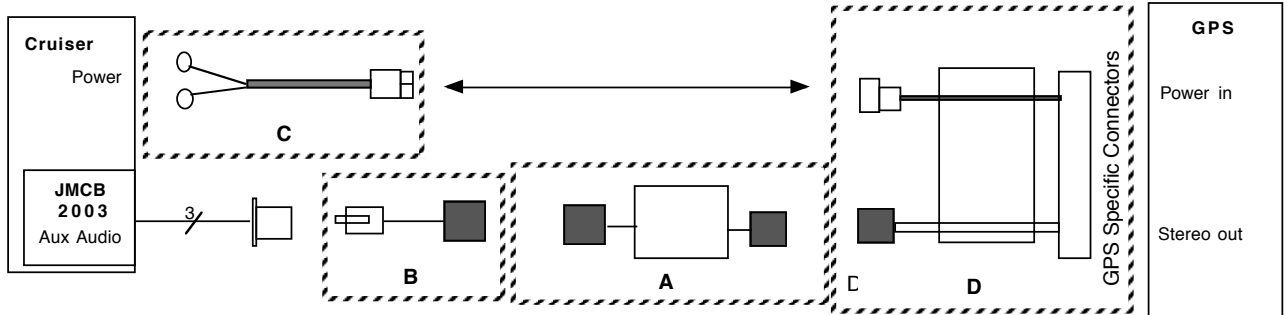


Audio System: JMCB 2003  
 GPS: Stereo capable. Cell phone either not used or not supported.

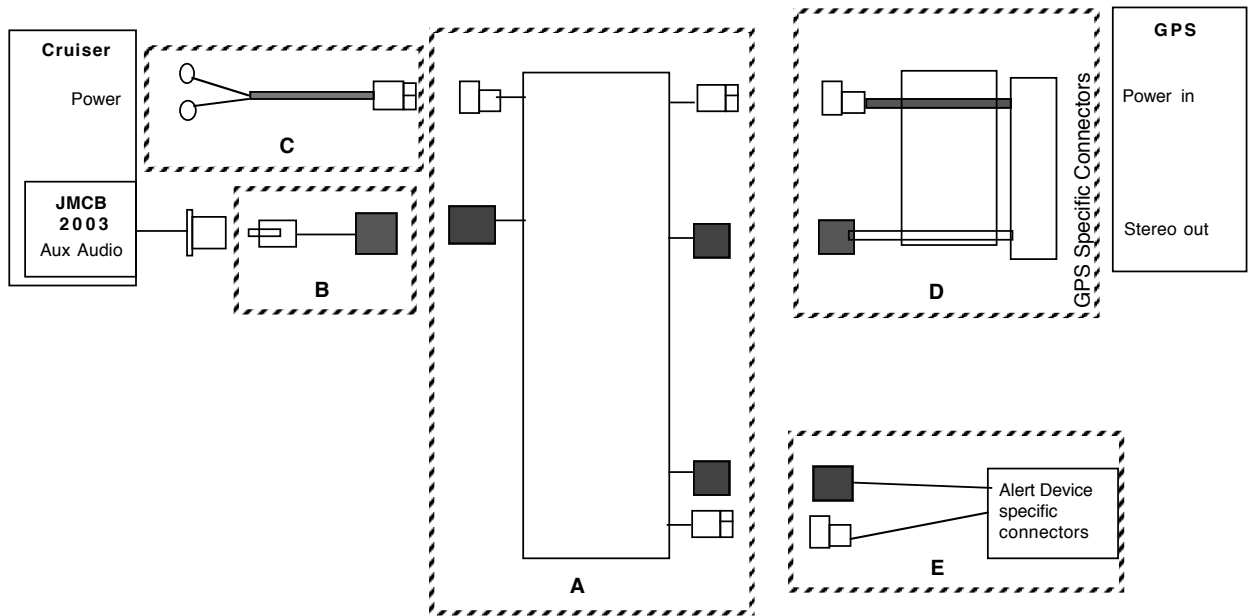
**I-A-0**



Item	Part number	Description
A	95376	IsoSet2
B	95463	JMCB/HLC Aux Audio Harness
C	95299	Universal power harness
D	VBD	GPS harness, see table, "Required Harnesses for 'I' configuration guide", previous web page

Audio System: JMCB 2003  
 GPS: Stereo capable. Cell phone either not used or not supported.

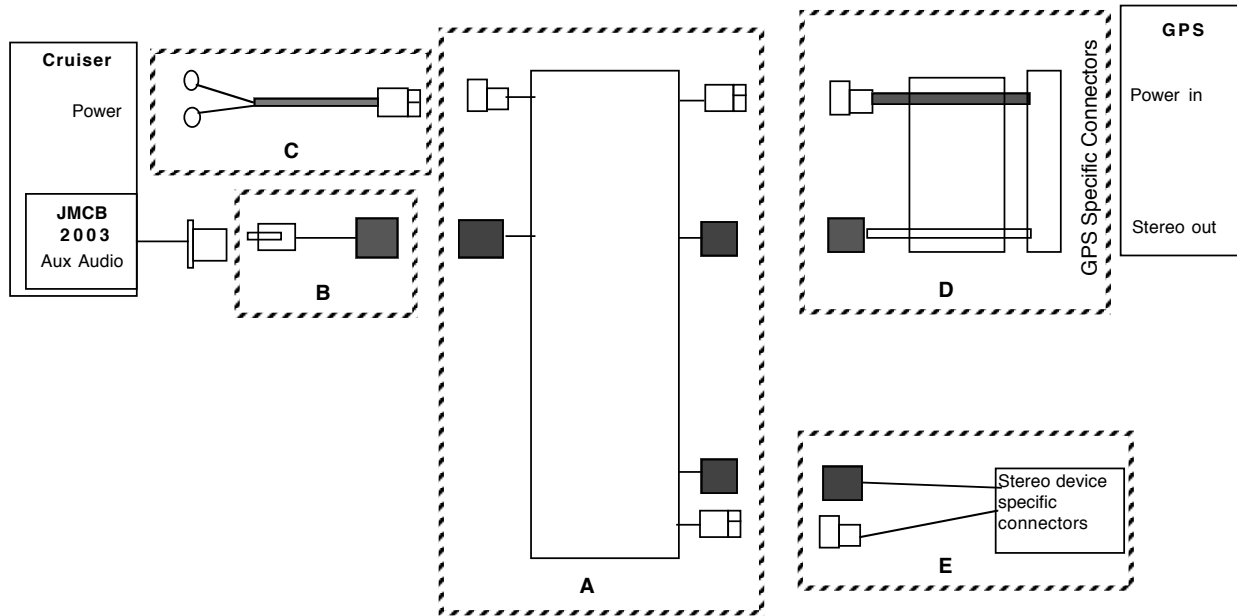
**I-A-1**



Item	Part number	Description
A	95409	SingleAuxADSet
B	95463	JMCB/HLC Aux Audio Harness
C	95299	Universal power harness
D	VBD	GPS harness, see table, "Required Harnesses for 'I' configuration guide", previous web page
E	VBD	Alert Device Harness

Audio System: JMCB 2003  
 GPS: Stereo capable. Cell phone either not used or not supported.

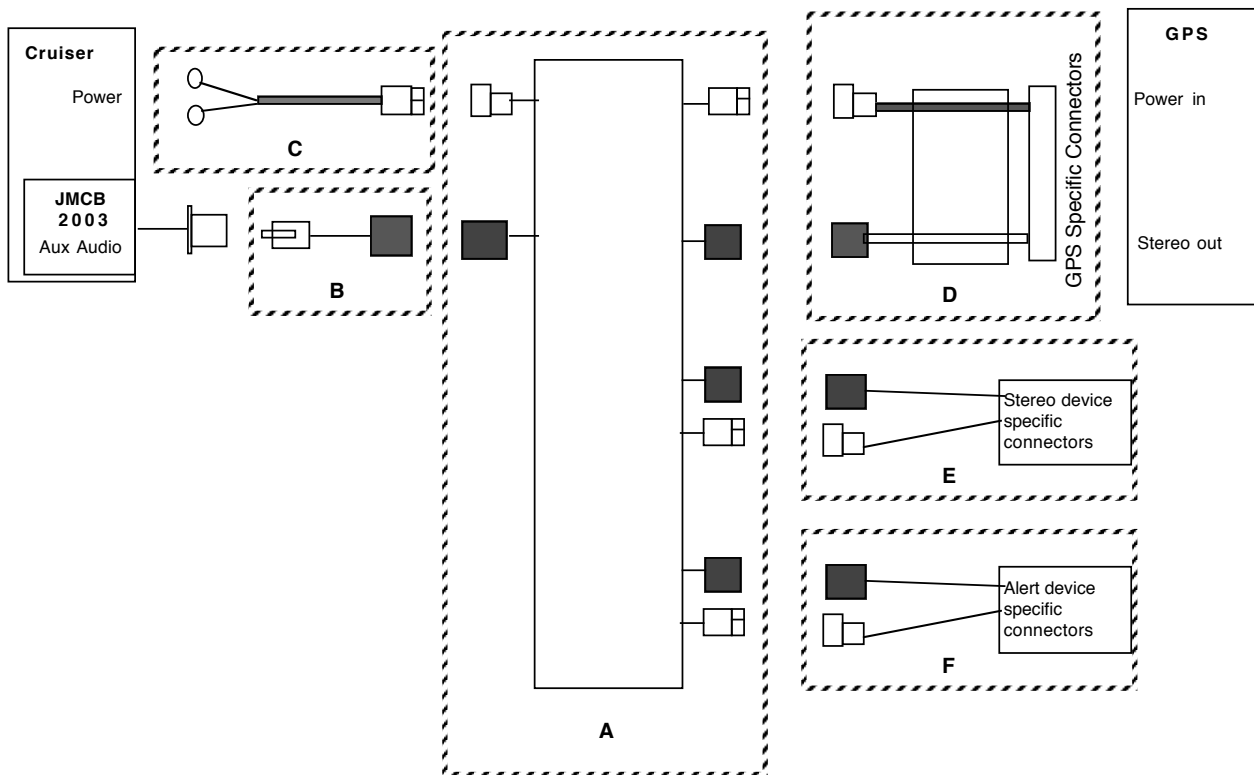
I-A-2



Item	Part number	Description
A	95375	AuxSwitchSet
B	95463	JMCB/HLC Aux Audio Harness
C	95299	Universal power harness
D	VBD	GPS harness, see table, "Required Harnesses for 'I' configuration guide", previous web page
E	VBD	Stereo Device Harness

Audio System: JMCB 2003  
 GPS: Stereo capable. Cell phone either not used or not supported.

I-A-3



Item	Part number	Description
A	95369	DualAuxADSet
B	95463	JMCB/HLC Aux Audio Harness
C	95299	Universal power harness
D	VBD	GPS harness, see table, "Required Harnesses for 'I' configuration guide", previous web page
E	VBD	Stereo Device Harness
F	VBD	Alerts Device Harness