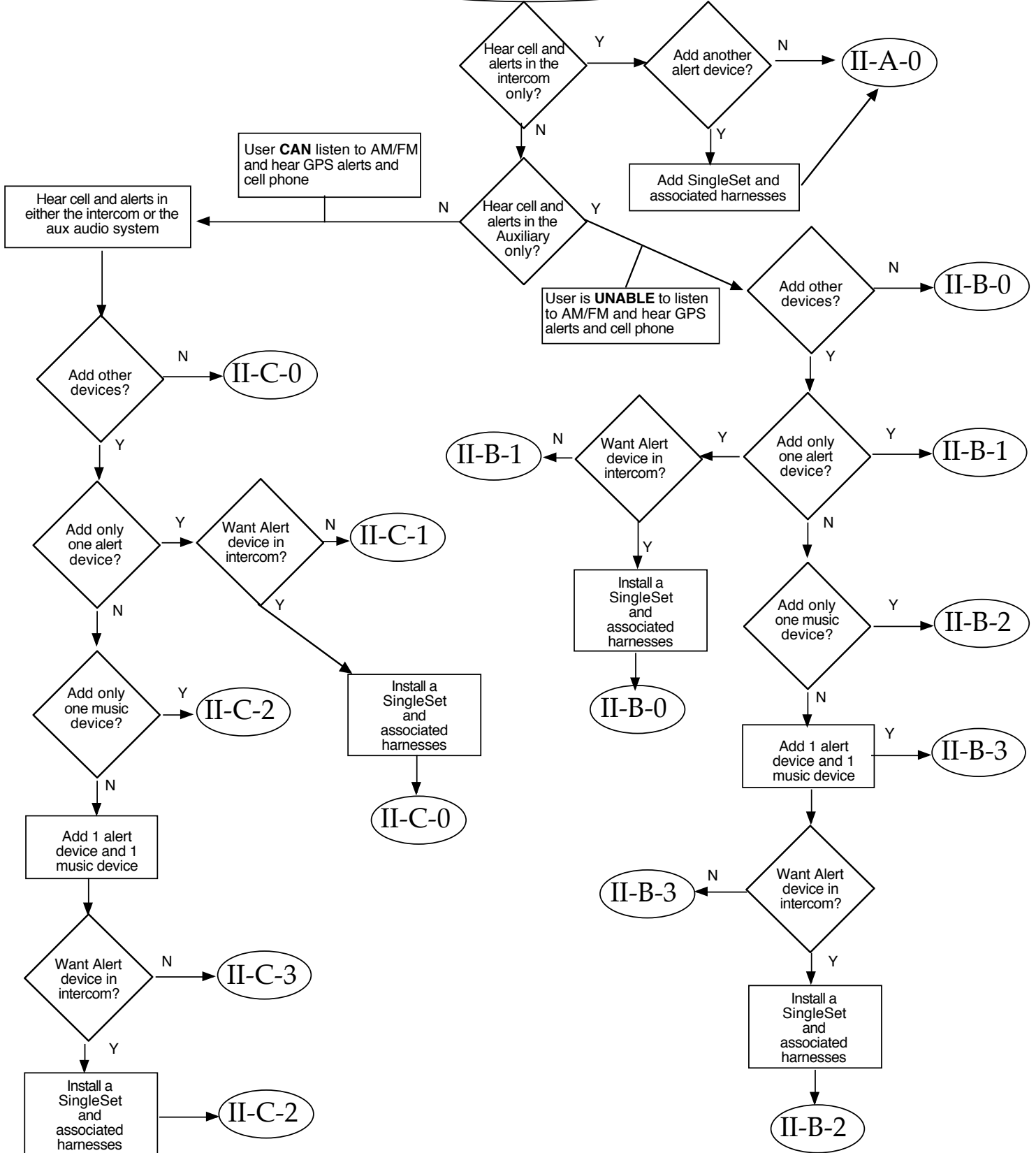
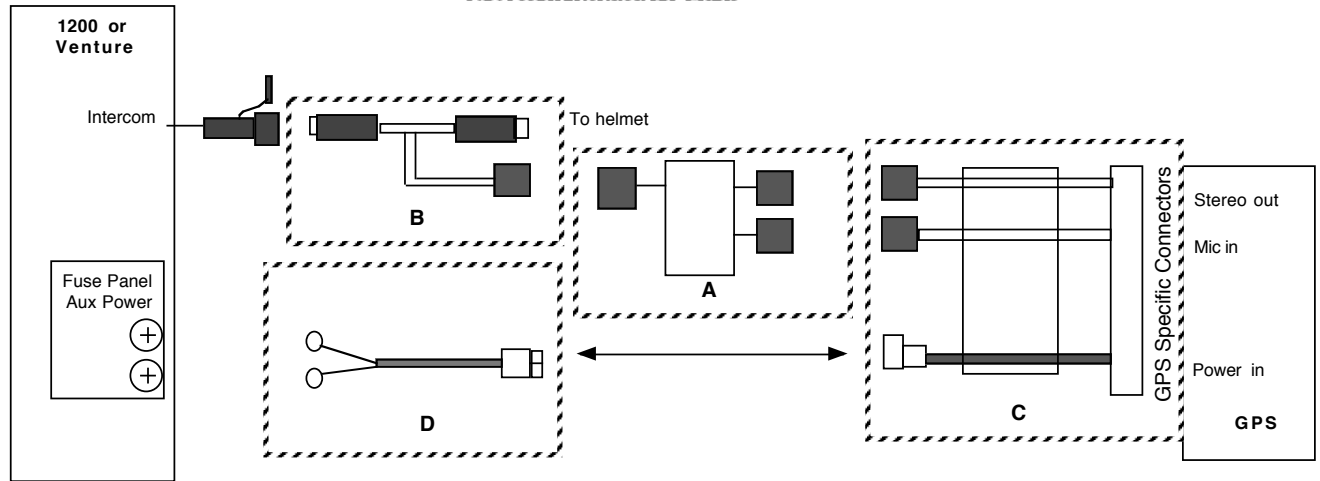


II - GPS and Cell phone
 (with or without Music)



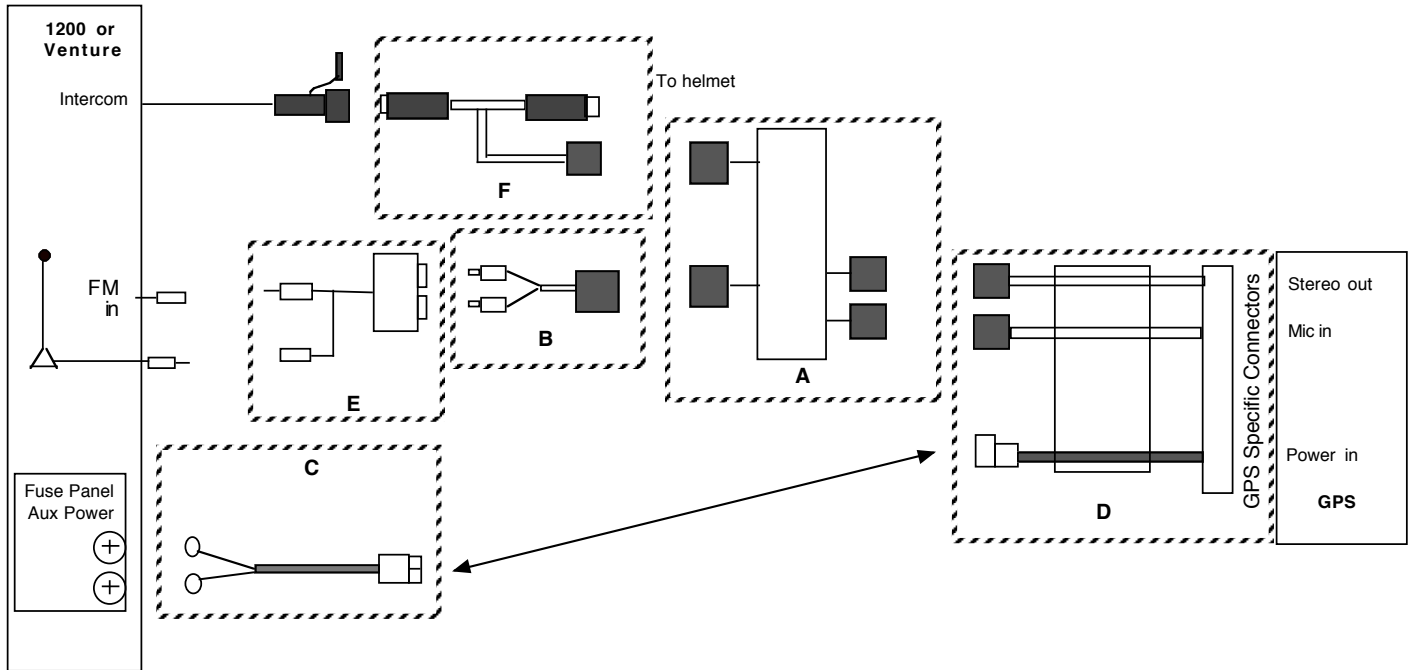
II-A-0

Not recommended for Music



Item	Part number	Description
A	95413	CellSet MC/GPS-ICS/MIC
B	95261	FPD Type 2 intercom harness
C	VBD	GPS harness. See table, "Required Harnesses for 'II' configuration guide", previous web page
D	95299	Universal power harness

II-B-0



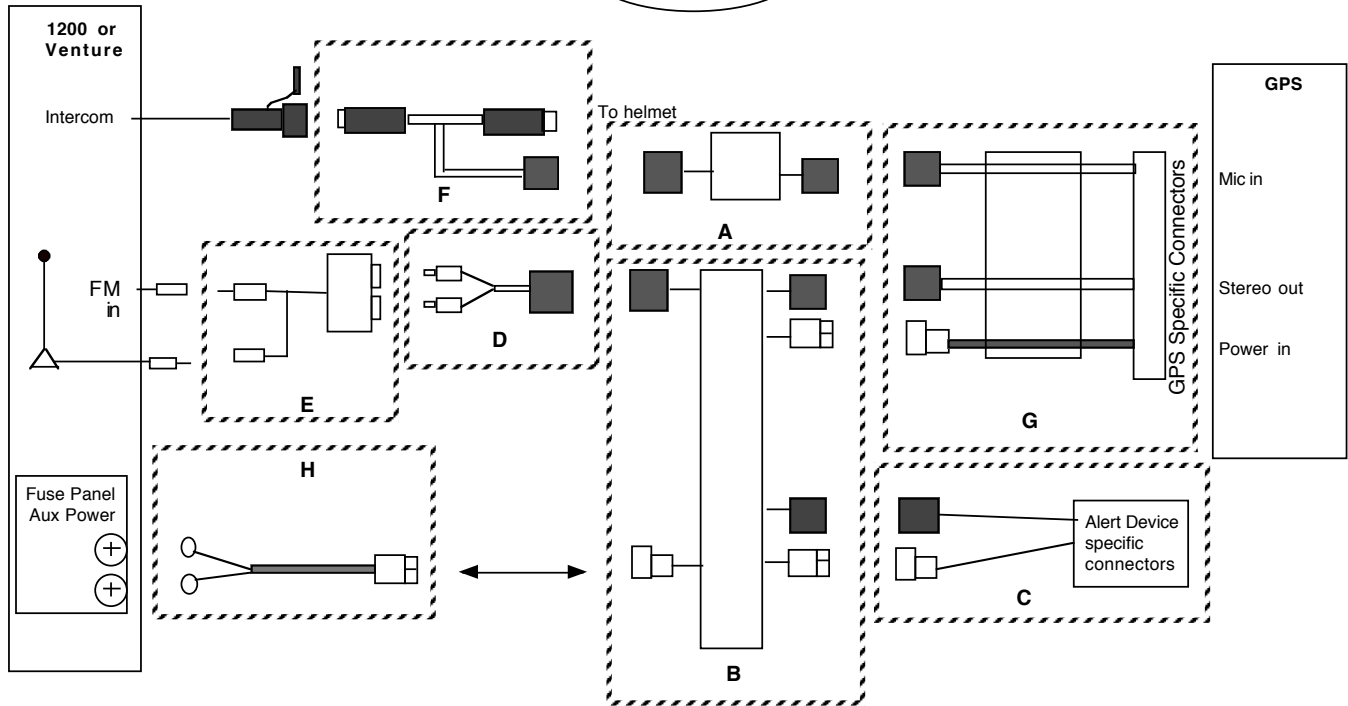
Item	Part number	Description
A	95415	CellSet, MC/GPS-AUX/MIC
B	95442	FM Modulator Aux audio harness
C	95299	Universal power harness
D	VBD	GPS harness. See table, "Required Harnesses for 'II' configuration guide", previous web page
E	92084	FM Modulator
F	95261	FPD Type 2 intercom harness

Note: For Cassette adapter interface:
 delete Item E.
 replace B with 95389

Cassette adapter is user supplied

Bike: 1200 and Voyager
 GPS: Cell phone capable

II-B-1



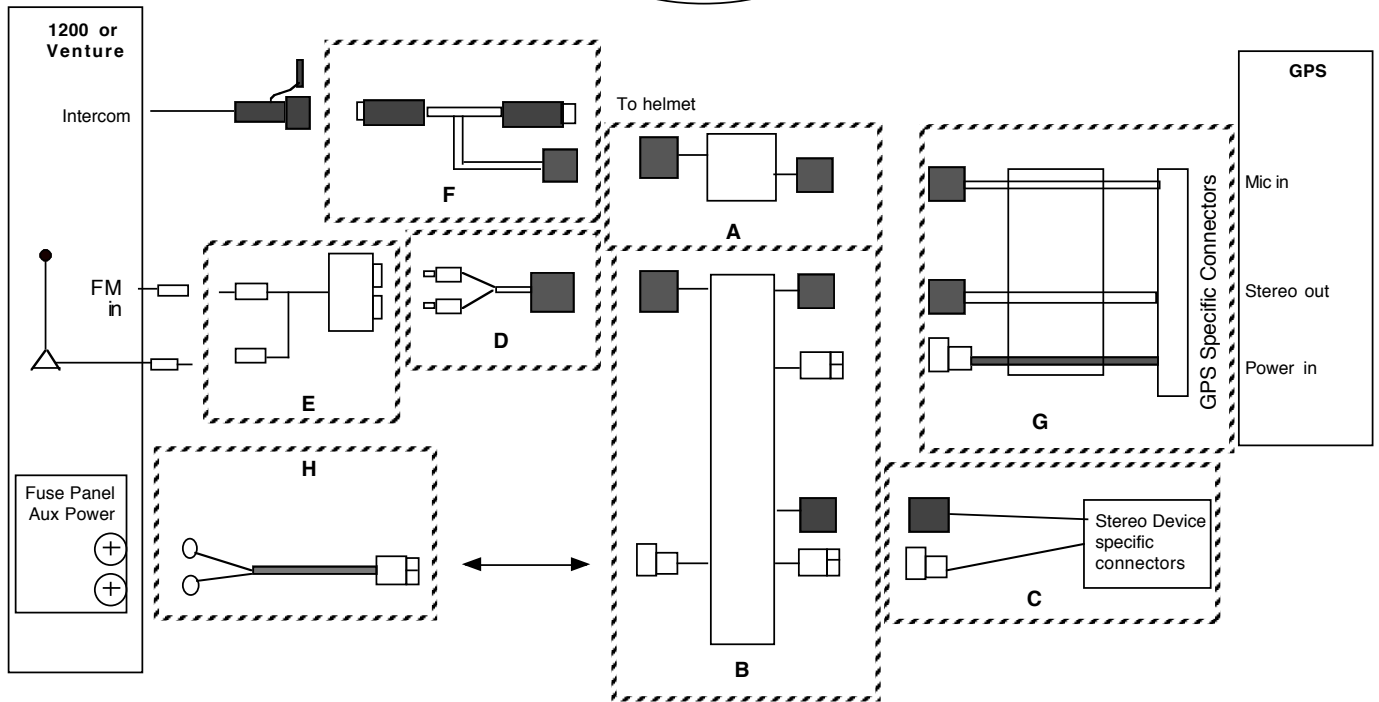
Item	Part number	Description
A	95416	CellSet, MC/GPS-MIC
B	95409	SingleAuxADSet
C	VBD	Alert Device Harness
D	95442	FM Modulator Aux audio harness
E	92084	FM Modulator
F	95261	FPD Type 2 intercom harness
G	VBD	GPS harness. See table, "Required Harnesses for 'II' configuration guide", previous web page
H	95299	Universal power harness

Note: For Cassette adapter interface:
 delete Item E.
 replace D with 95389

Cassette adapter is user supplied

Bike: 1200 and Voyager
 GPS: Cell phone capable

II-B-2



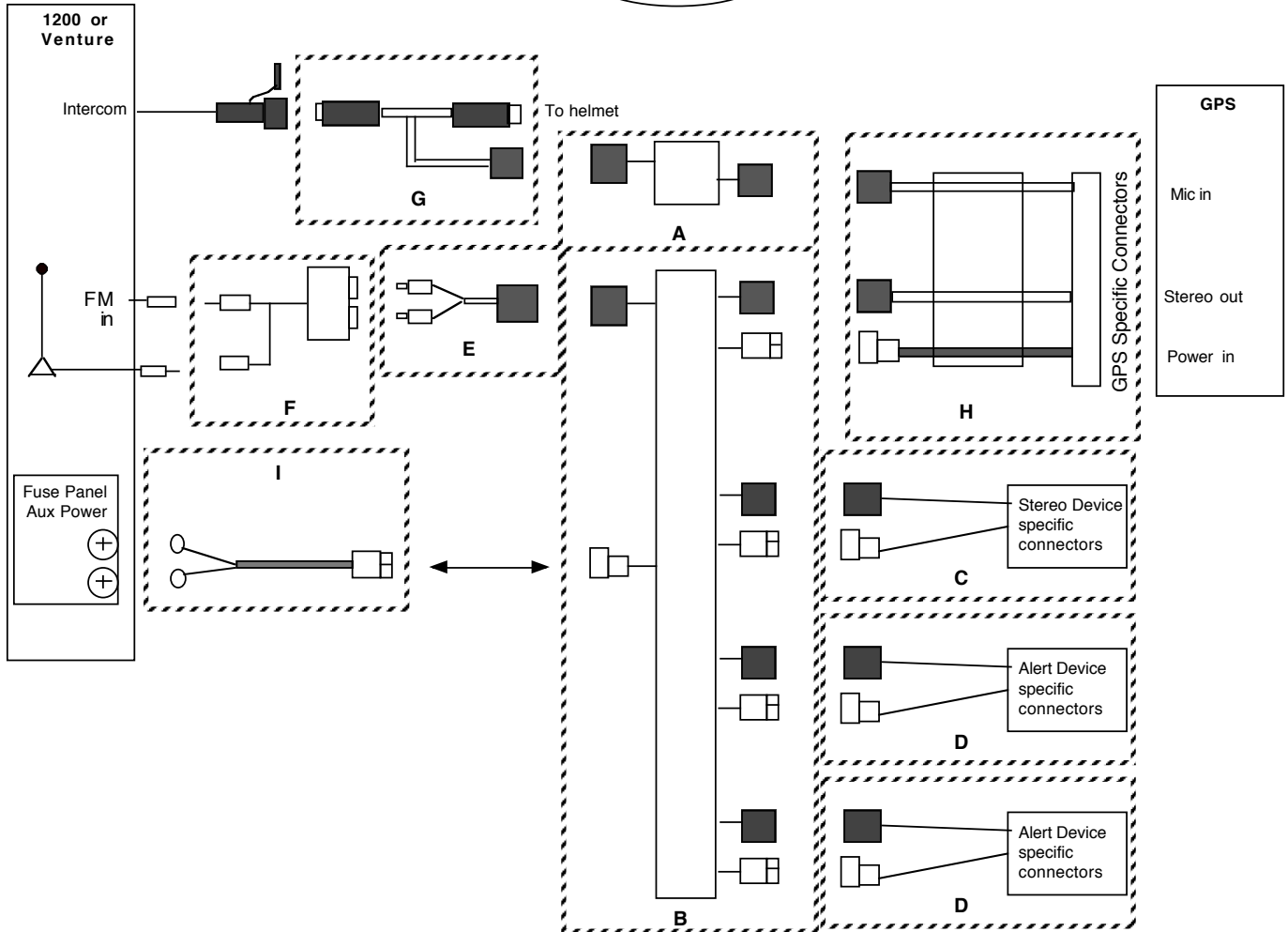
Item	Part number	Description
A	95416	CellSet, MC/GPS-MIC
B	95375	AuxSwitchSet
C	VBD	Stereo Device Harness
D	95442	FM Modulator Aux audio harness
E	92084	FM Modulator
F	95261	FPD Type 2 intercom harness
G	VBD	GPS harness. See table, "Required Harnesses for 'II' configuration guide", previous web page
H	95299	Universal power harness

Note: For Cassette adapter interface:
 delete Item E.
 replace D with 95389

Cassette adapter is user supplied

Bike: 1200 and Voyager
 GPS: Cell phone capable

II-B-3

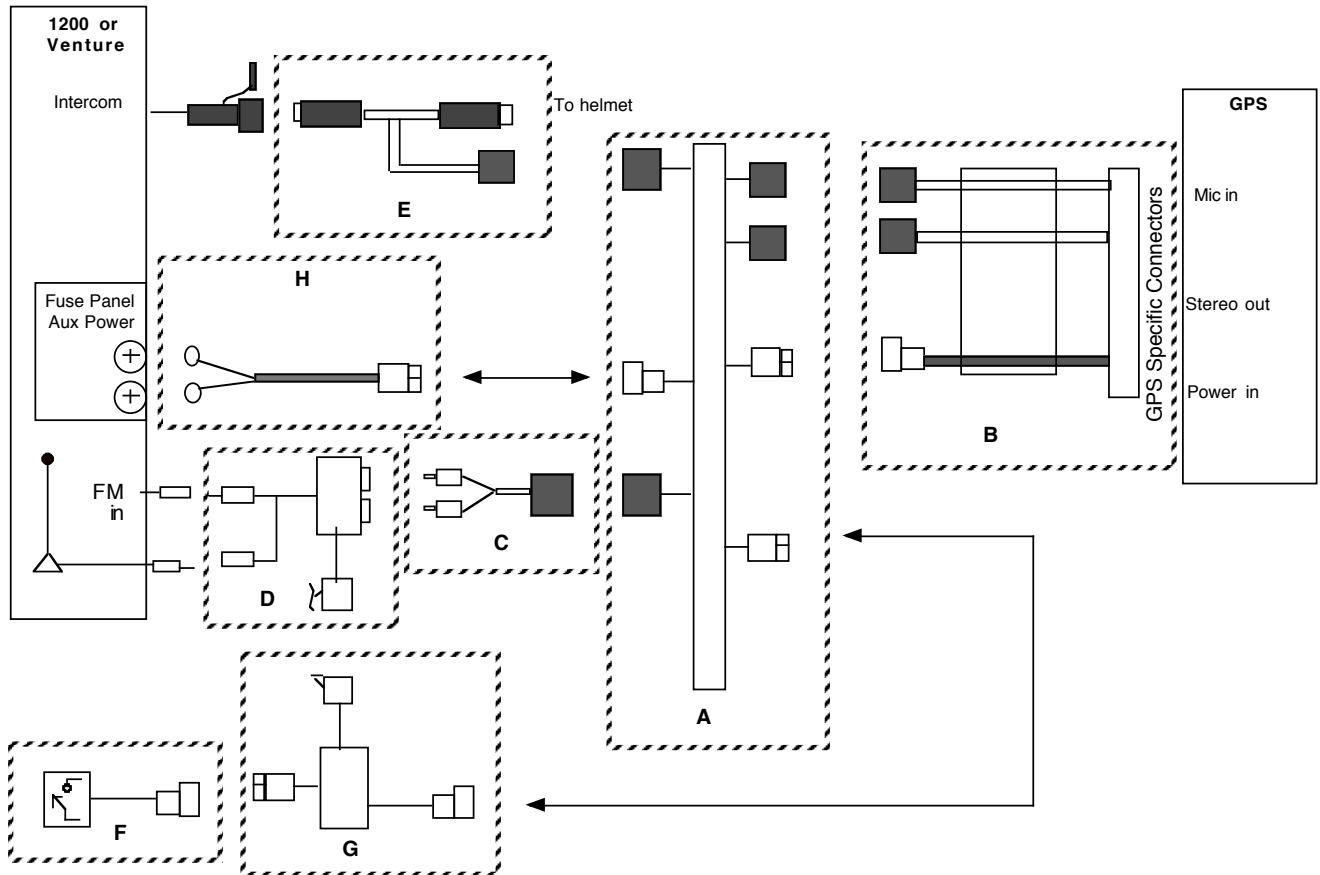


Item	Part number	Description
A	95416	CellSet, MC/GPS-MIC
B	95369	DualAuxADSet
C	VBD	Stereo Device Harness
D	VBD	Alert Device Harness
E	95442	FM Modulator Aux audio harness
F	92084	FM Modulator
G	95261	FPD Type 2 intercom harness
H	VBD	GPS harness. See table, "Required Harnesses for 'II' configuration guide", previous web page
I	95299	Universal power harness

Note: For Cassette adapter interface:
 delete Item F.
 replace E with 95389

Cassette adapter is user supplied

II-C-0



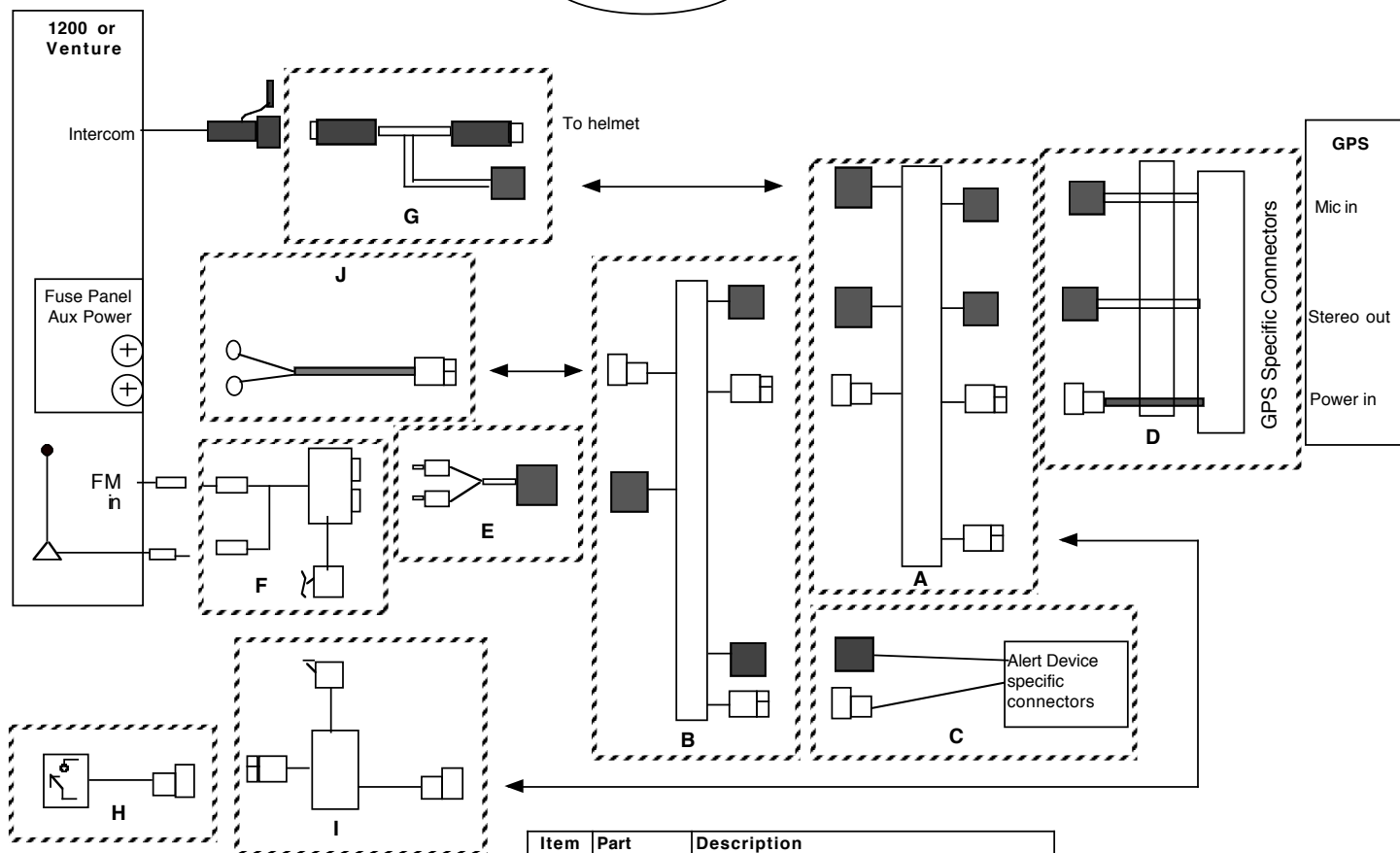
Item	Part	Description
A	95441	CellSet, MC/GPS3
B	VBD	GPS harness. See table, "Required Harnesses for 'II' configuration guide", previous web page
C	95442	FM Modulator Aux audio harness
D	92084	FM Modulator
E	95261	FPD Type 2 Intercom harness
F	VBD	Switch or Relay Timer Assembly
G	95443	FM Modulator power relay
H	95299	Universal power harness

Note: For Cassette adapter interface:
 delete Items D and G.
 replace C with 95389

Cassette adapter is user supplied

Bike: 1200 and Voyager
 GPS: Cell phone capable

II-C-1

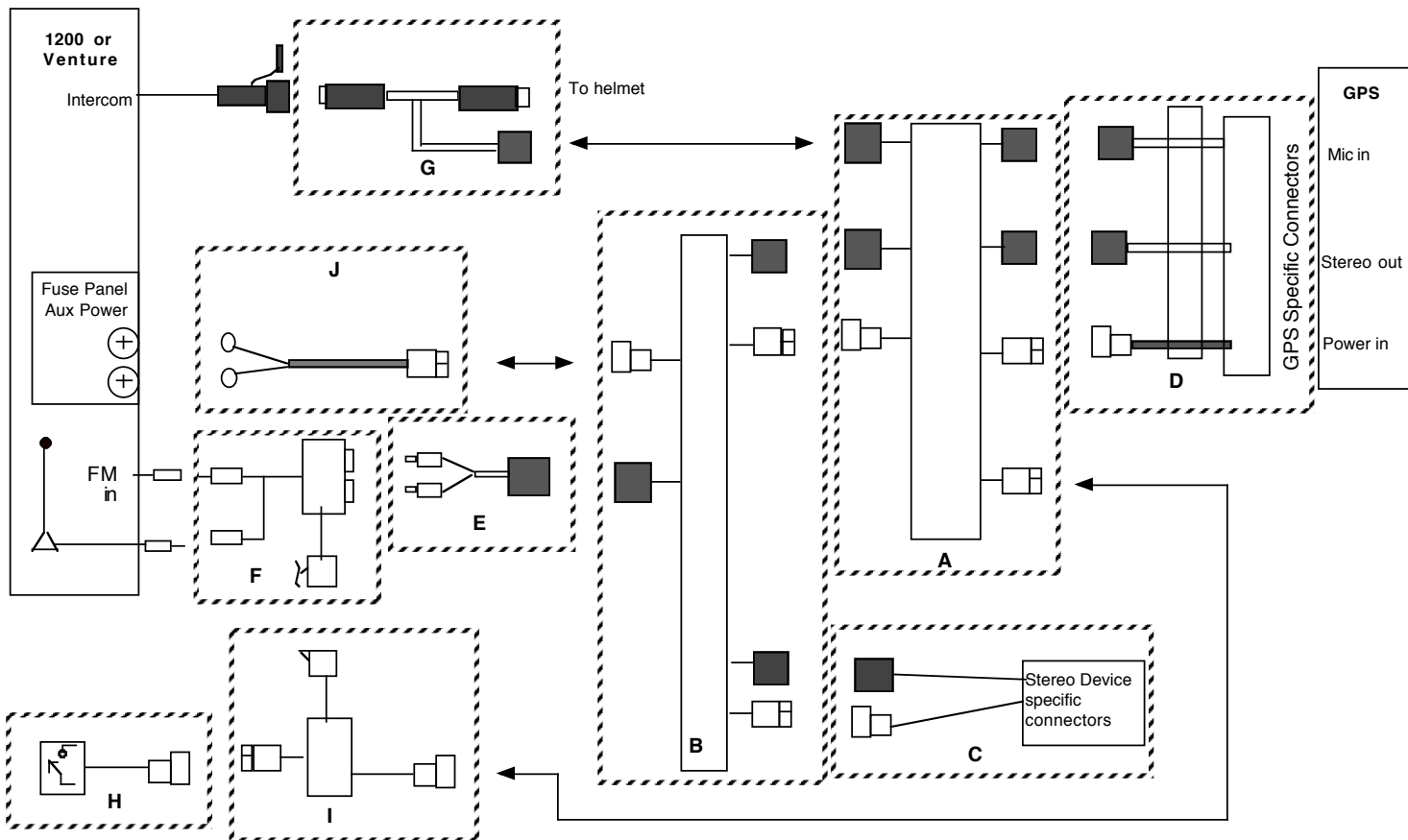


Item	Part number	Description
A	95441	CellSet, MC/GPS3
B	95409	SingleAuxADSet
C	VBD	Alert Device Harness
D	VBD	GPS harness. See table, "Required Harnesses for 'II' configuration guide", previous web page
E	95442	FM Modulator Aux audio harness
F	92084	FM Modulator
G	95261	FPD Type 2 Intercom harness
H	VBD	Switch or Relay Timer Assembly
I	95443	FM Modulator power relay
J	95299	Universal power harness

Note: For Cassette adapter interface:
 delete Items, F and I
 replace E, with 95389

Cassette adapter is user supplied

II-C-2



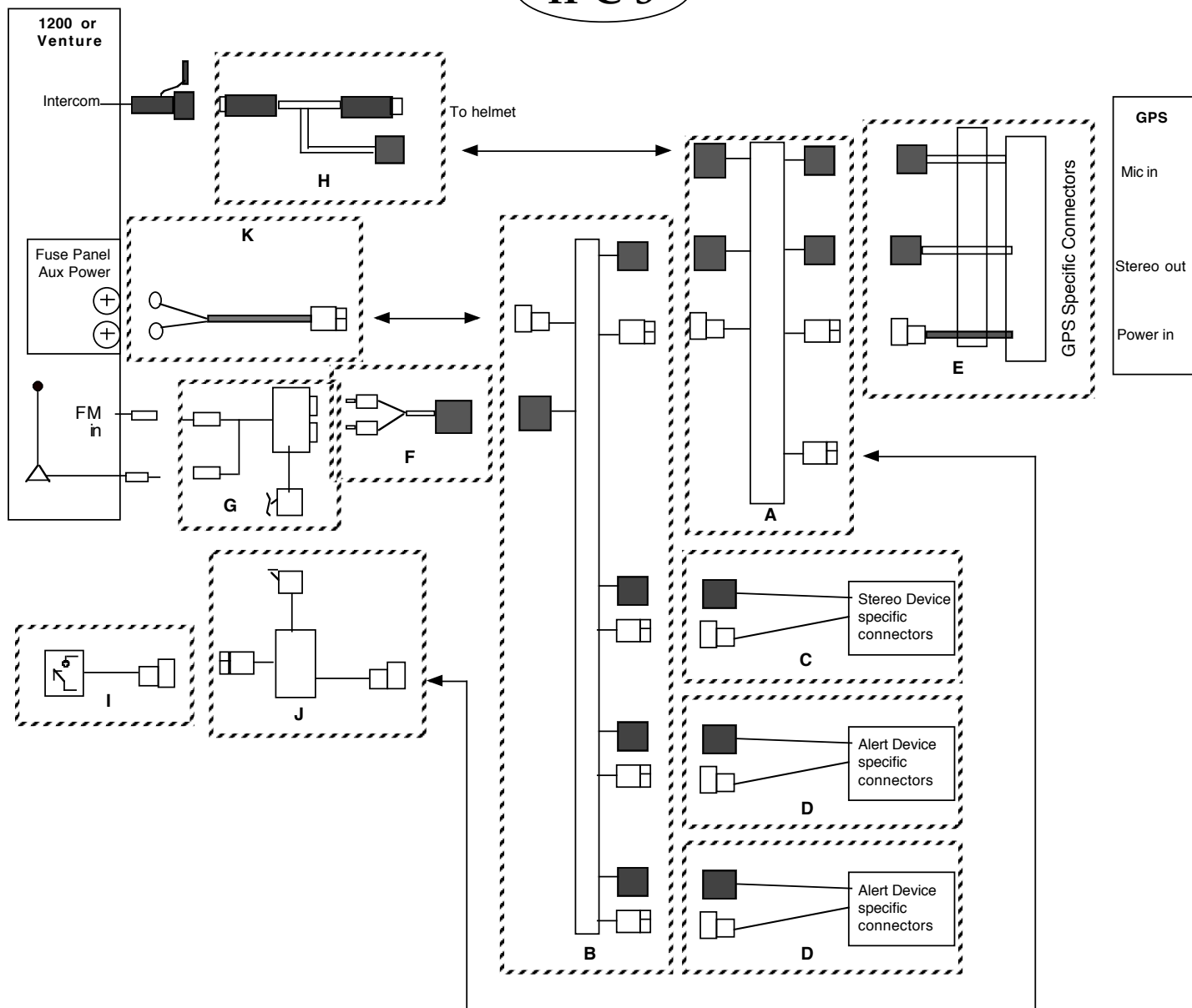
Item	Part number	Description
A	95441	CellSet, MC/GPS3
B	95375	AuxSwitchSet
C	VBD	Stereo Device Harness
D	VBD	GPS harness. See table, "Required Harnesses for 'II' configuration guide", previous web page
E	95442	FM Modulator Aux audio harness
F	92084	FM Modulator
G	95261	FPD Type 2 Intercom harness
H	VBD	Switch or Relay Timer Assembly
I	95443	FM Modulator power relay
J	95299	Universal power harness

Note: For Cassette adapter interface:
 delete Items, F and I
 replace E, with 95389

Cassette adapter is user supplied

Bike: 1200 and Voyager
 GPS: Cell phone capable

II-C-3



Item	Part number	Description
A	95441	CellSet, MC/GPS3
B	95369	DualAuxADSet
C	VBD	Stereo Device Harness
D	VBD	Alert Device Harness
E	VBD	GPS harness. See table, "Required Harnesses for 'II' configuration guide", previous web page
F	95442	FM Modulator Aux audio harness
G	92084	FM Modulator
H	95261	FPD Type 2 Intercom harness
I	VBD	Switch or Relay Timer Assembly
J	95443	FM Modulator Power relay
K	95299	Universal power harness

Note: For Cassette adapter interface:
 delete Items, G and J
 replace F, with 95389

Cassette adapter is user supplied