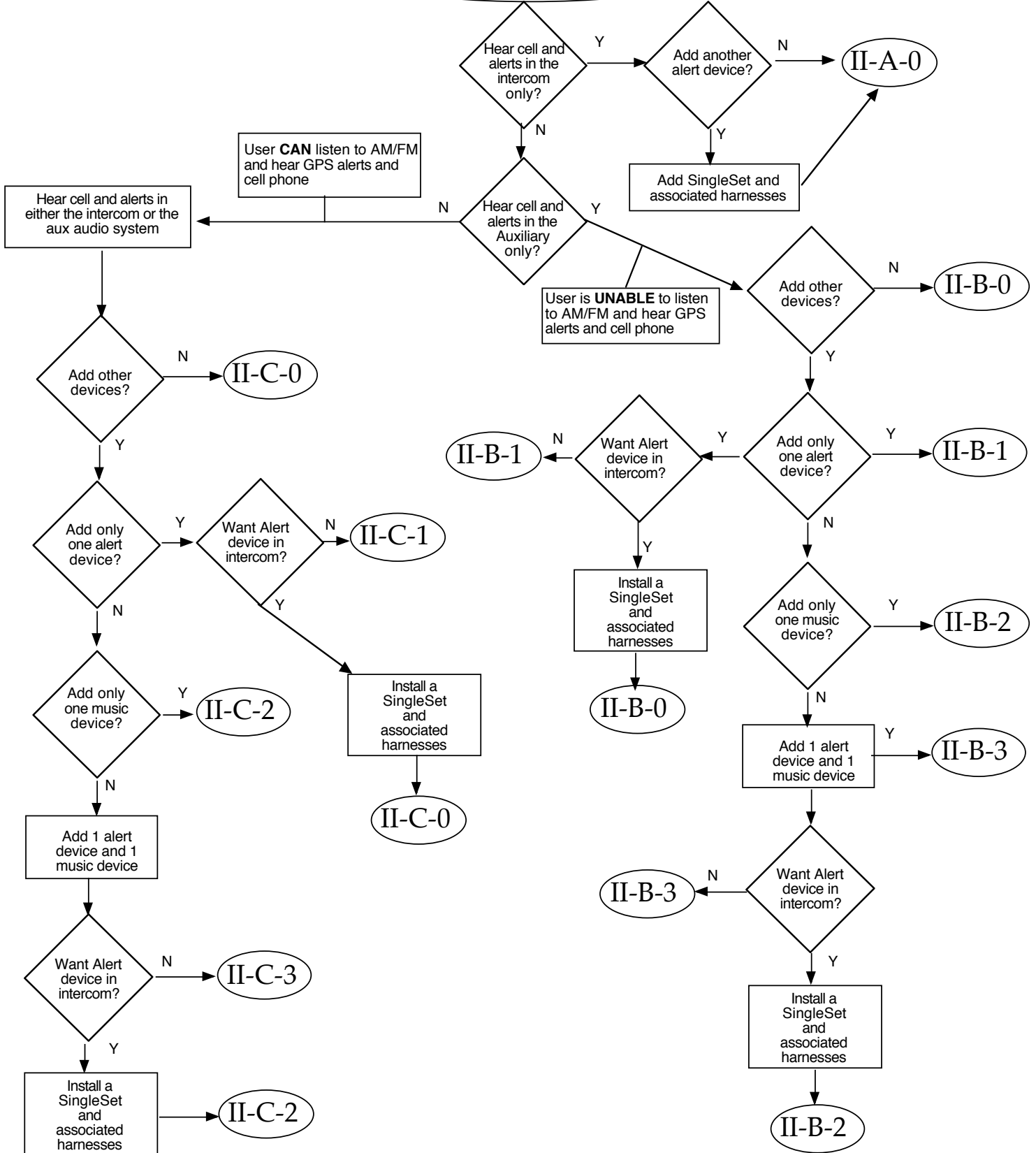
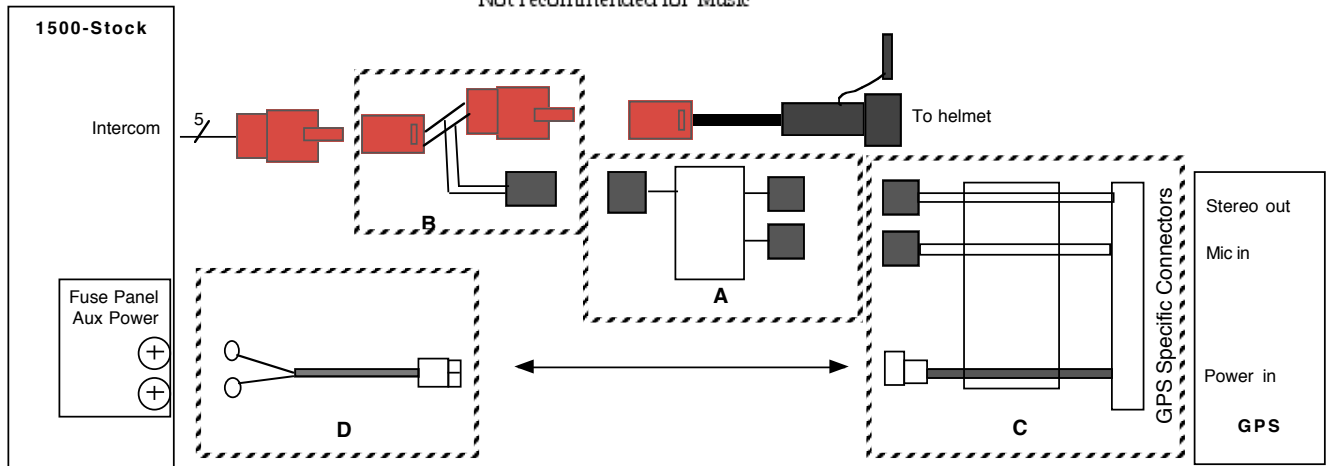


II - GPS and Cell phone  
 (with or without Music)



**II-A-0**

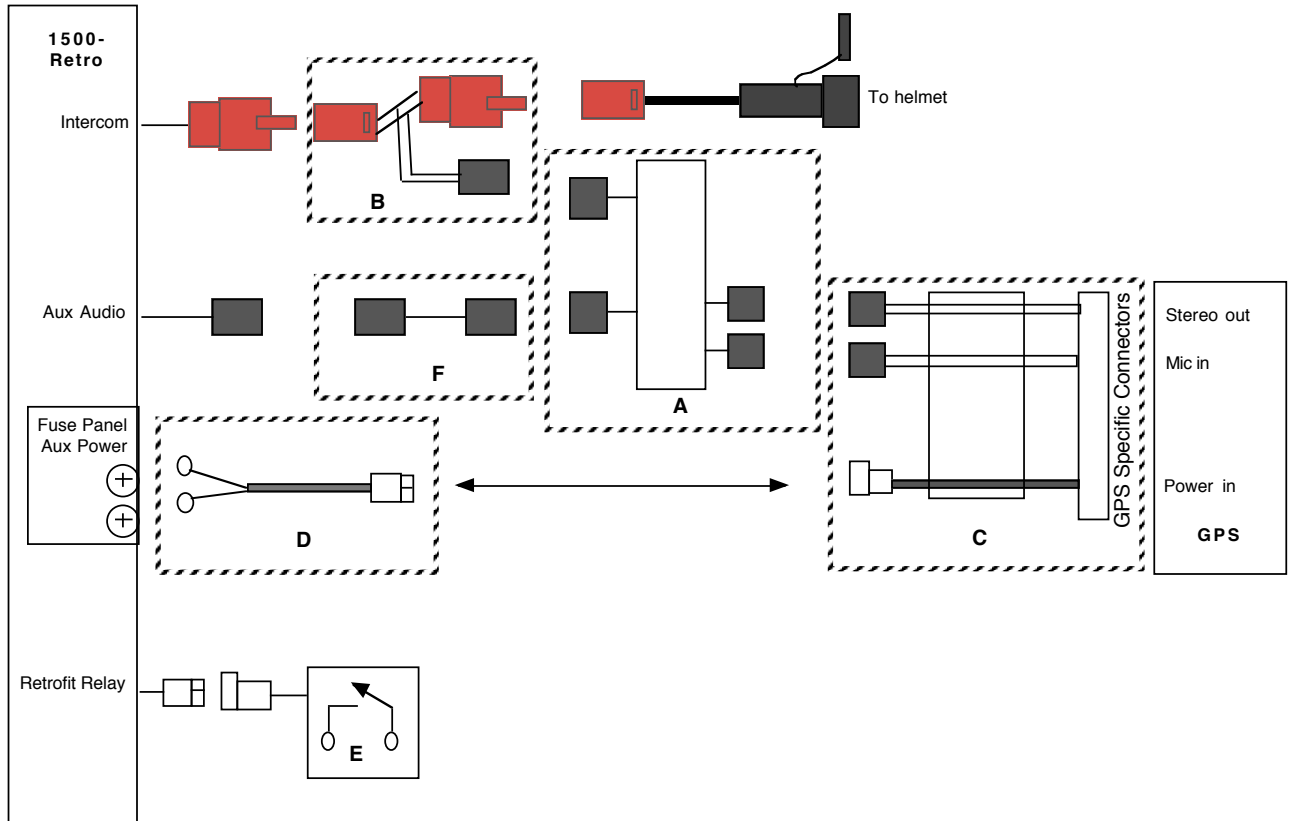
Not recommended for Music



Item	Part number	Description
A	95413	CellSet MC/GPS-ICS/MIC
B	95260	1500 Type 2 intercom harness
C	VBD	GPS harness. See table, "Required Harnesses for 'II' configuration guide", previous web page
D	95299	Universal power harness

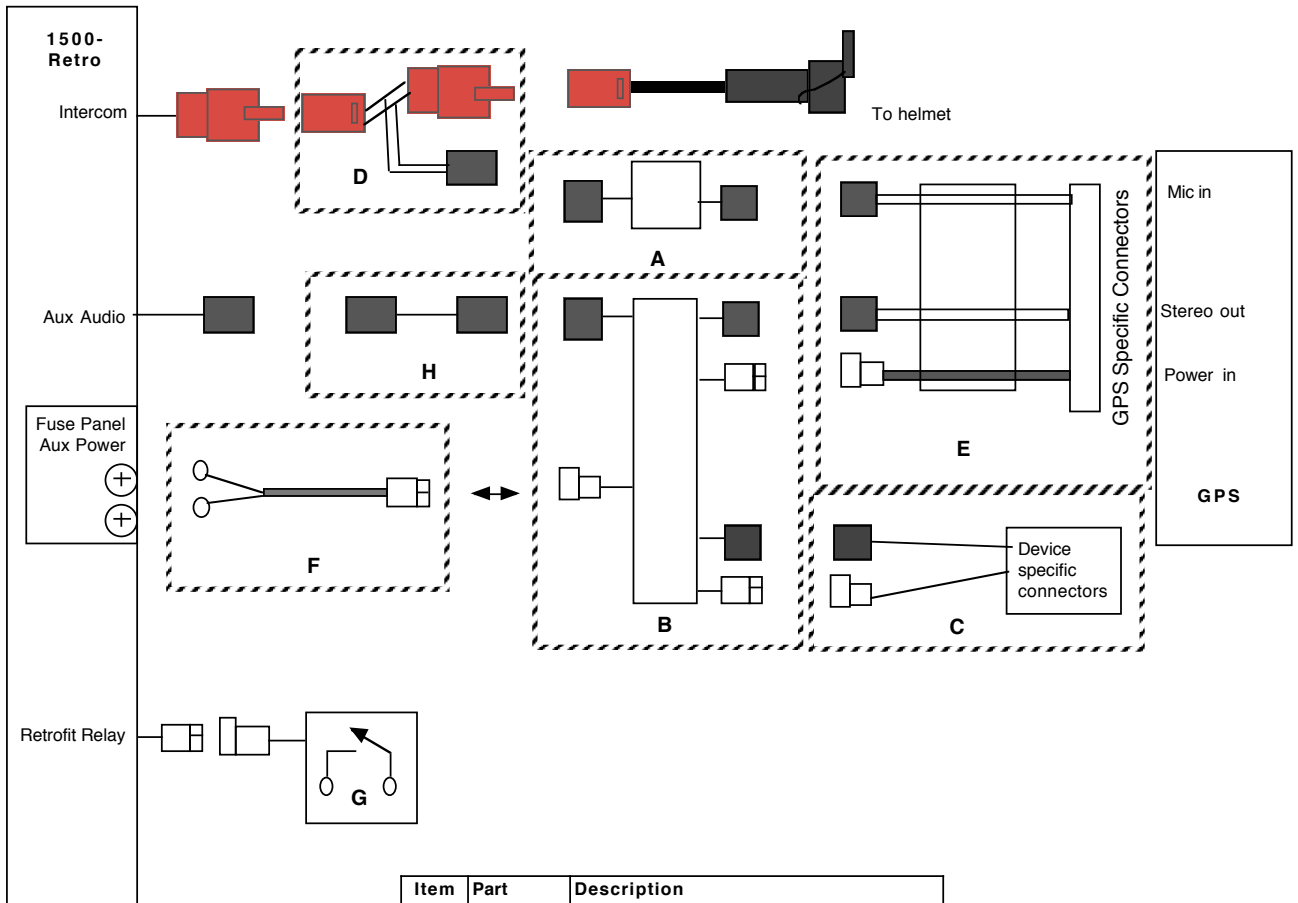
**Bike: 1500 with Kennedy Retrofit**  
**GPS: Cell phone capable**

**II-B-0**



Item	Part number	Description
A	95415	CellSet, MC/GPS-AUX/MIC
B	95260	1500 Type 2 intercom harness
C	VBD	GPS harness. See table, "Required Harnesses for 'II' configuration guide", previous web page
D	95299	Universal power harness
E	VBD	Switch Assembly
F	95449	Aux Audio Extender

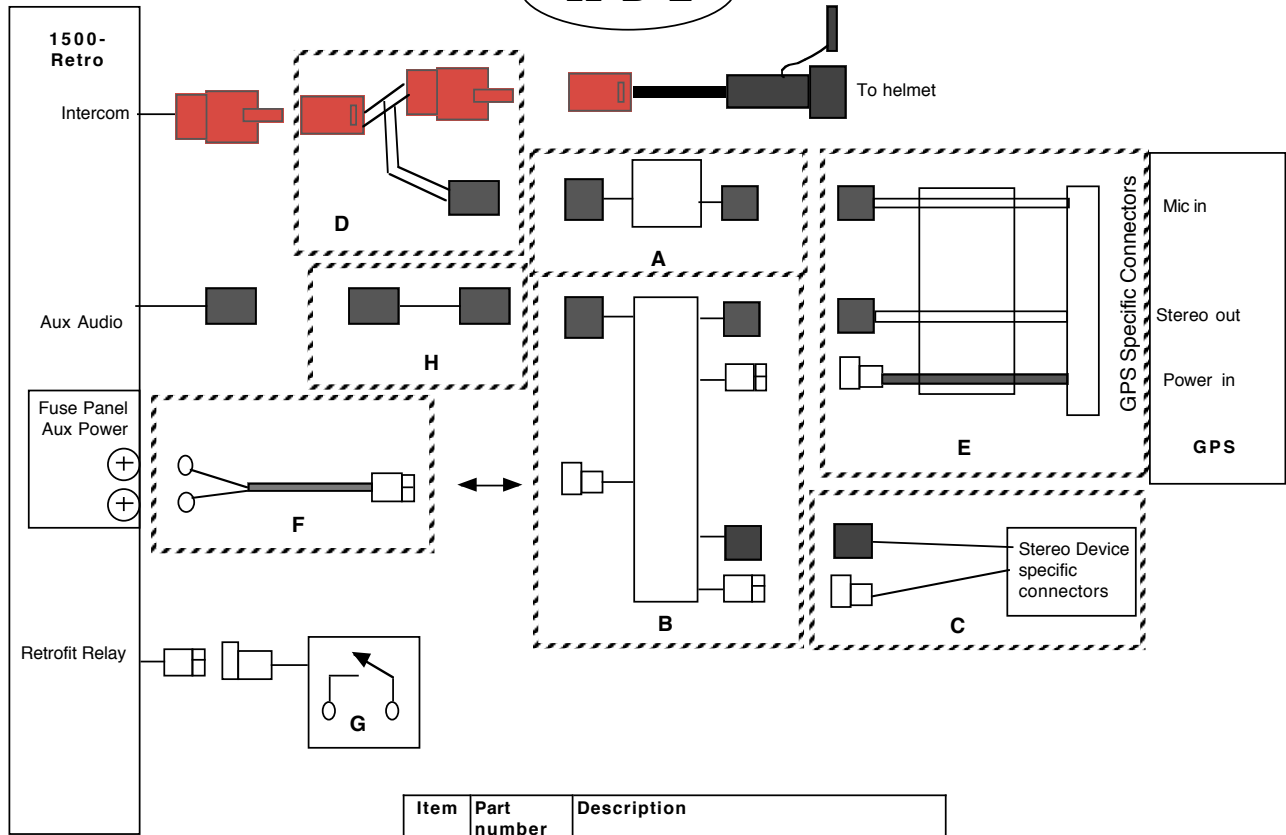
II-B-1



Item	Part number	Description
A	95416	CellSet, MC/GPS-MIC
B	95409	SingleAuxADSet
C	VBD	Alert Device Harness
D	95260	1500 Type 2 intercom harness
E	VBD	GPS harness. See table, "Required Harnesses for 'II' configuration guide", previous web page
F	95299	Universal power harness
G	VBD	Switch Assembly
H	95449	Aux Audio Extender

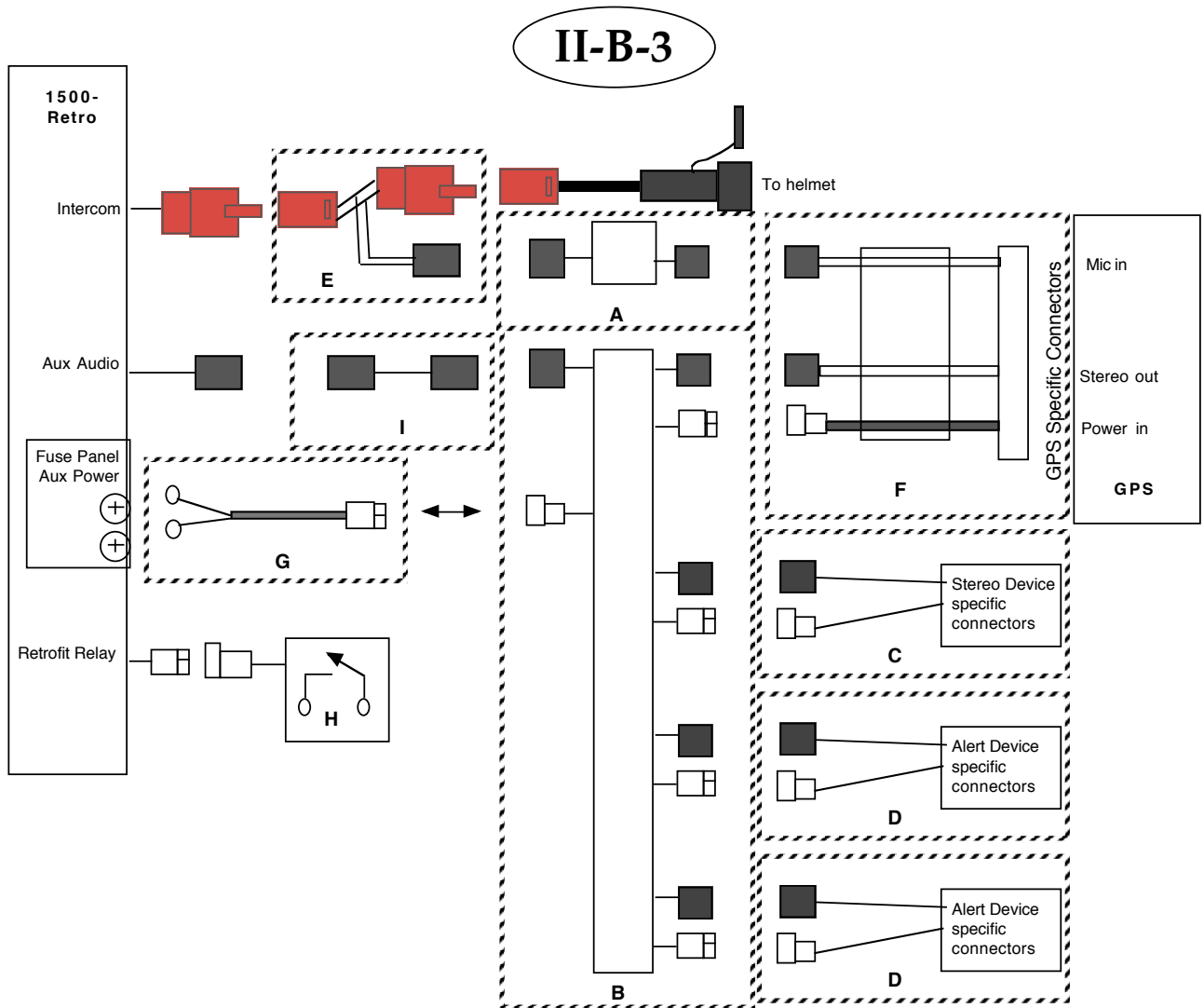
**Bike: 1500 with Kennedy Retrofit**  
**GPS: Cell phone capable**

**II-B-2**



Item	Part number	Description
A	95416	CellSet, MC/GPS-MIC
B	95375	AuxSwitchSet
C	VBD	Stereo Device Harness
D	95260	1500 Type 2 intercom harness
E	VBD	GPS harness. See table, "Required Harnesses for 'II' configuration guide", previous web page
F	95299	Universal power harness
G	VBD	Switch Assembly
H	95449	Aux Audio Extender

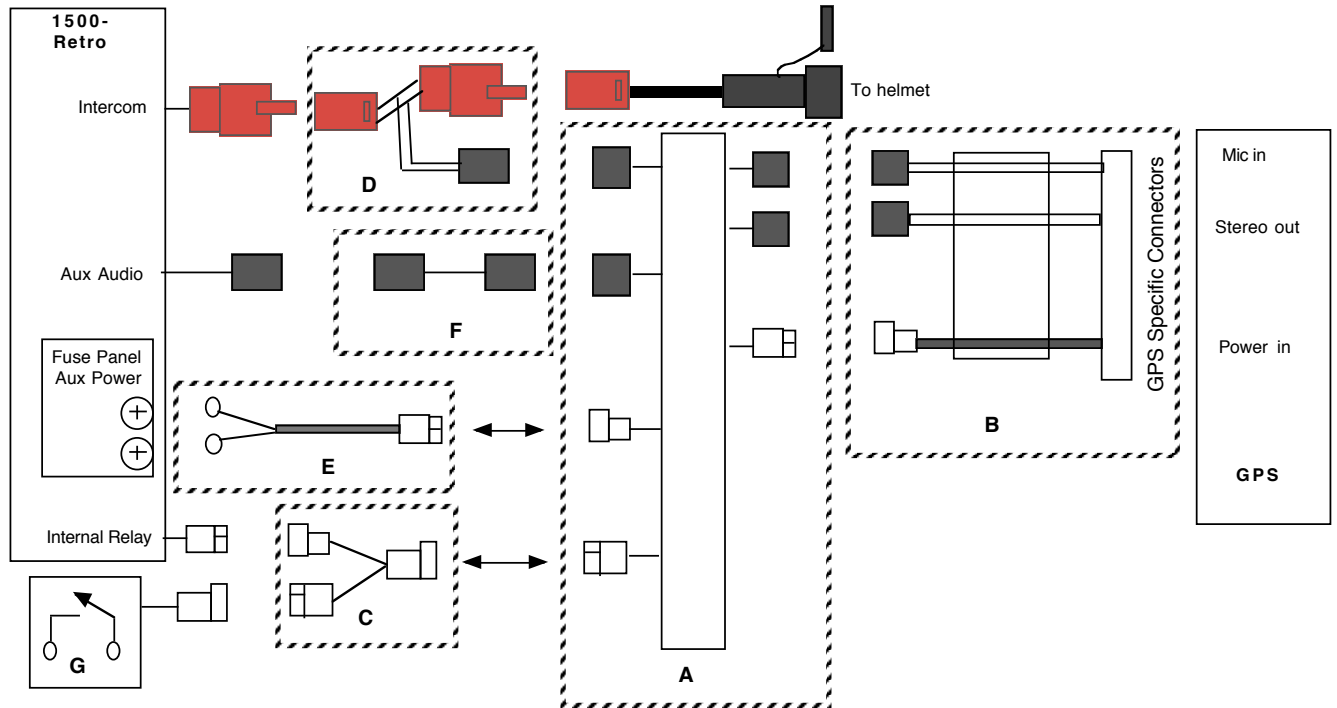
**Bike: 1500 with Kennedy Retrofit**  
**GPS: Cell phone capable**



Item	Part number	Description
A	95416	CellSet, MC/GPS-MIC
B	95369	DualAuxADSet
C	VBD	Stereo Device Harness
D	VBD	Alert Device Harness
E	95260	1500 Type 2 intercom harness
F	VBD	GPS harness. See table, "Required Harnesses for 'I' configuration guide", previous web page
G	95299	Universal power harness
H	VBD	Switch Assembly
I	95449	Aux Audio Extender

Bike: 1500 with Kennedy Retrofit  
 GPS: Cell phone capable

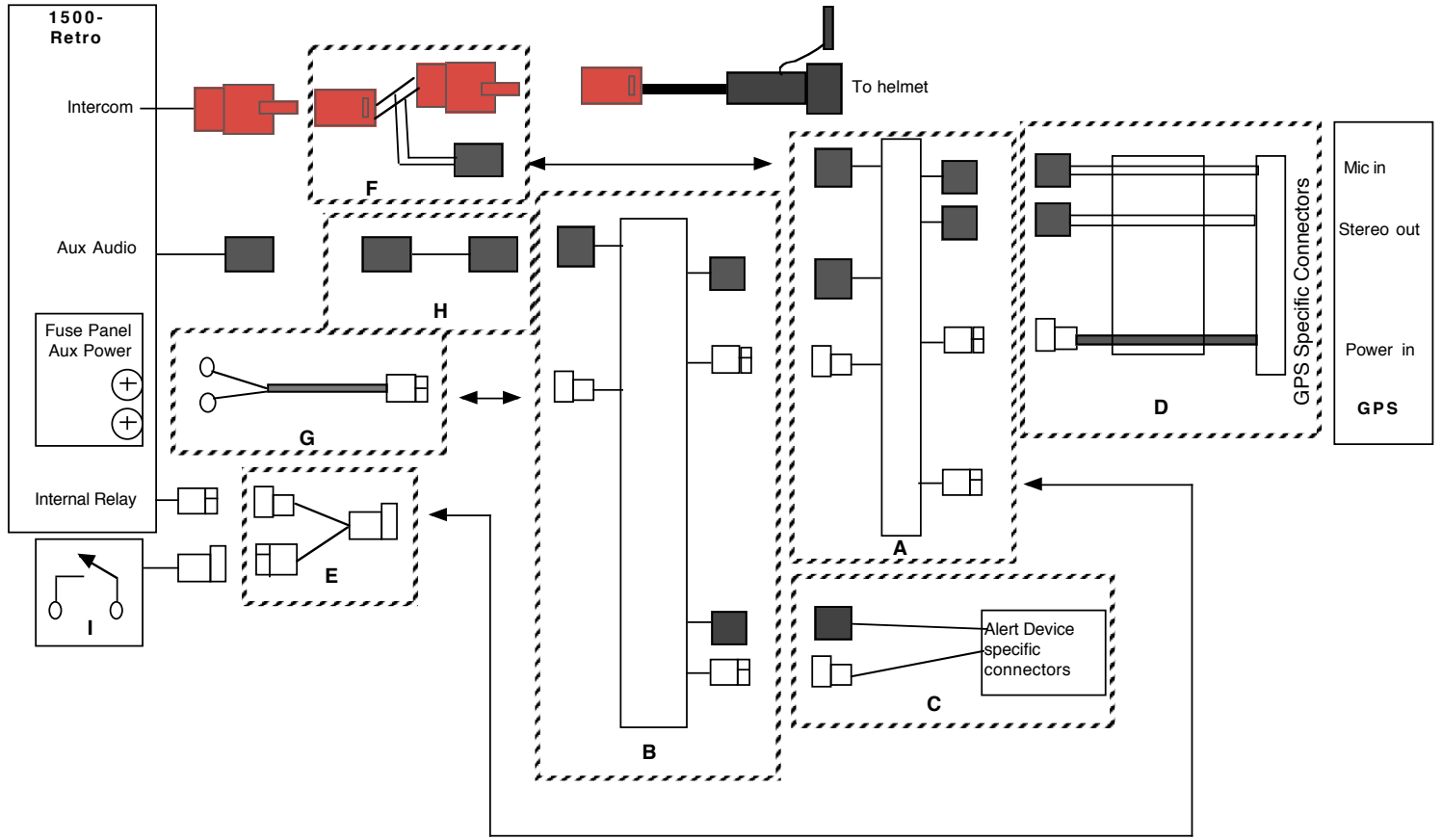
**II-C-0**



Item	Part number	Description
A	95441	CellSet, MC/GPS3
B	VBD	GPS harness. See table, "Required Harnesses for 'II' configuration guide", previous web page
C	95450	1500 Retrofit switch harness
D	95260	1500 Type 2 Intercom harness
E	95299	Universal power harness
F	95449	Aux Audio Extender
G	VBD	Switch Assembly

**Bike: 1500 with Kennedy Retrofit**  
**GPS: Cell phone capable**

**II-C-1**

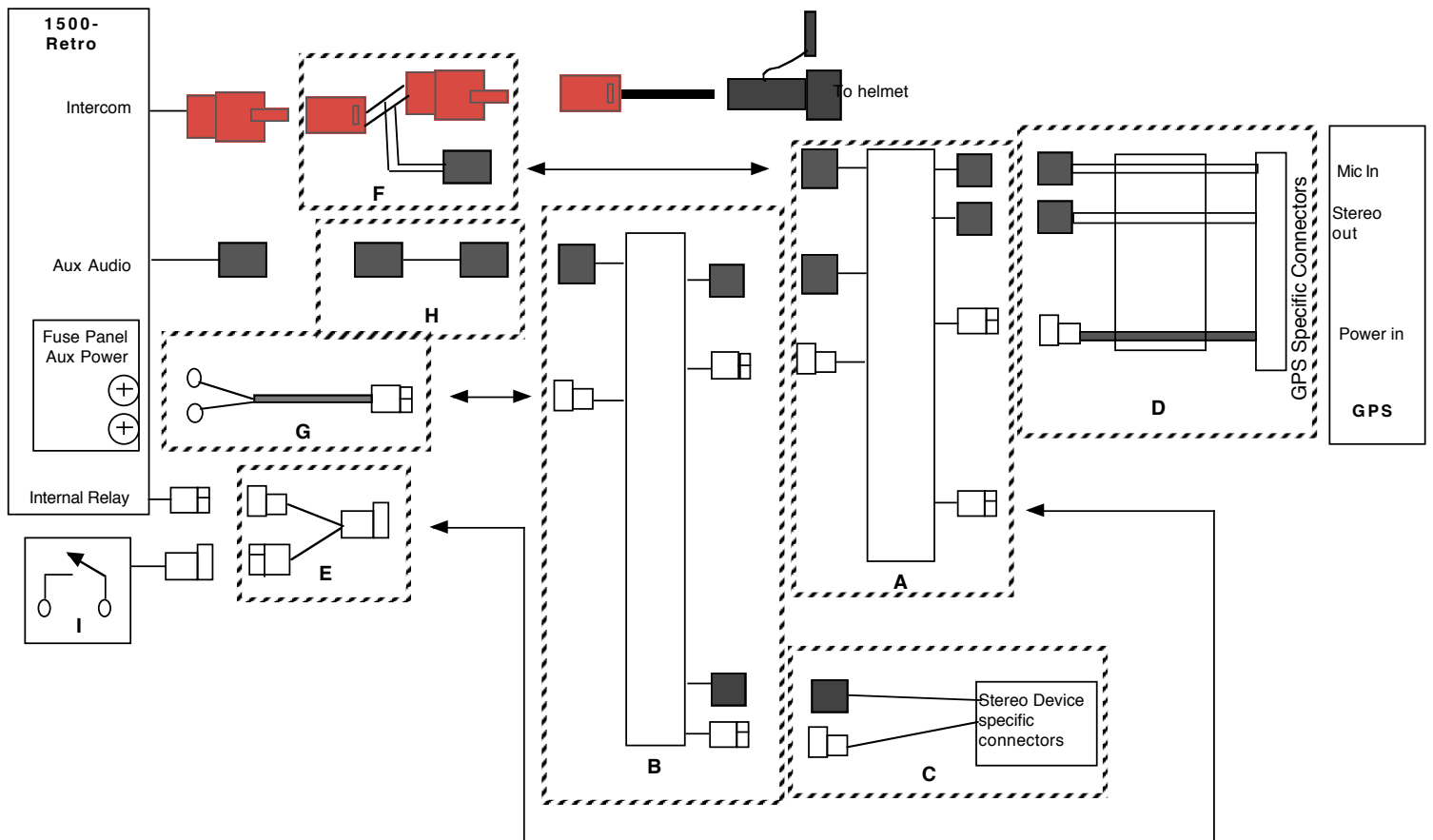


Item	Part number	Description
A	95441	CellSet, MC/GPS3
B	95409	SingleAuxADSet
C	VBD	Alert Device Harness
D	VBD	GPS harness. See table, "Required Harnesses for 'II' configuration guide", previous web page
E	95450	1500 Retrofit switch harness
F	95260	1500 Type 2 Intercom harness
G	95299	Universal power harness
H	95449	Aux Audio Extender
I	VBD	Switch Assy



**Bike: 1500 with Kennedy Retrofit**  
**GPS: Cell phone capable**

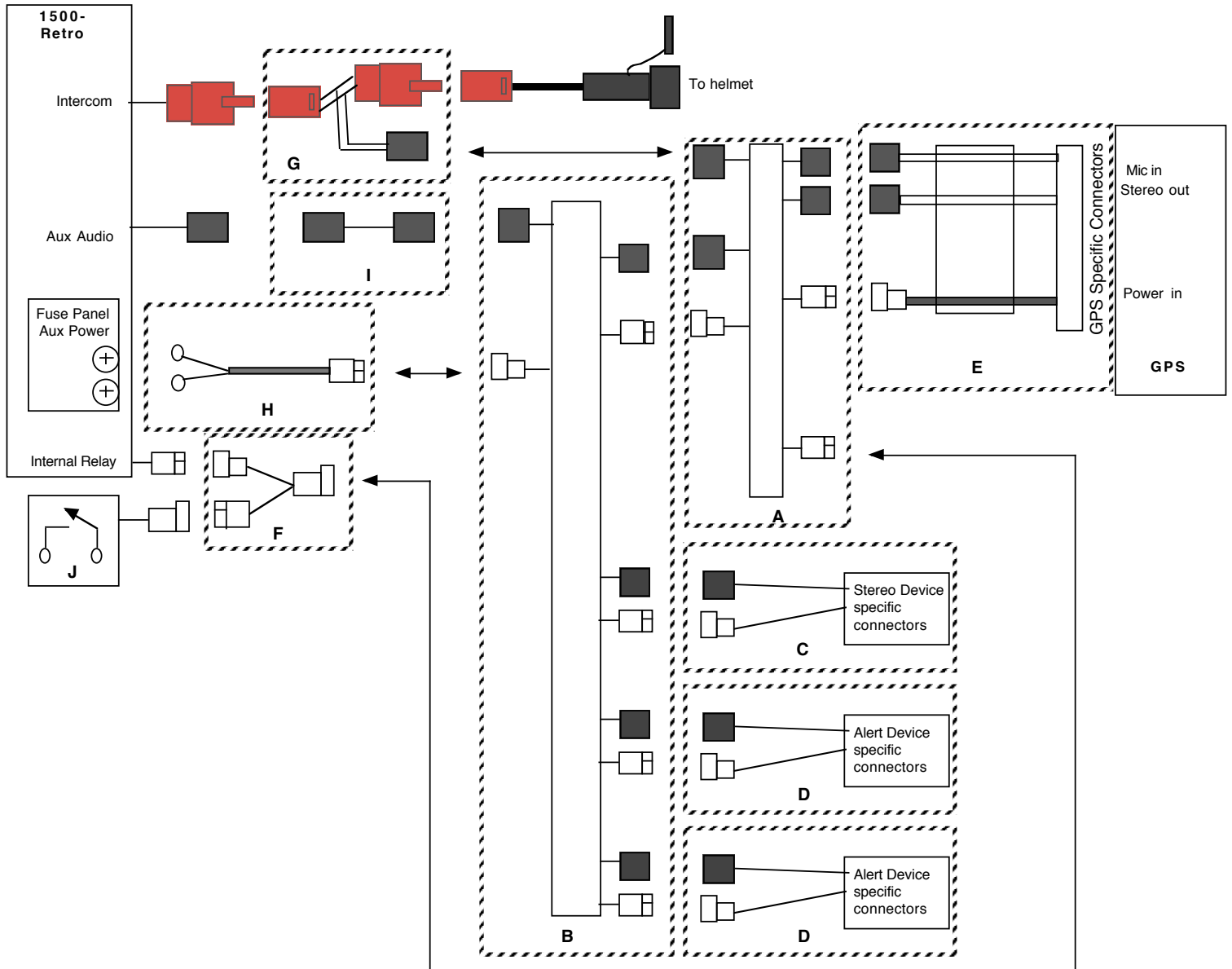
**II-C-2**



Item	Part number	Description
A	95441	CellSet, MC/GPS3
B	95375	AuxSwitchSet
C	VBD	Stereo Device Harness
D	VBD	GPS harness. See table, "Required Harnesses for 'II' configuration guide", previous web page
E	95450	1500 Retrofit switch harness
F	95260	1500 Type 2 Intercom harness
G	95299	Universal power harness
H	95449	Aux Audio Extender
I	<b>VBD</b>	Switch Assy

Bike: 1500 with Kennedy Retrofit  
 GPS: Cell phone capable

II-C-3



Item	Part	Description
A	95441	CellSet, MC/GPS3
B	95369	DualAuxADSet
C	VBD	Stereo Device Harness
D	VBD	Alert Device Harness
E	VBD	GPS harness. See table, "Required Harnesses for 'II' configuration guide", previous web page
F	95450	1500 Retrofit switch harness
G	95260	1500 Type 2 Intercom harness
H	95299	Universal power harness
I	95449	Aux Audio Extender
J	VBD	Switch Assy