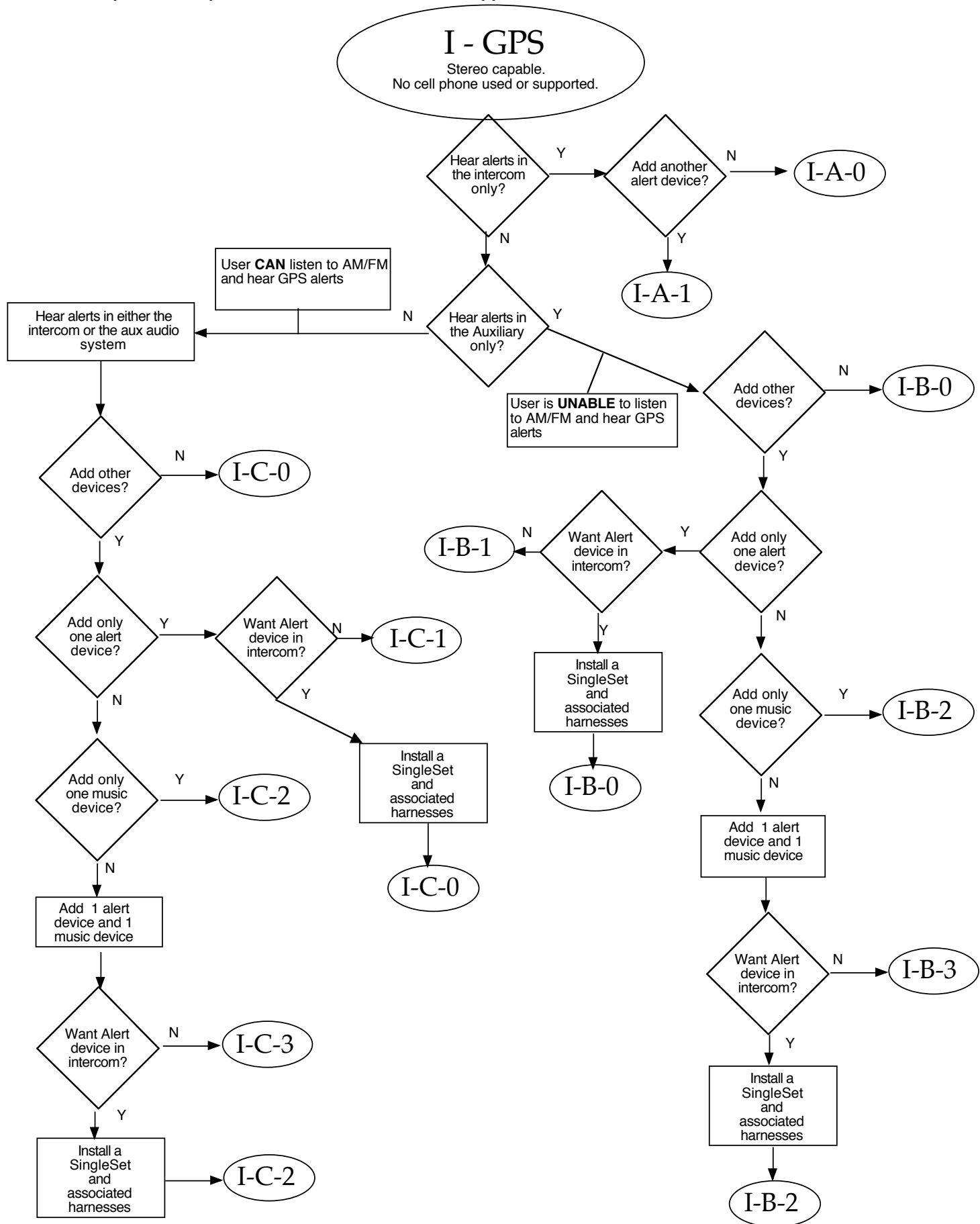


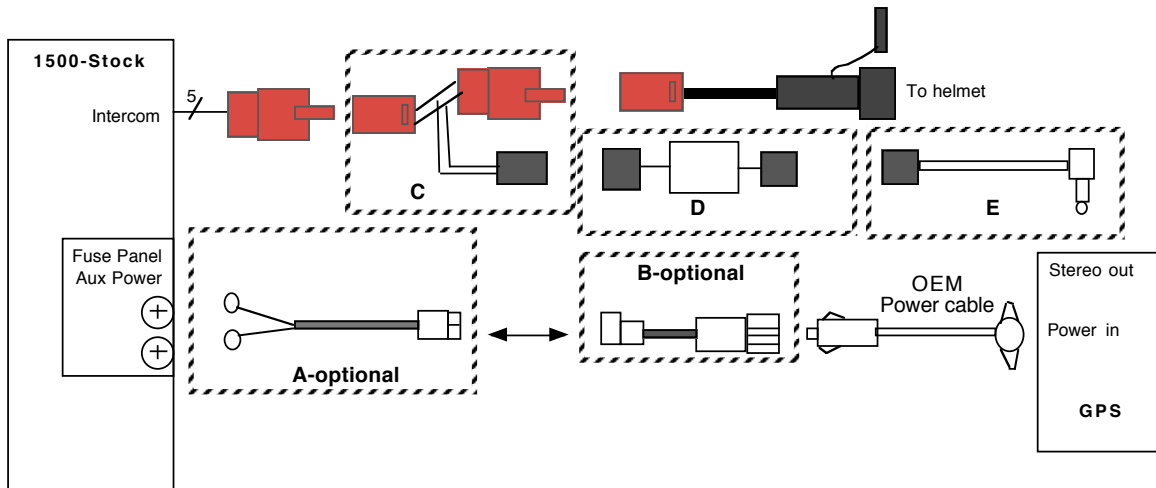
Bike: 1500 with Kennedy Retrofit  
 GPS: Stereo capable. Cell phone either not used or not supported.



**Bike: 1500 with Kennedy Retrofit**  
**GPS: Stereo capable. Cell phone either not used or not supported.**

# I-A-0

Not recommended for Music



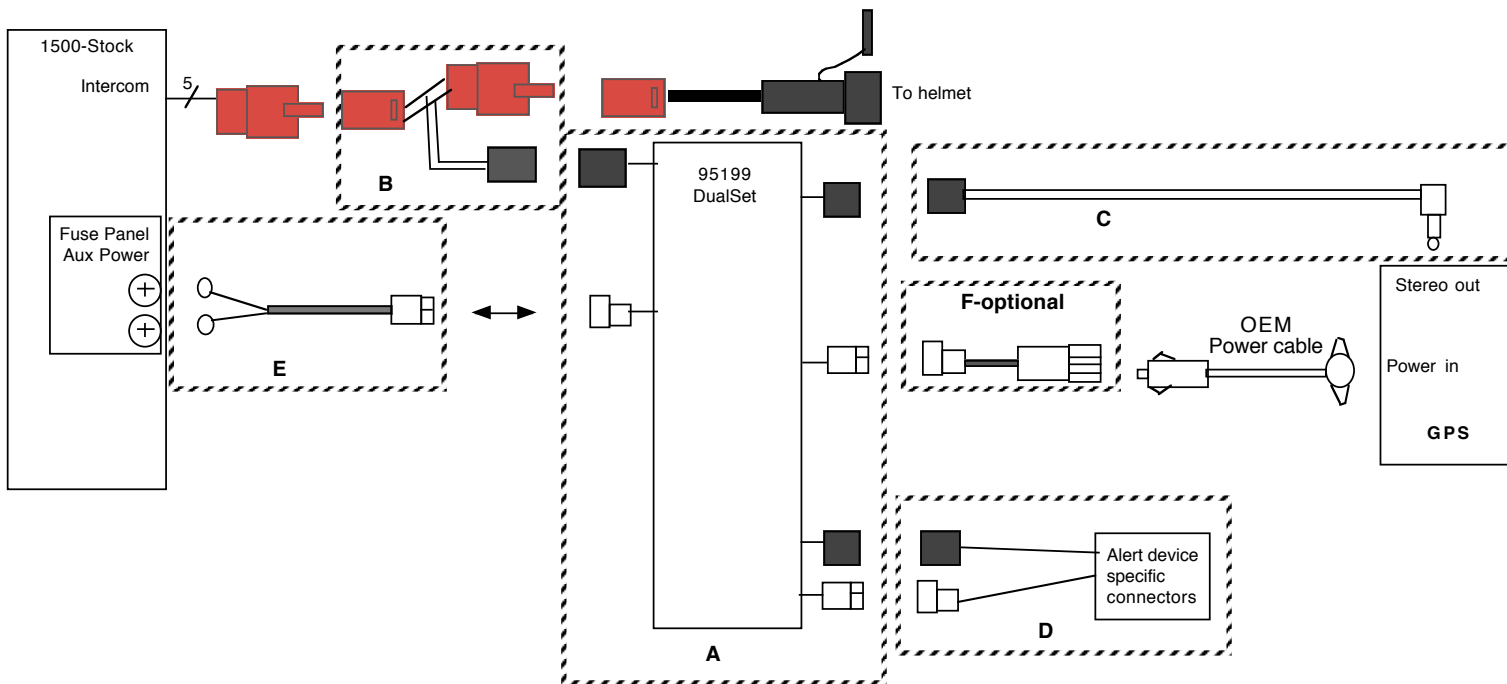
Item	Part	Description
A	95299	Universal power harness
B	95387	Cig Lighter Socket
C	95260	1500 Type 2 intercom harness
D	95459	SingleSet2.2
E	VBD	GPS alert harness, see table, below

Manufacturer	Model	Part
Garmin	2730, 2820	95211, Item B, and OEM power cable not required
Any	Has 3.5mm diameter stereo jack	95206, OEM power cable required

**Bike: 1500 with Kennedy Retrofit**  
**GPS: Stereo capable. Cell phone either not used or not supported.**

# I-A-1

Not recommended for Music

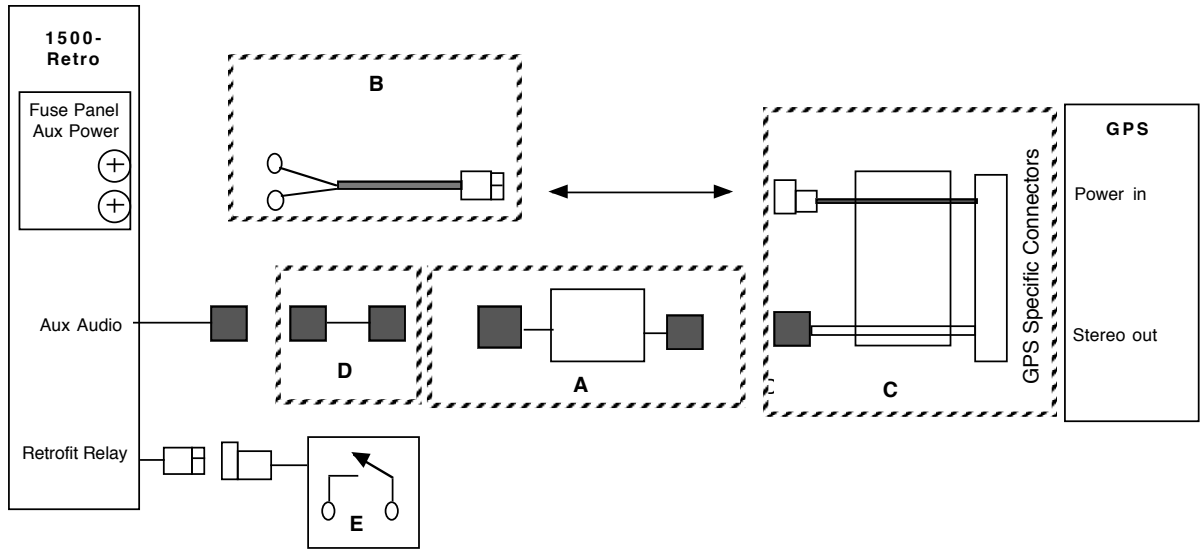


Item	Part number	Description
A	95460	DualSet2.2
B	95260	1500 Type 2 intercom harness
C	VBD	GPS alert harness, see table, below
D	VBD	Alert device harness
E	95299	Universal power harness
F	95387	Cig Lighter Socket

Manufacturer	Model	Part
Garmin	2730, 2820	95211, Item F, and OEM power cable not required
Any	Has 3.5mm diameter stereo jack	95206, OEM power cable required

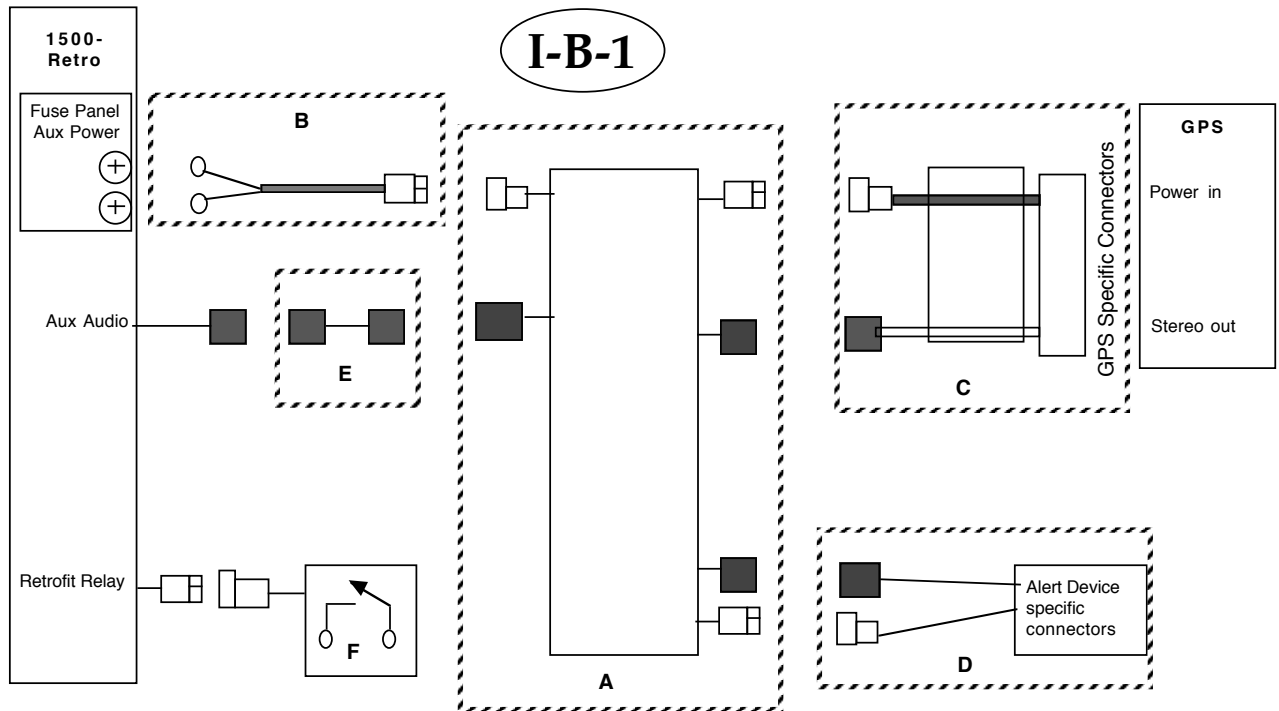
Bike: 1500 with Kennedy Retrofit  
 GPS: Stereo capable. Cell phone either not used or not supported.

**I-B-0**



Item	Part number	Description
A	95376	IsoSet2
B	95299	Universal power harness
C	VBD	GPS harness. See table, "Required Harnesses for 'I' configuration guide", previous web page
D	95449	Aux Audio Extender
E	VBD	Switch Assy

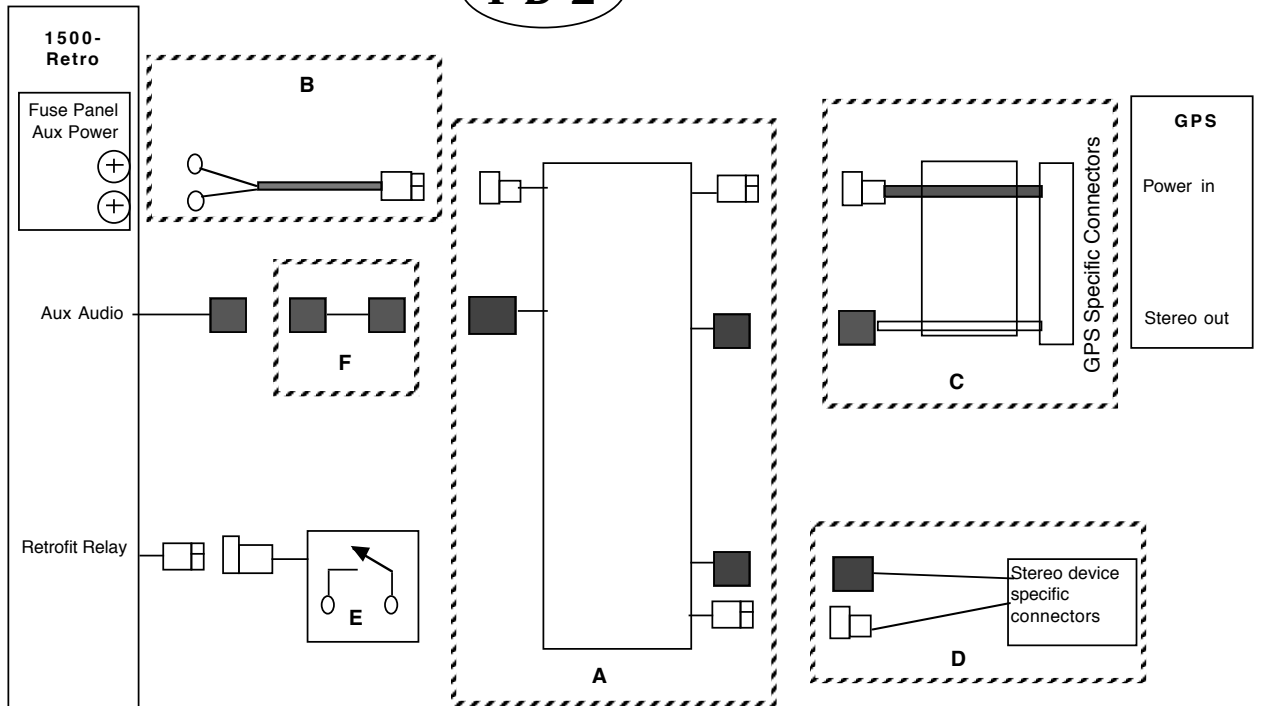
**Bike: 1500 with Kennedy Retrofit**  
**GPS: Stereo capable. Cell phone either not used or not supported.**



Item	Part number	Description
A	95409	SingleAuxADSet
B	95299	Universal power harness
C	VBD	GPS harness. See table, "Required Harnesses for 'I' configuration guide", previous web page
D	VBD	Alert Device Harness
E	95449	Aux Audio Extender
F	VBD	Switch Assy

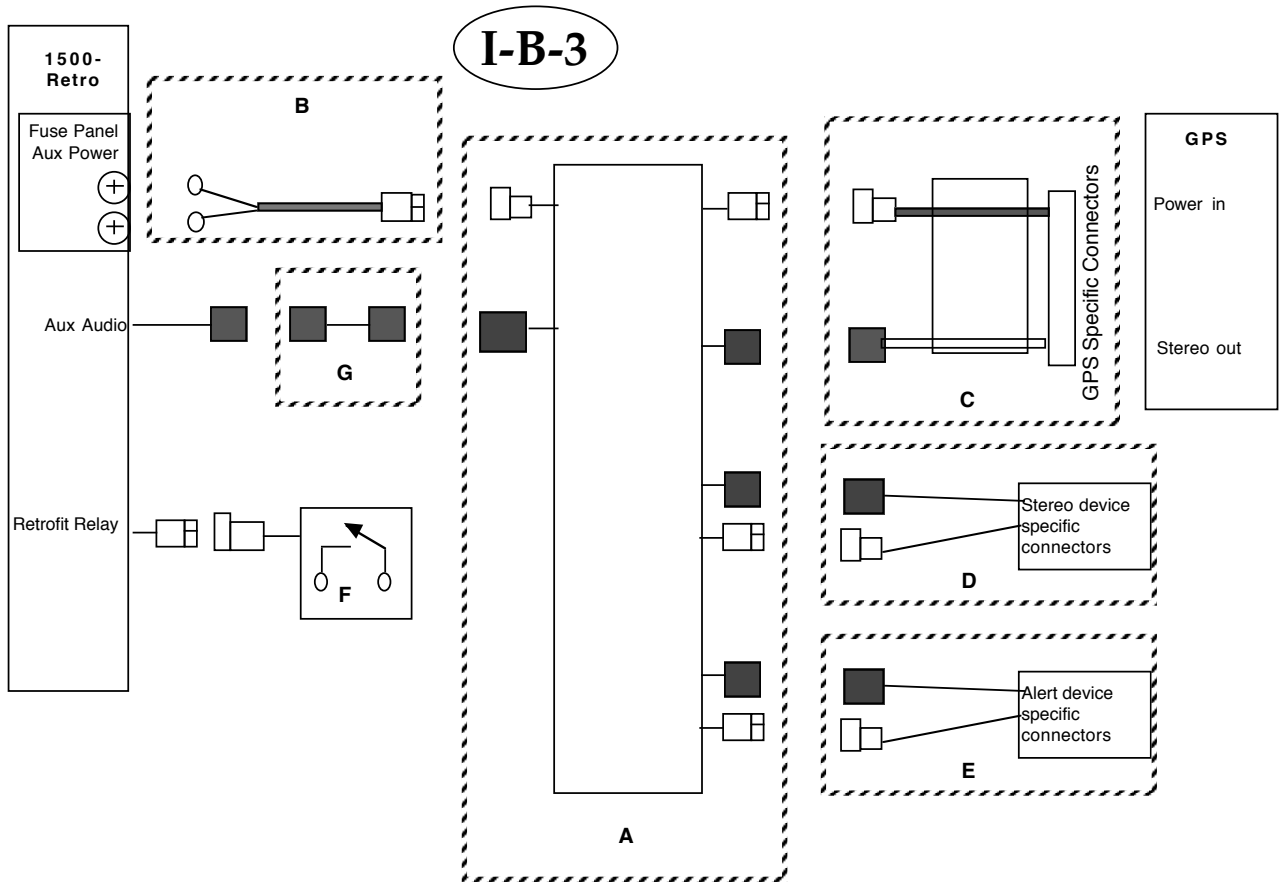
**Bike: 1500 with Kennedy Retrofit**  
**GPS: Stereo capable. Cell phone either not used or not supported.**

**I-B-2**



Item	Part number	Description
A	95375	AuxSwitchSet
B	95299	Universal power harness
C	VBD	GPS harness. See table, "Required Harnesses for 'I' configuration guide", previous web page
D	VBD	Stereo Device Harness
E	VBD	Switch Assy
F	95449	Aux Audio Extender

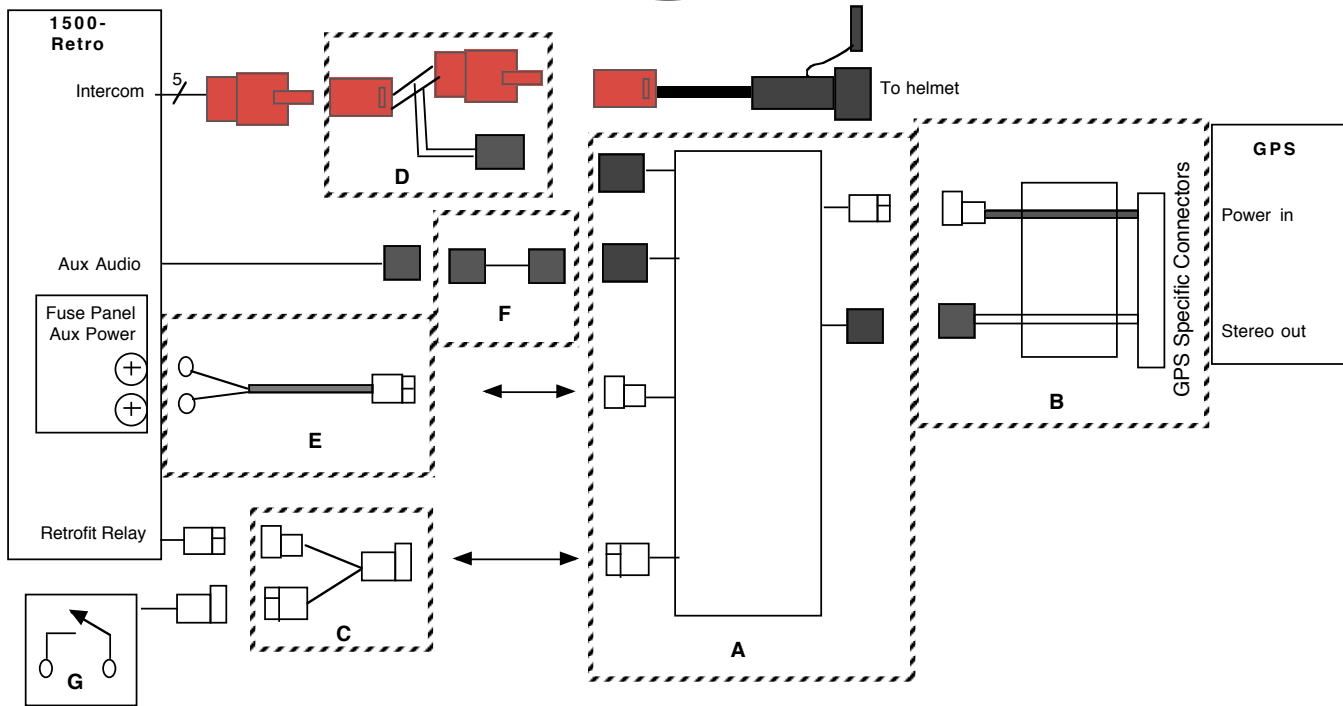
**Bike: 1500 with Kennedy Retrofit**  
**GPS: Stereo capable. Cell phone either not used or not supported.**



Item	Part number	Description
A	95369	DualAuxADSet
B	95299	Universal power harness
C	VBD	GPS harness. See table, "Required Harnesses for 'I' configuration guide", previous web page
D	VBD	Stereo Device Harness
E	VBD	Alerts Device Harness
F	VBD	Switch Assy
G	95449	Aux Audio Extender

**Bike: 1500 with Kennedy Retrofit**  
**GPS: Stereo capable. Cell phone either not used or not supported.**

**I-C-0**

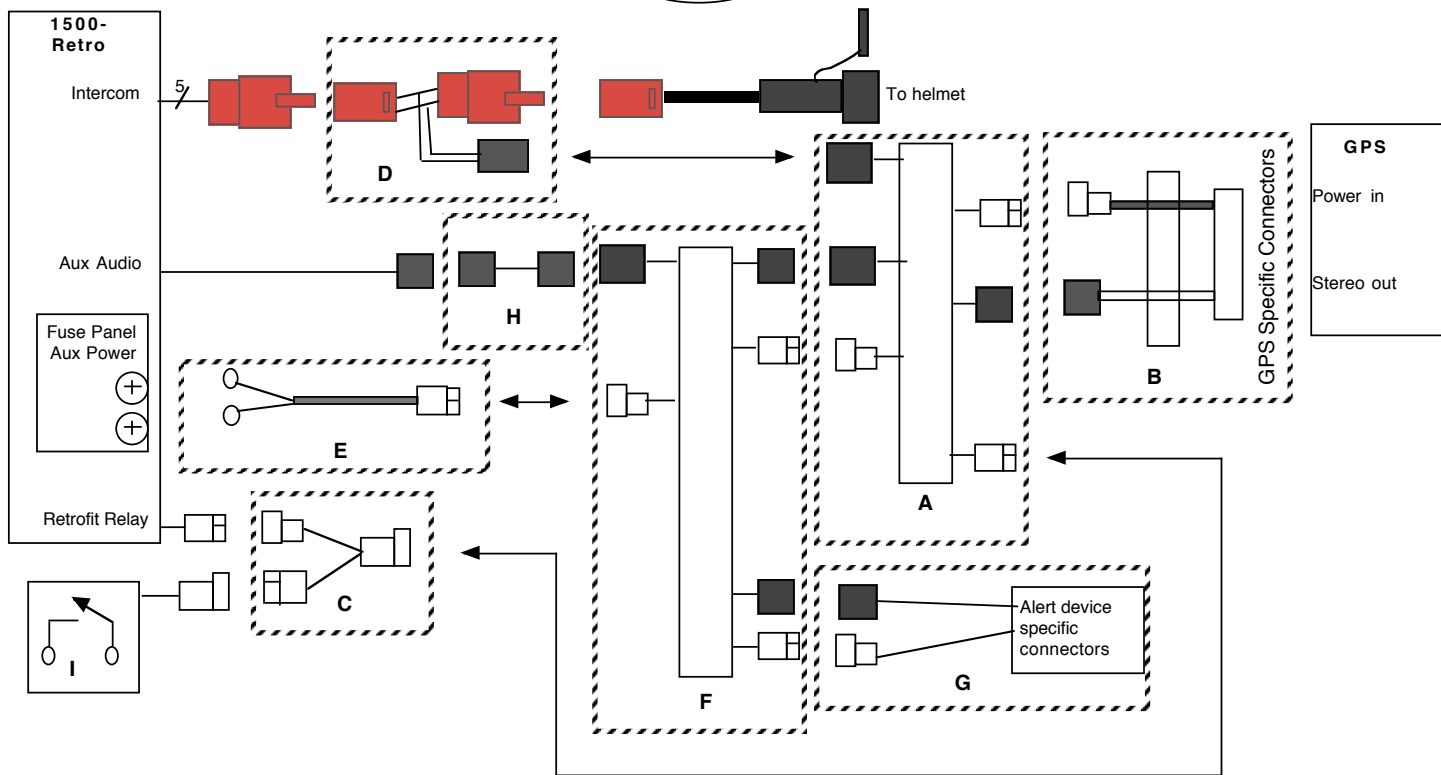


Item	Part number	Description
A	95445	CellSet, MC/GPS-AUX/ICS
B	VBD	GPS harness. See table, "Required Harnesses for 'I' configuration guide", previous web page
C	95450	1500 Retrofit switch harness
D	95260	1500 Type 2 Intercom harness
E	95299	Universal power harness
F	95449	Aux Audio Extender
G	<b>VBD</b>	Switch Assy



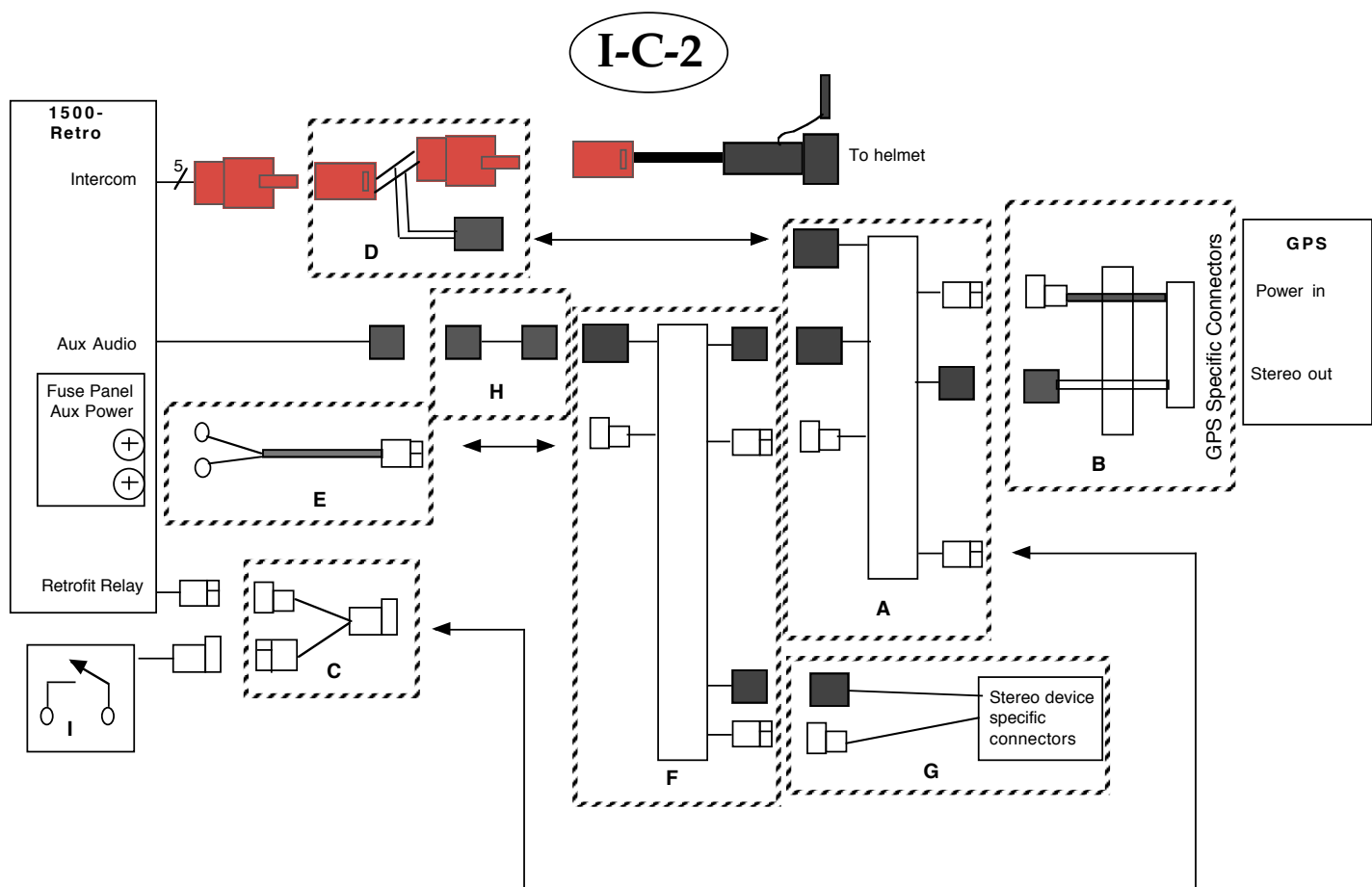
**Bike: 1500 with Kennedy Retrofit**  
**GPS: Stereo capable. Cell phone either not used or not supported.**

**I-C-1**



Item	Part number	Description
A	95445	CellSet, MC/GPS-Aux/ICS
B	VBD	GPS harness. See table, "Required Harnesses for 'I' configuration guide", previous web page
C	95450	1500 Retrofit switch harness
D	95260	1500 Type 2 Intercom harness
E	95299	Universal power harness
F	95409	SingleAuxADSet
G	VBD	Alert Device Harness
H	95449	Aux Audio Extender
I	VBD	Switch Assy

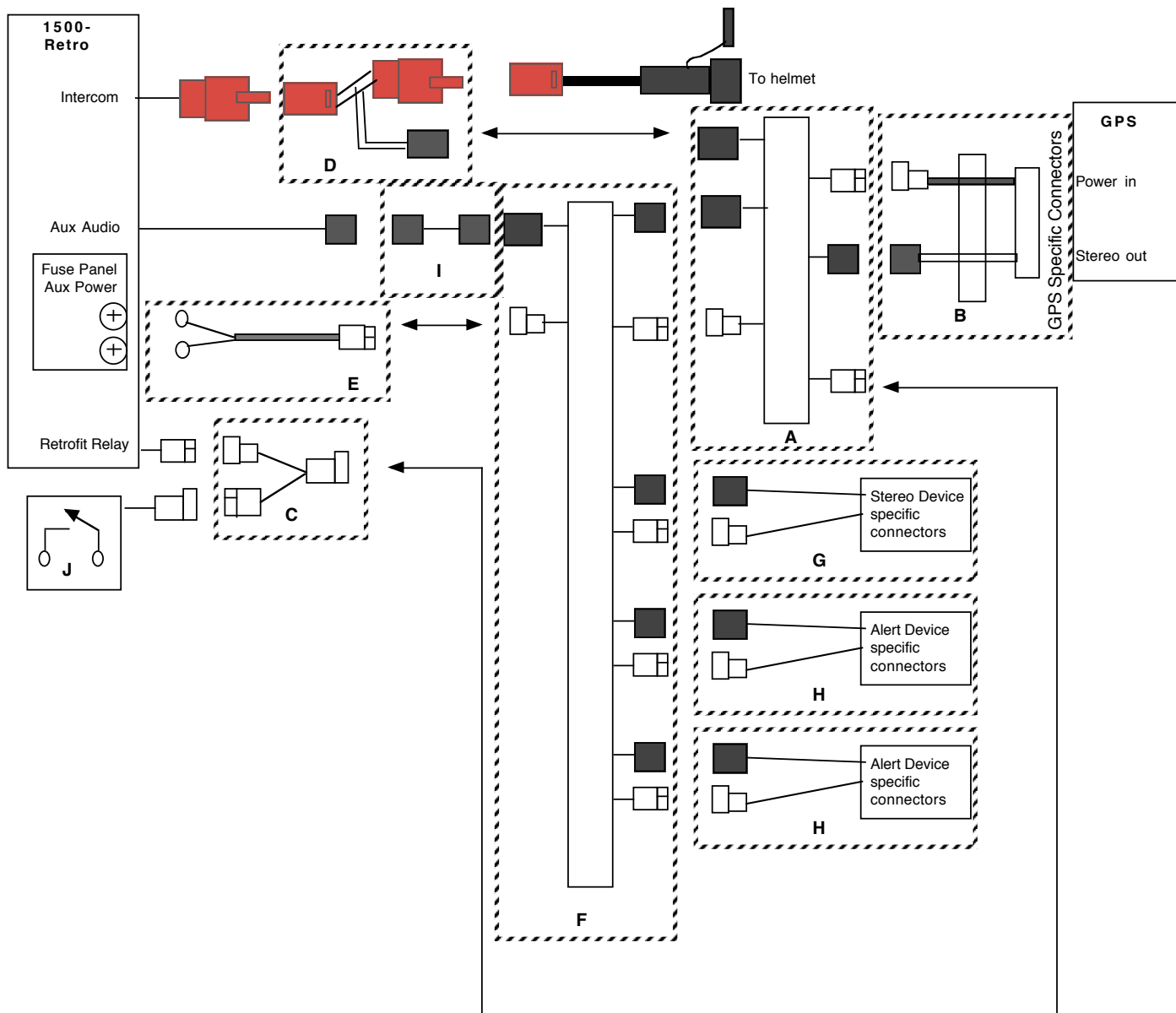
**Bike: 1500 with Kennedy Retrofit**  
**GPS: Stereo capable. Cell phone either not used or not supported.**



Item	Part number	Description
A	95445	CellSet, MC/GPS-Aux/ICS
B	VBD	GPS harness. See table, "Required Harnesses for 'I' configuration guide", previous web page
C	95450	1500 Retrofit switch harness
D	95260	1500 Type 2 Intercom harness
E	95299	Universal power harness
F	95375	AuxSwitchSet
G	VBD	Stereo Device Harness
H	95449	Aux Audio Extender
I	VBD	Switch Assy.

Bike: 1500 with Kennedy Retrofit  
 GPS: Stereo capable. Cell phone either not used or not supported.

I-C-3



Item	Part number	Description
A	95445	CellSet, MC/GPS-Aux/ICS
B	VBD	GPS harness. See table, "Required Harnesses for 'I' configuration guide", previous web page
C	95450	1500 Retrofit switch harness
D	95260	1500 Type 2 Intercom harness
E	95299	Universal power harness
F	95369	DualAuxADSet
G	VBD	Stereo Device Harness
H	VBD	Alert Device Harness
I	95449	Aux Audio Extender
J	VBD	Switch Assy