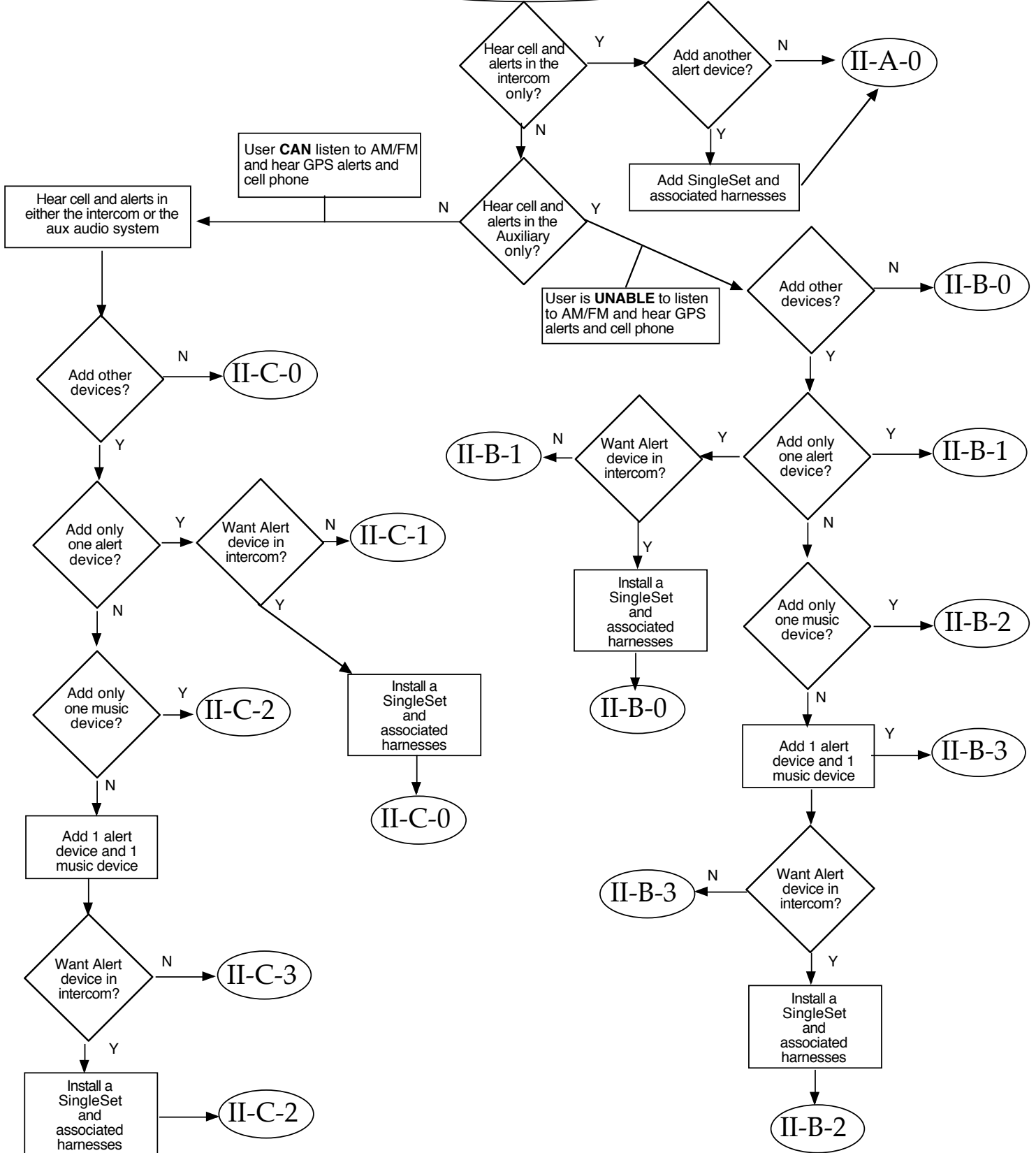


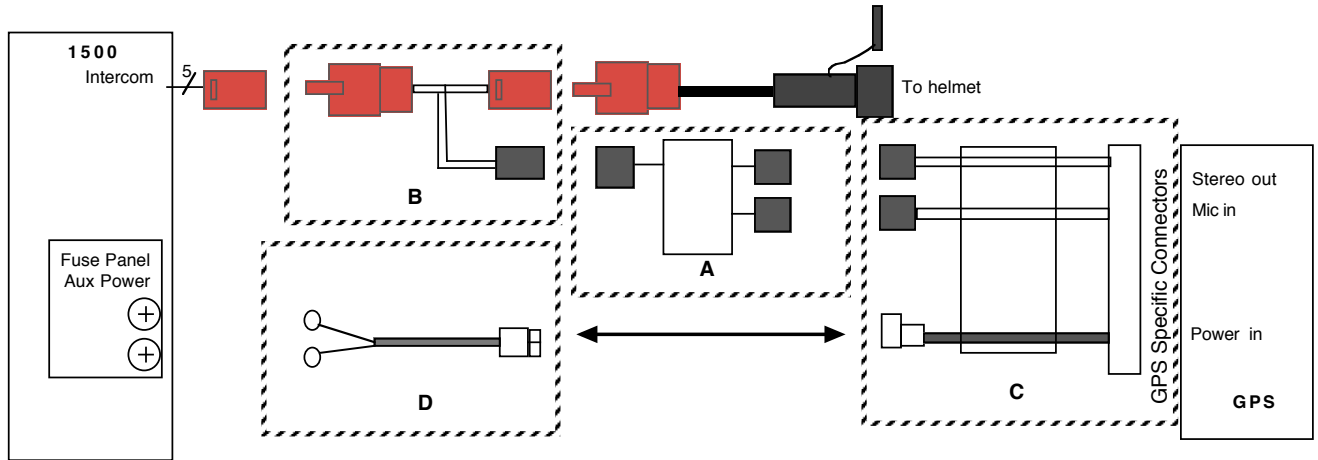
## II - GPS and Cell phone (with or without Music)



Bike: 1500  
 GPS: Cell phone capable

# II-A-0

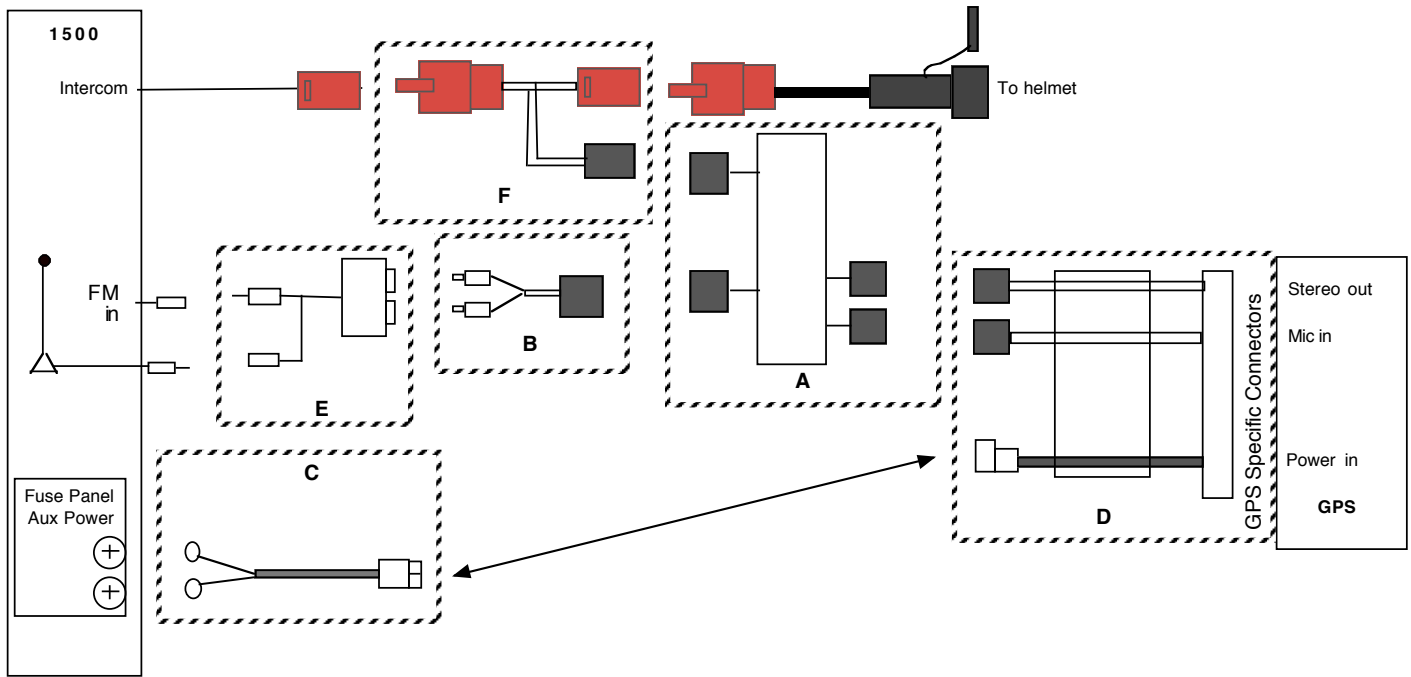
Not recommended for Music



Item	Part number	Description
A	95413	CellSet MC/GPS-ICS/MIC
B	95260	1500 Type 2 intercom harness
C	VBD	GPS harness. See table, "Required Harnesses for 'II' configuration guide", previous web page
D	95299	Universal power harness

Bike: 1500  
 GPS: Cell phone capable

II-B-0



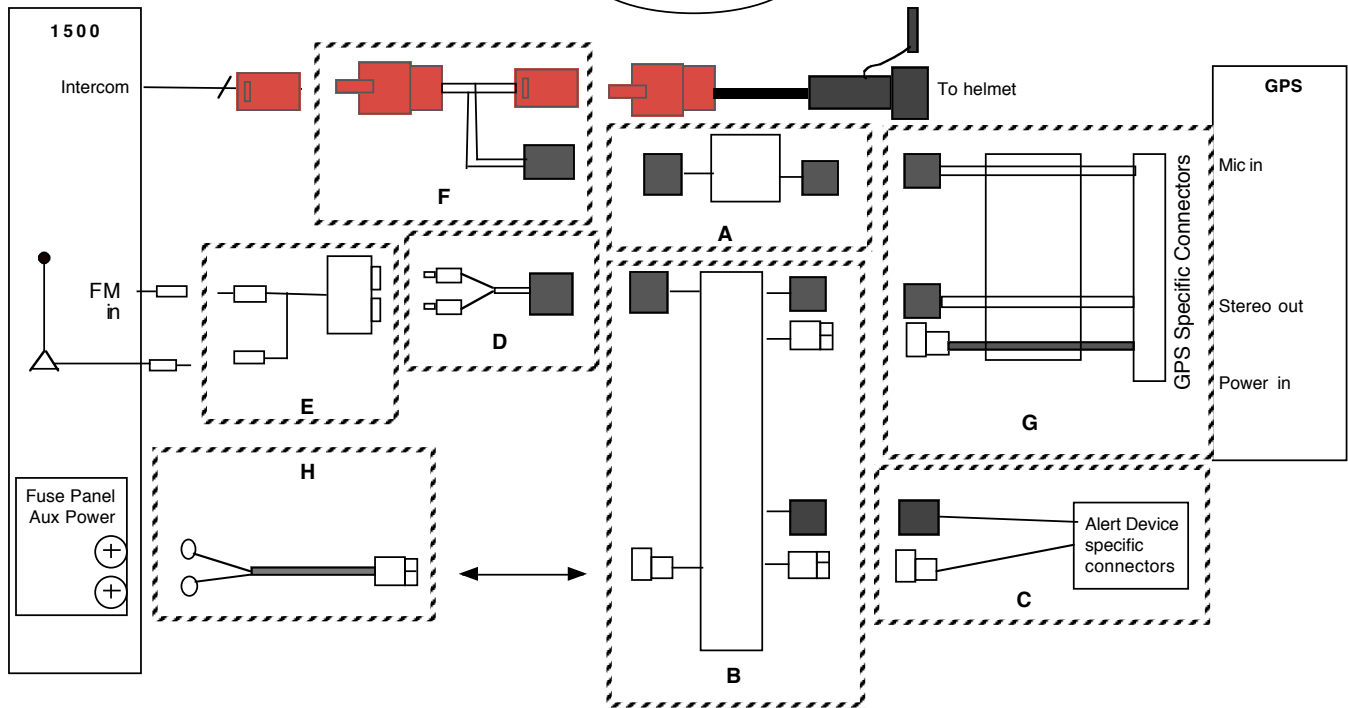
Item	Part number	Description
A	95415	CellSet, MC/GPS-AUX/MIC
B	95442	FM Modulator Aux audio harness
C	95299	Universal power harness
D	VBD	GPS harness. See table, "Required Harnesses for 'II' configuration guide", previous web page
E	92084	FM Modulator
F	95260	1500 Type 2 intercom harness

Note: For Cassette adapter interface:  
 delete Item E,  
 replace B, with 95389

Cassette adapter is user supplied

Bike: 1500  
 GPS: Cell phone capable

## II-B-1



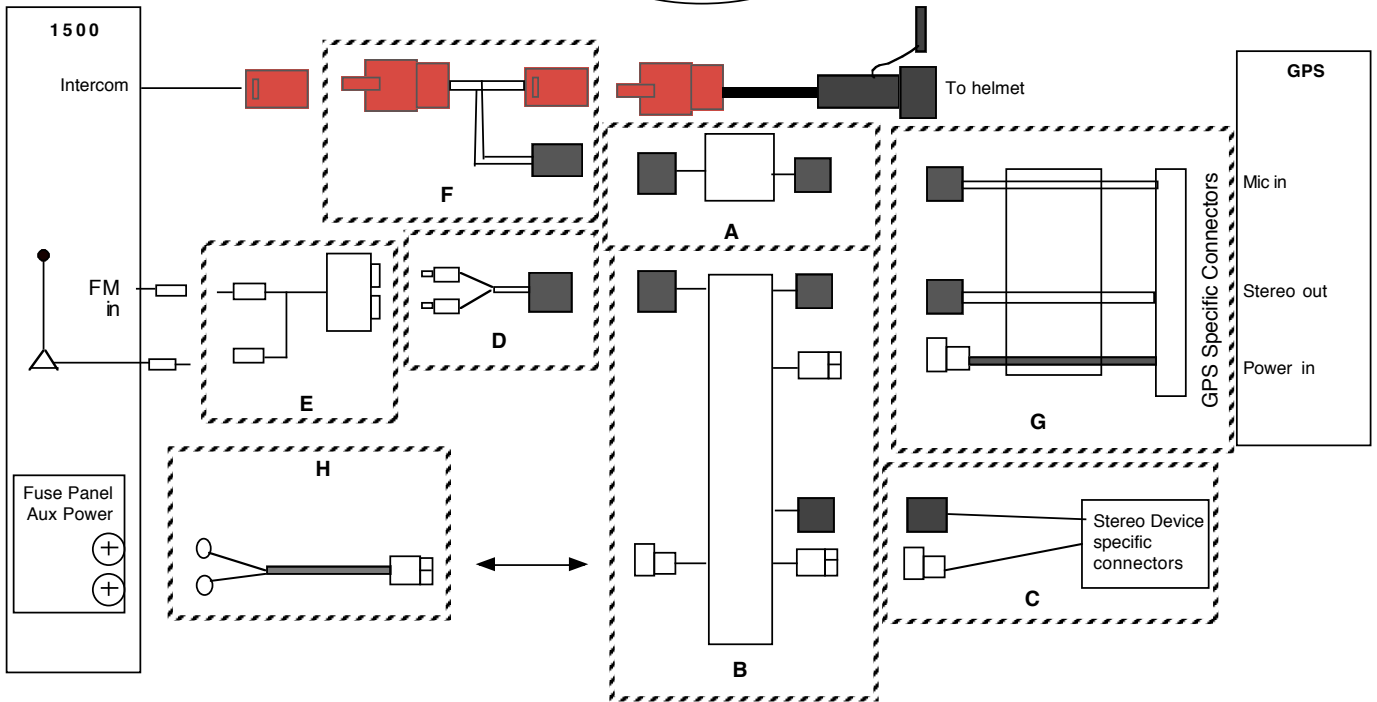
Item	Part number	Description
A	95416	CellSet, MC/GPS-MIC
B	95409	SingleAuxADSet
C	VBD	Alert Device Harness
D	95442	FM Modulator Aux audio harness
E	92084	FM Modulator
F	95260	1500 Type 2 intercom harness
G	VBD	GPS harness. See table, "Required Harnesses for 'II' configuration guide", previous web page
H	95299	Universal power harness

Note: For Cassette adapter interface:  
 delete Item E.  
 Replace D, with 95389

Cassette adapter is user supplied

Bike: 1500  
 GPS: Cell phone capable

## II-B-2



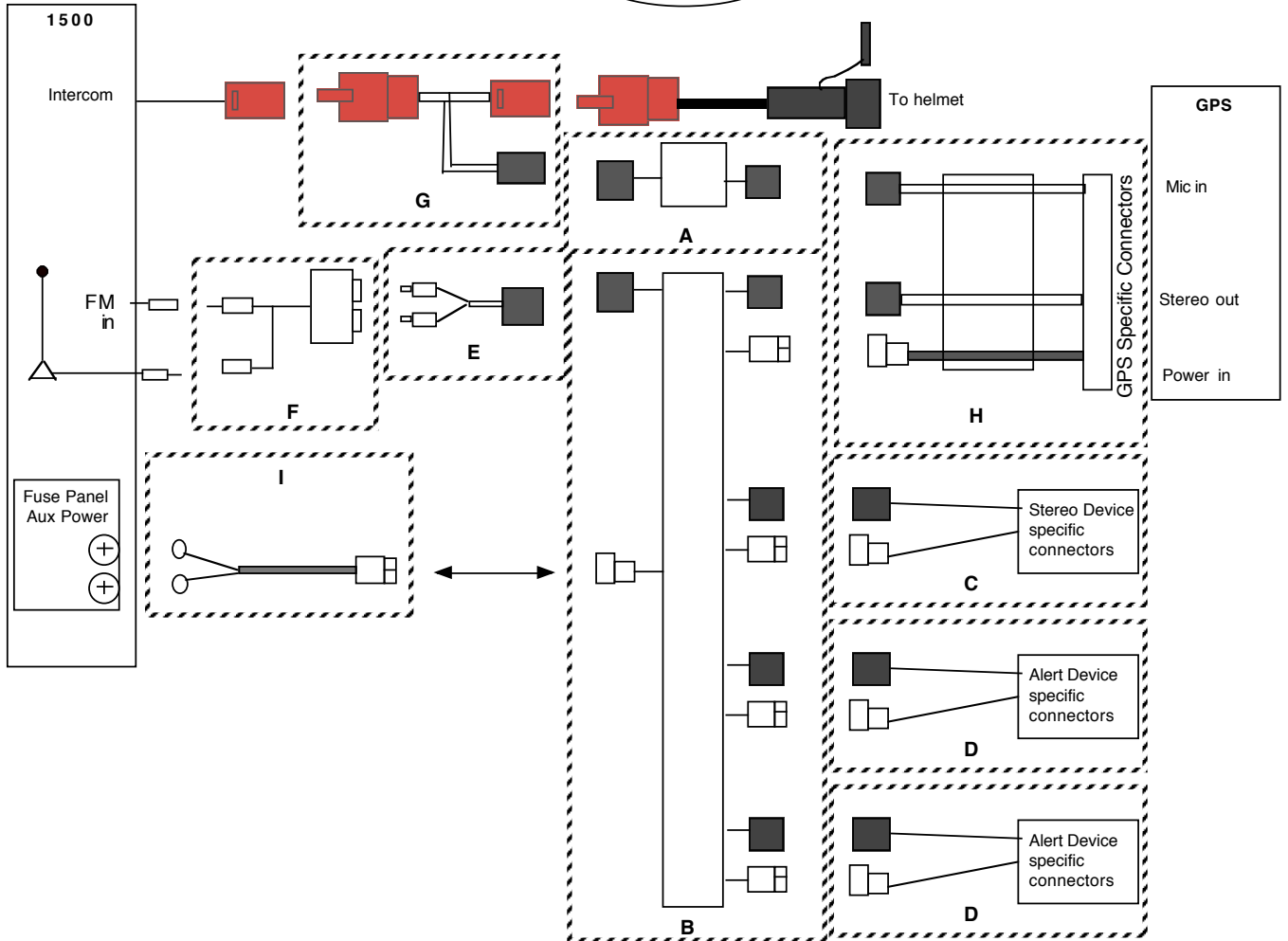
Item	Part number	Description
A	95416	CellSet, MC/GPS-MIC
B	95375	AuxSwitchSet
C	VBD	Stereo Device Harness
D	95442	FM Modulator Aux audio harness
E	92084	FM Modulator
F	95260	1500 Type 2 intercom harness
G	VBD	GPS harness. See table, "Required Harnesses for 'II' configuration guide", previous web page
H	95299	Universal power harness

Note: For Cassette adapter interface:  
 delete Item E.  
 Replace D, with 95389

Cassette adapter is user supplied

Bike: 1500  
 GPS: Cell phone capable

II-B-3



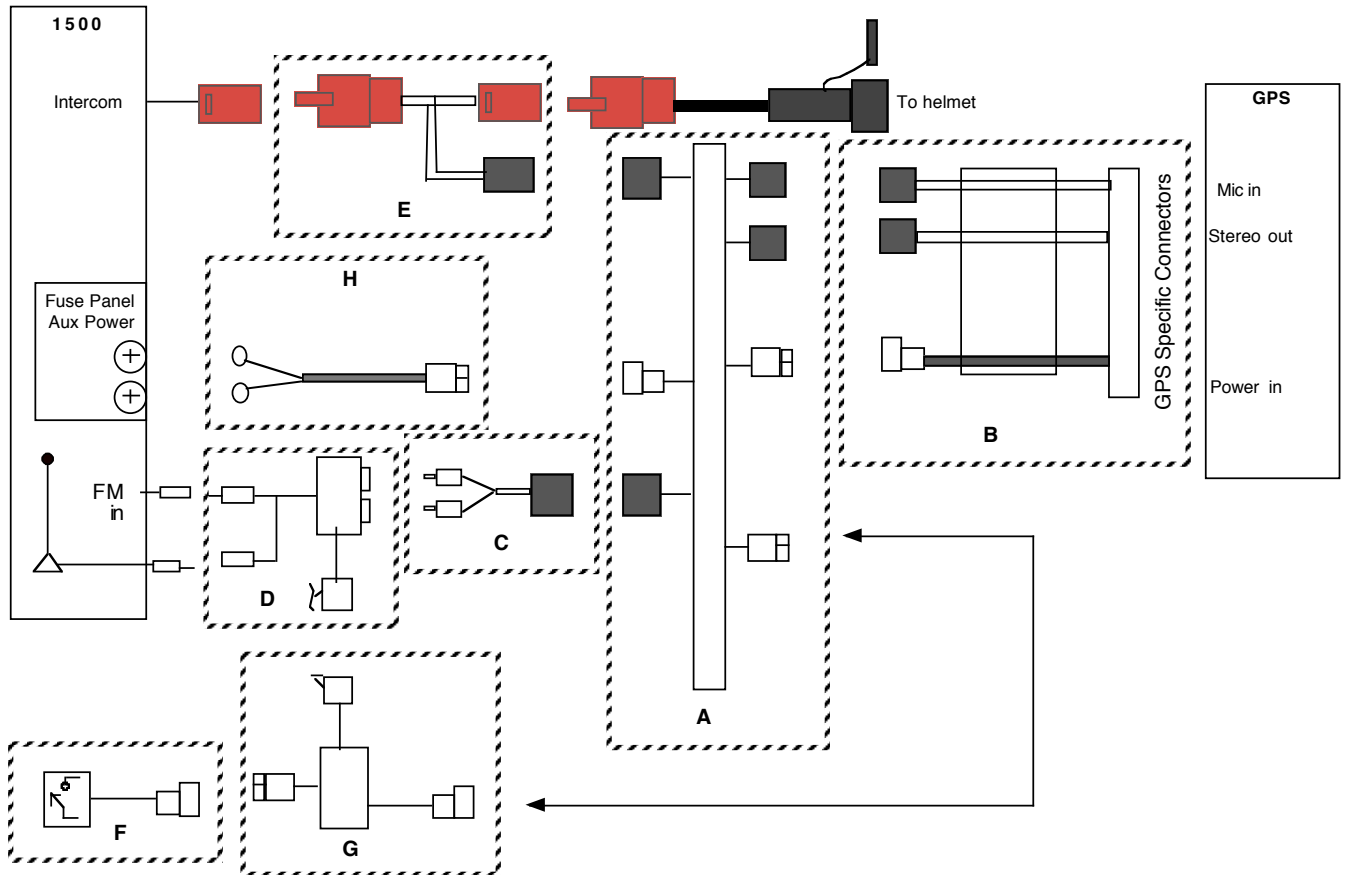
Item	Part number	Description
A	95416	CellSet, MC/GPS-MIC
B	95369	DualAuxADSet
C	VBD	Stereo Device Harness
D	VBD	Alert Device Harness
E	95442	FM Modulator Aux audio harness
F	92084	FM Modulator
G	95260	1500 Type 2 intercom harness
H	VBD	GPS harness. See table, "Required Harnesses for 'II' configuration guide", previous web page
I	95299	Universal power harness

Note: For Cassette adapter interface:  
 delete Item F.  
 Replace E, with 95389

Cassette adapter is user supplied

Bike: 1500  
 GPS: Cell phone capable

# II-C-0



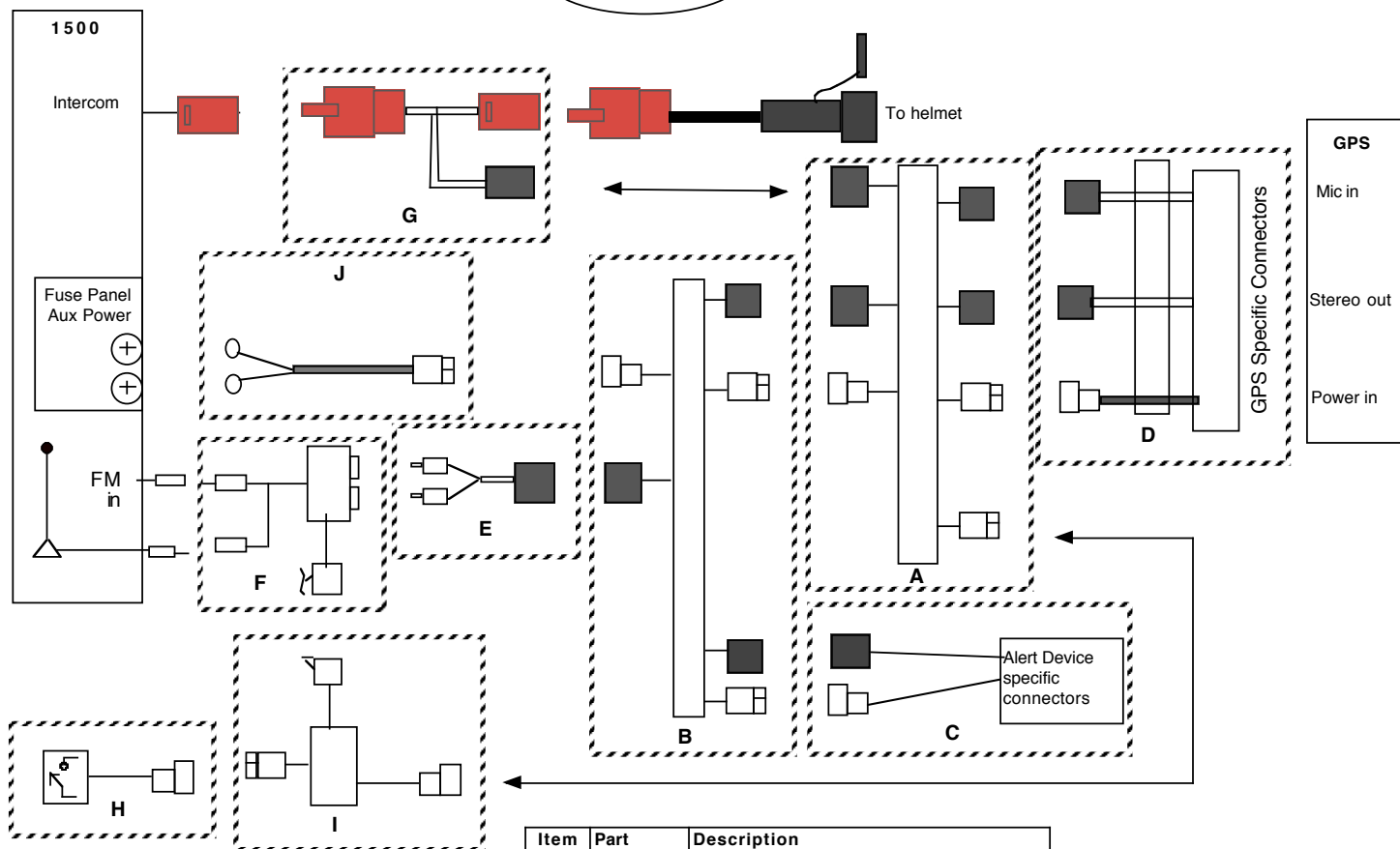
Item	Part	Description
A	95441	CellSet, MC/GPS3
B	VBD	GPS harness. See table, "Required Harnesses for 'II' configuration guide", previous web page
C	95442	FM Modulator Aux audio harness
D	92084	FM Modulator
E	95260	1500 Type 2 Intercom harness
F	VBD	Switch or Relay Timer Assembly
G	95443	FM Modulator power relay
H	95299	Universal power harness

Note: For Cassette adapter interface:  
 delete Items, D and G,  
 replace C, with 95389

Cassette adapter is user supplied

Bike: 1500  
 GPS: Cell phone capable

## II-C-1



Item	Part number	Description
A	95441	CellSet, MC/GPS3
B	95409	SingleAuxADSet
C	VBD	Alert Device Harness
D	VBD	GPS harness. See table, "Required Harnesses for 'II' configuration guide", previous web page
E	95442	FM Modulator Aux audio harness
F	92084	FM Modulator
G	95260	1500 Type 2 Intercom harness
H	VBD	Switch or Relay Timer Assembly
I	95443	FM Modulator power relay
J	95299	Universal power harness

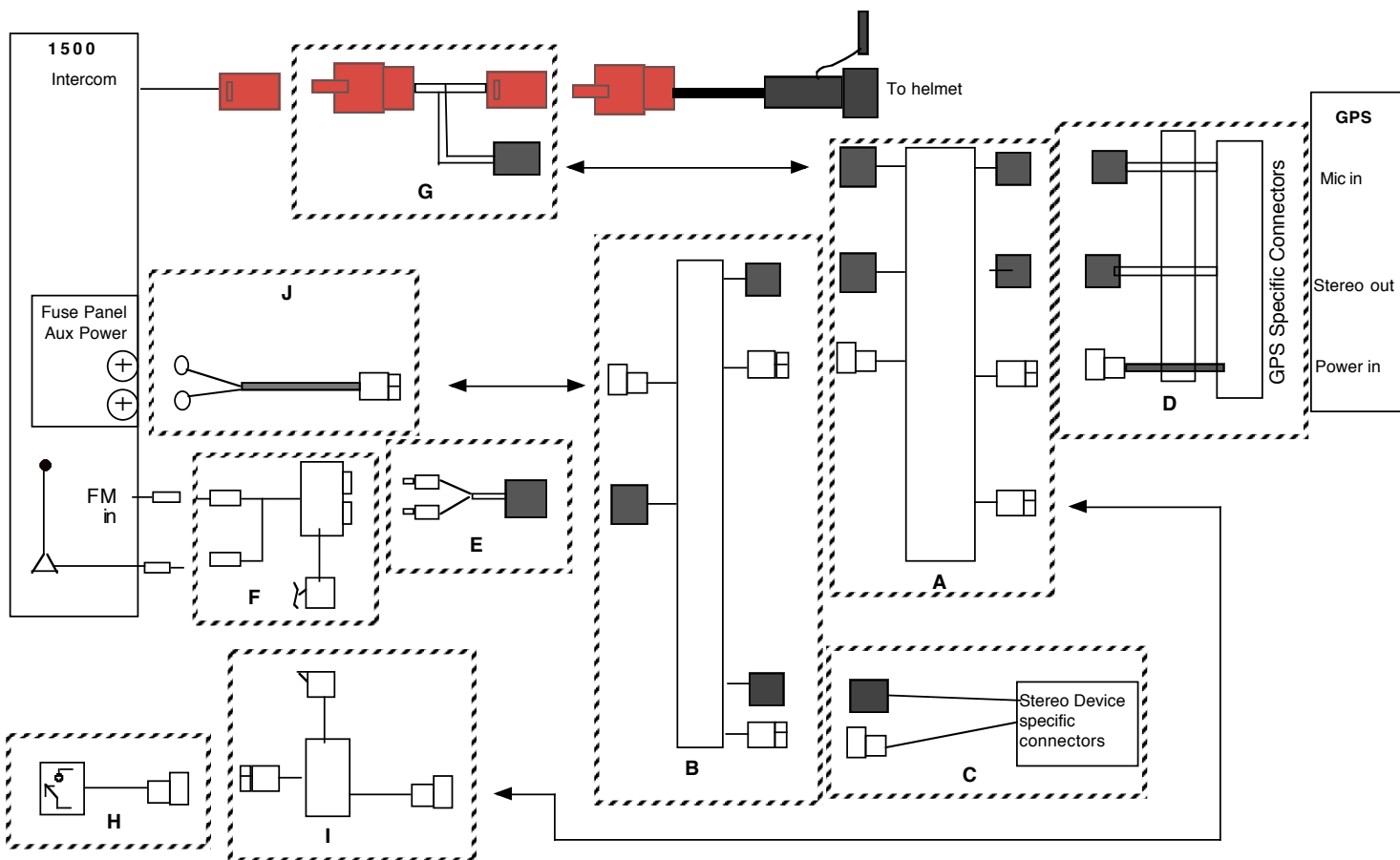
Note: For Cassette adapter interface:  
 delete Items, F and I  
 replace E, with 95389

Cassette adapter is user supplied



Bike: 1500  
 GPS: Cell phone capable

## II-C-2



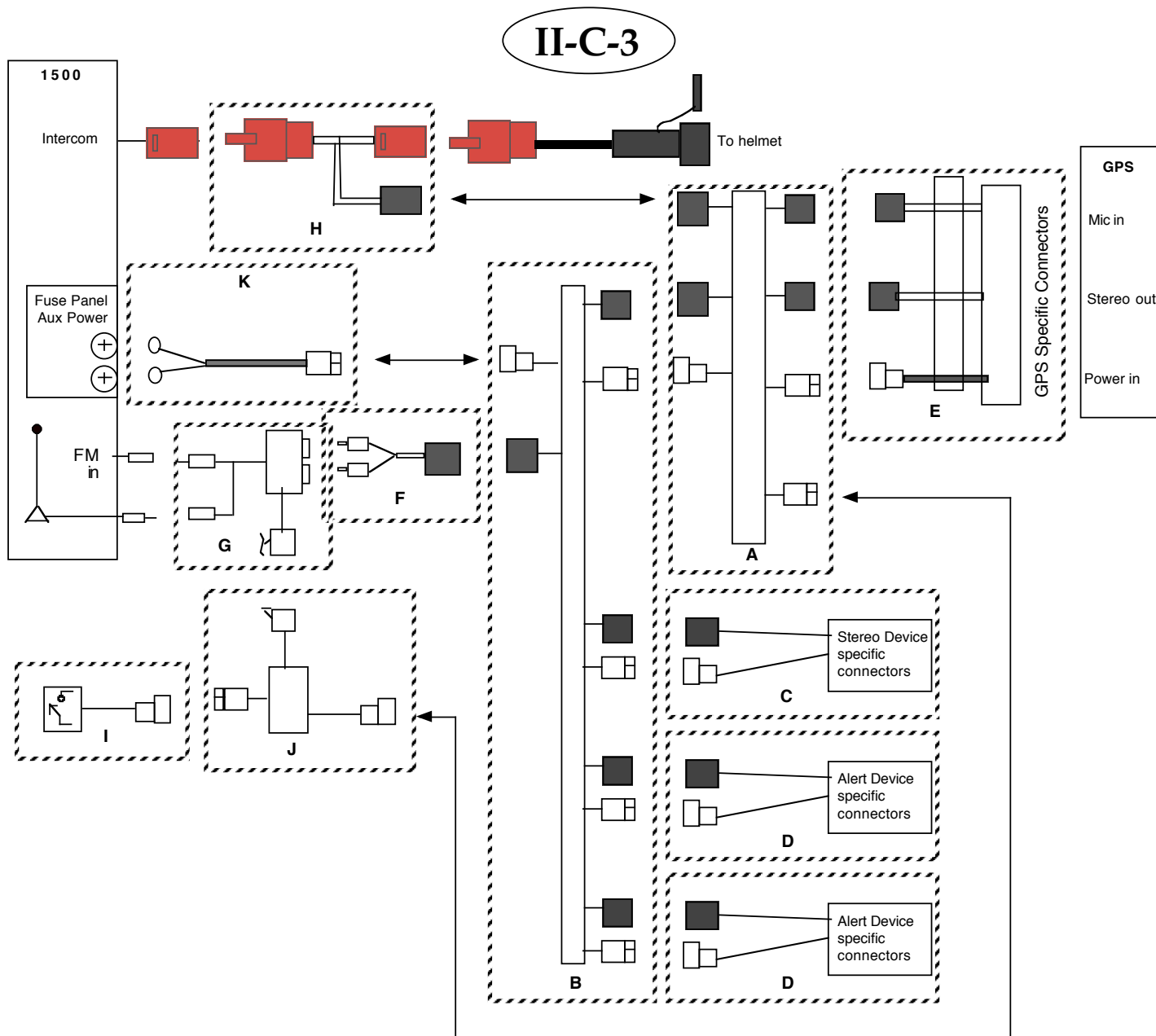
Item	Part number	Description
A	95441	CellSet, MC/GPS3
B	95375	AuxSwitchSet
C	VBD	Stereo Device Harness
D	VBD	GPS harness. See table, "Required Harnesses for 'II' configuration guide", previous web page
E	95442	FM Modulator Aux audio harness
F	92084	FM Modulator
G	95260	1500 Type 2 Intercom harness
H	VBD	Switch or Relay Timer Assembly
I	95443	FM Modulator power relay
J	95299	Universal power harness

Note: For Cassette adapter interface:  
 delete Items, F and I  
 replace E, with 95389

Cassette adapter is user supplied

Bike: 1500  
 GPS: Cell phone capable

## II-C-3



Item	Part number	Description
A	95441	CellSet, MC/GPS3
B	95369	DualAuxADSet
C	VBD	Stereo Device Harness
D	VBD	Alert Device Harness
E	VBD	GPS harness. See table, "Required Harnesses for 'II' configuration guide", previous web page
F	95442	FM Modulator Aux audio harness
G	92084	FM Modulator
H	95260	1500 Type 2 Intercom harness
I	VBD	Switch or Relay Timer Assembly
J	95443	FM Modulator Power relay
K	95299	Universal power harness

Note: For Cassette adapter interface:  
 delete Items, G and J  
 replace F, with 95389

Cassette adapter is user supplied