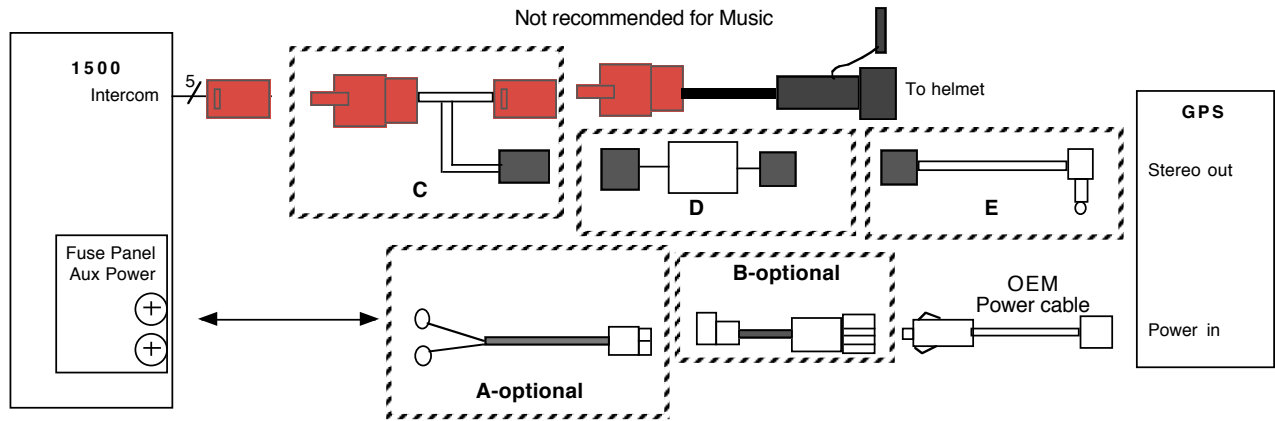


Bike: 1500  
 GPS: Stereo capable. Cell phone either not used or not supported.

**I-A-0**



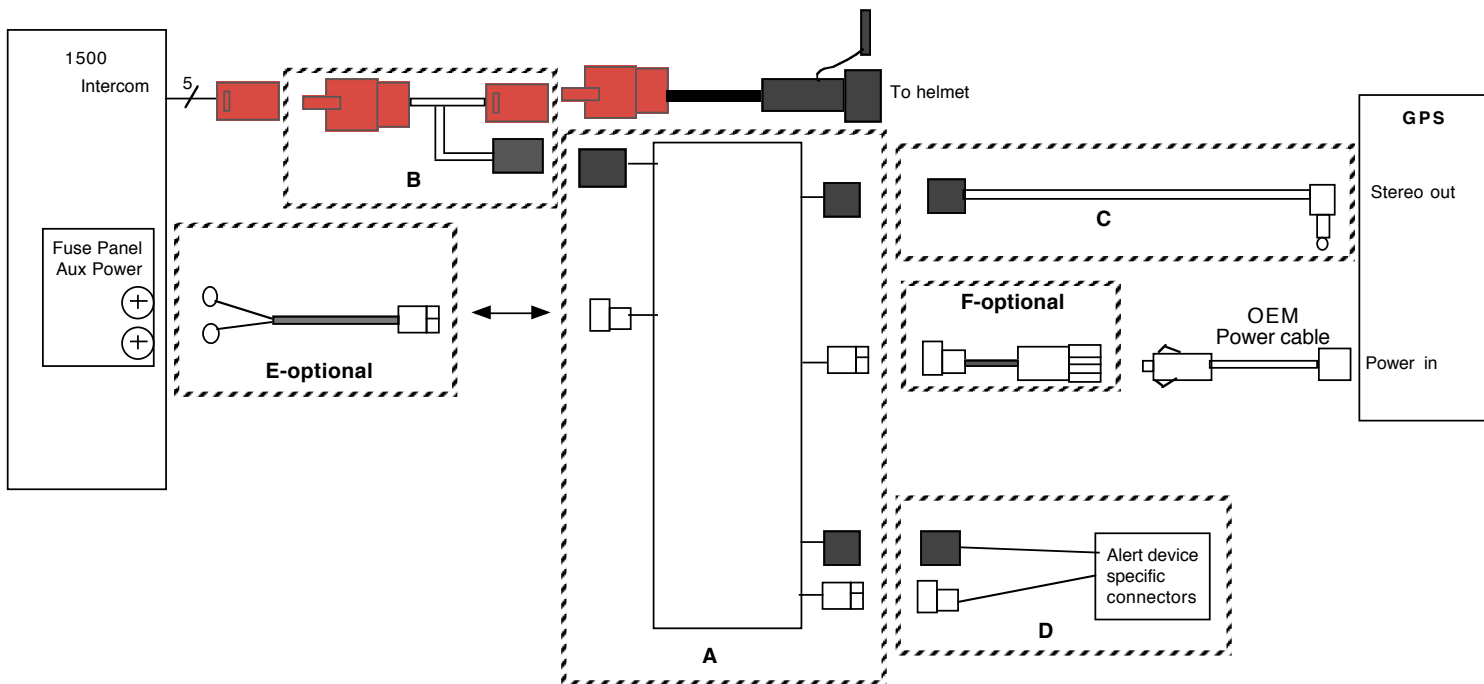
Item	Part number	Description
A	95299	Universal power harness
B	95387	Cig Lighter Socket
C	95260	1500 Type 2 intercom harness
D	95459	SingleSet2.2
E	VBD	GPS alert harness, see table, below

Manufacturer	Model	Part
Garmin	2730, 2820	95211, Item B, and OEM power cable not required
Any	Has 3.5mm diameter stereo jack	95206, OEM power cable required

**Bike: 1500**  
**GPS: Stereo capable. Cell phone either not used or not supported.**

# I-A-1

Not recommended for Music

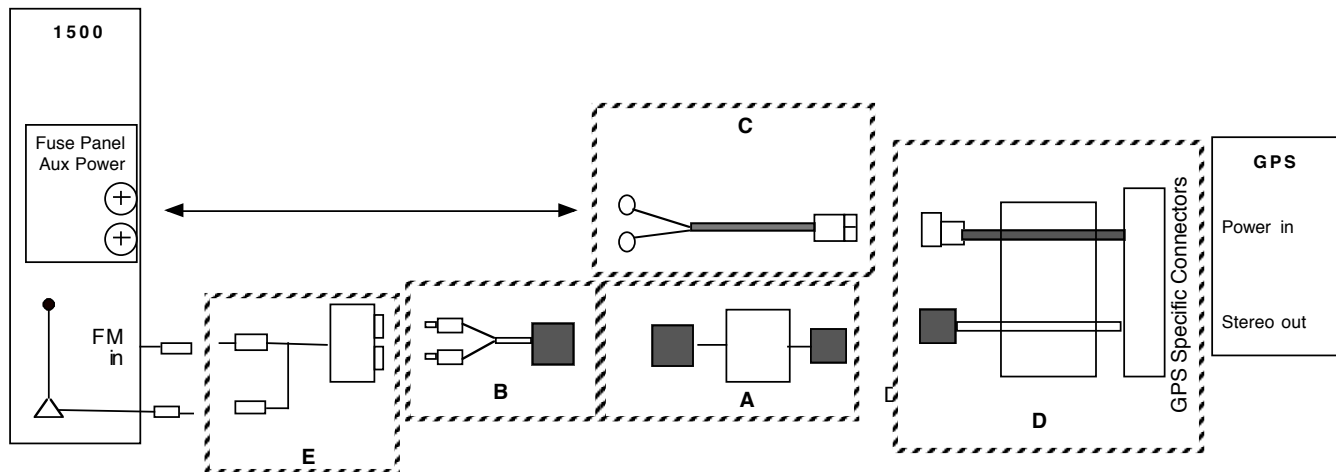


Item	Part number	Description
A	95460	DualSet2..2
B	95260	1500 Type 2 intercom harness
C	VBD	GPS alert harness, see table, below
D	<b>VBD</b>	Alert device harness
E	95299	universal power harness
F	95387	Cig Lighter Socket

Manufacturer	Model	Part
Garmin	2730, 2820	95211, Item F, and OEM power cable not required
Any	Has 3.5mm diameter stereo jack	95206, OEM power cable required

**Bike: 1500**  
**GPS: Stereo capable. Cell phone either not used or not supported.**

**I-B-0**



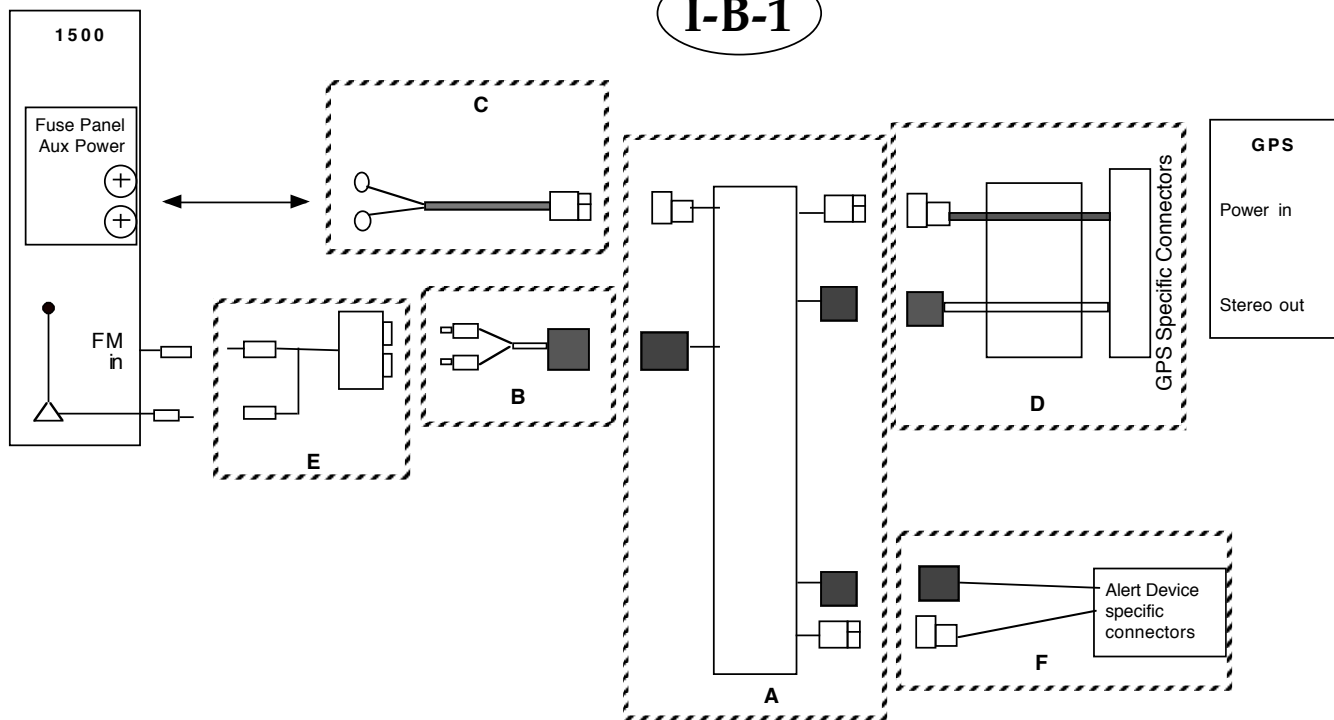
Item	Part number	Description
A	95376	IsoSet2
B	95442	FM Modulator Aux Audio Harness
C	95299	Universal power harness
D	VBD	GPS harness. See table, "Required Harnesses for 'I' configuration guide", previous web page
E	92084	FM Modulator

Note: For Cassette adapter interface:  
delete Item E  
replace B, with 95389

Cassette adapter is user supplied

Bike: 1500  
 GPS: Stereo capable. Cell phone either not used or not supported.

**I-B-1**



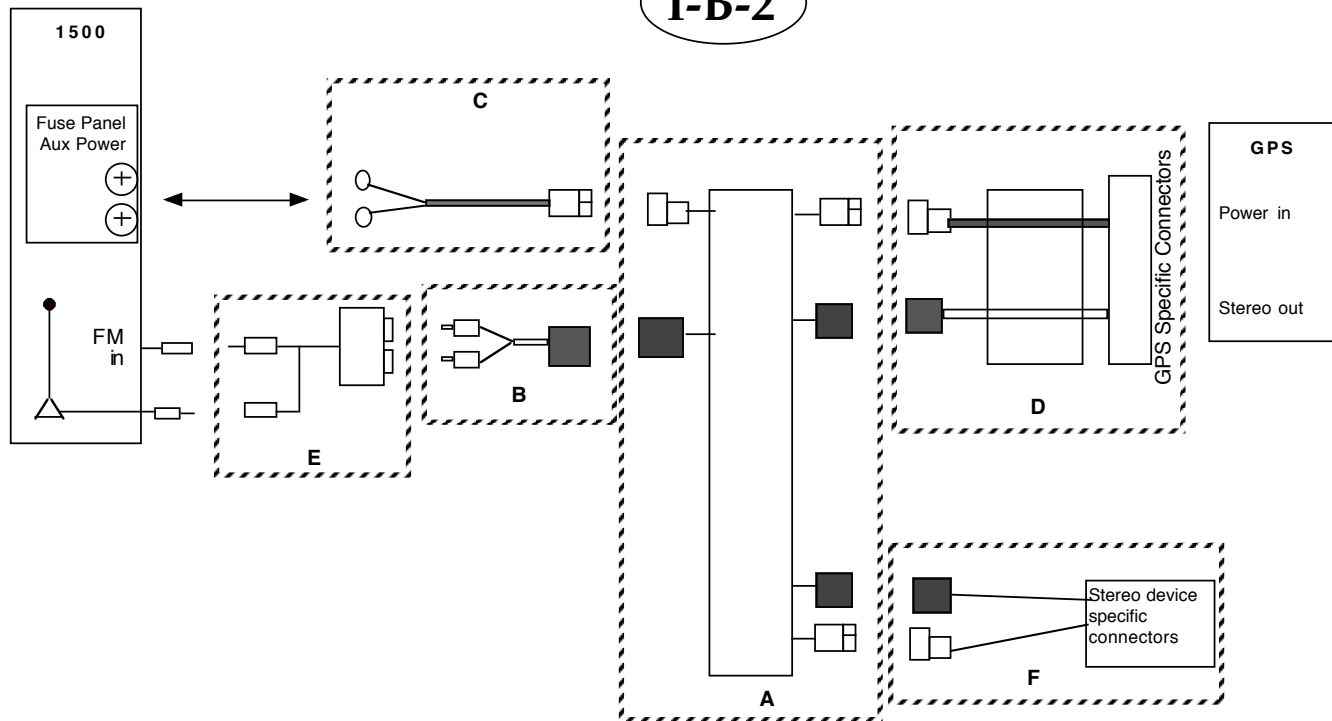
Item	Part number	Description
A	95409	SingleAuxADSet
B	95442	FM Modulator Aux Audio Harness
C	95299	Universal power harness
D	VBD	GPS harness. See table, "Required Harnesses for 'I' configuration guide", previous web page
E	92084	FM Modulator
F	VBD	Alert Device Harness

Note: For Cassette adapter interface:  
 delete Item E  
 replace B, with 95389

Cassette adapter is user supplied

Bike: 1500  
 GPS: Stereo capable. Cell phone either not used or not supported.

I-B-2

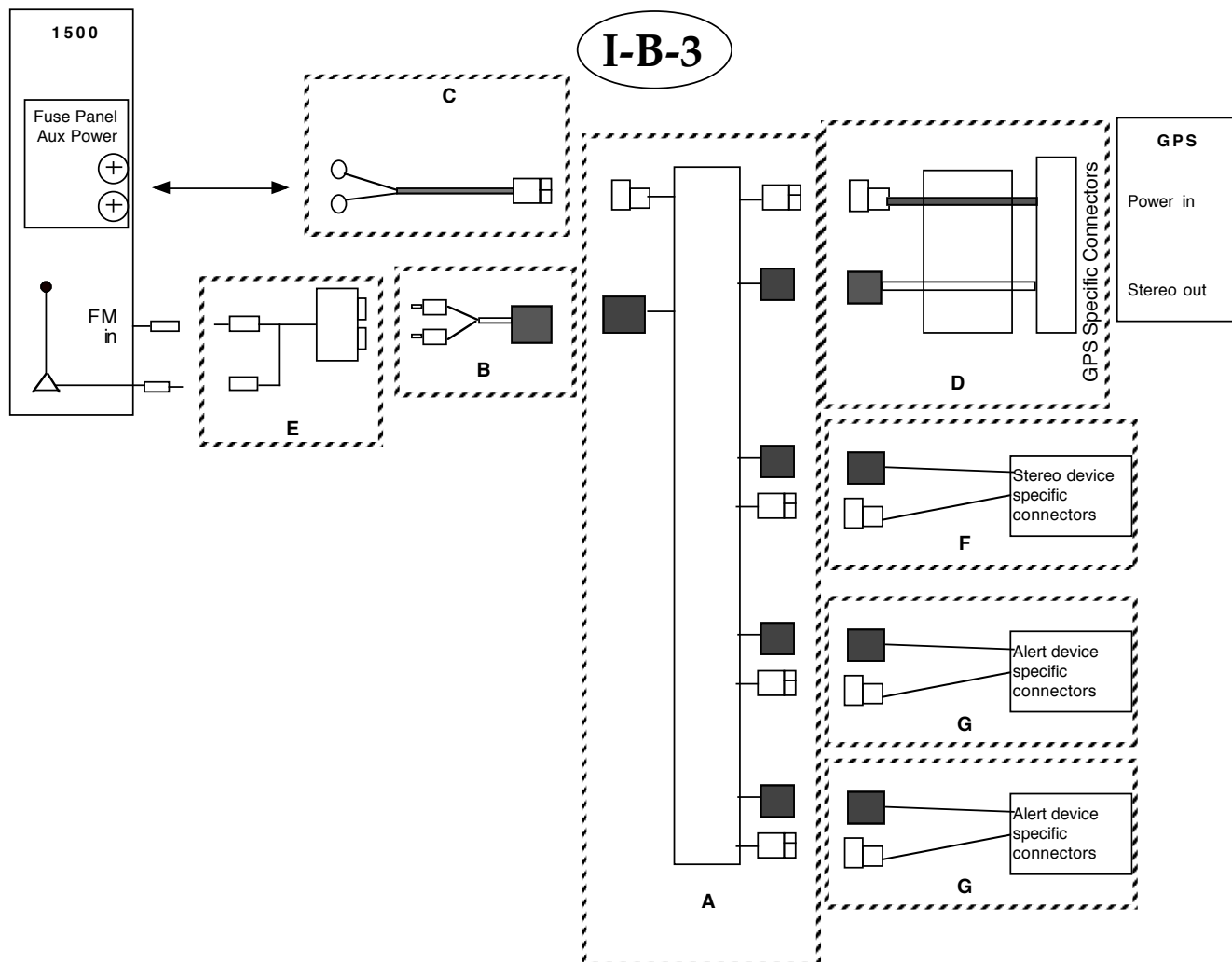


Item	Part number	Description
A	95375	AuxSwitchSet
B	95442	FM Modulator Aux Audio Harness
C	95299	Universal power harness
D	VBD	GPS harness. See table, "Required Harnesses for 'I' configuration guide", previous web page
E	92084	FM Modulator
F	VBD	Alert Device Harness

Note: For Cassette adapter interface:  
 delete Item E  
 replace B, with 95389

Cassette adapter is user supplied

**Bike: 1500**  
**GPS: Stereo capable. Cell phone either not used or not supported.**



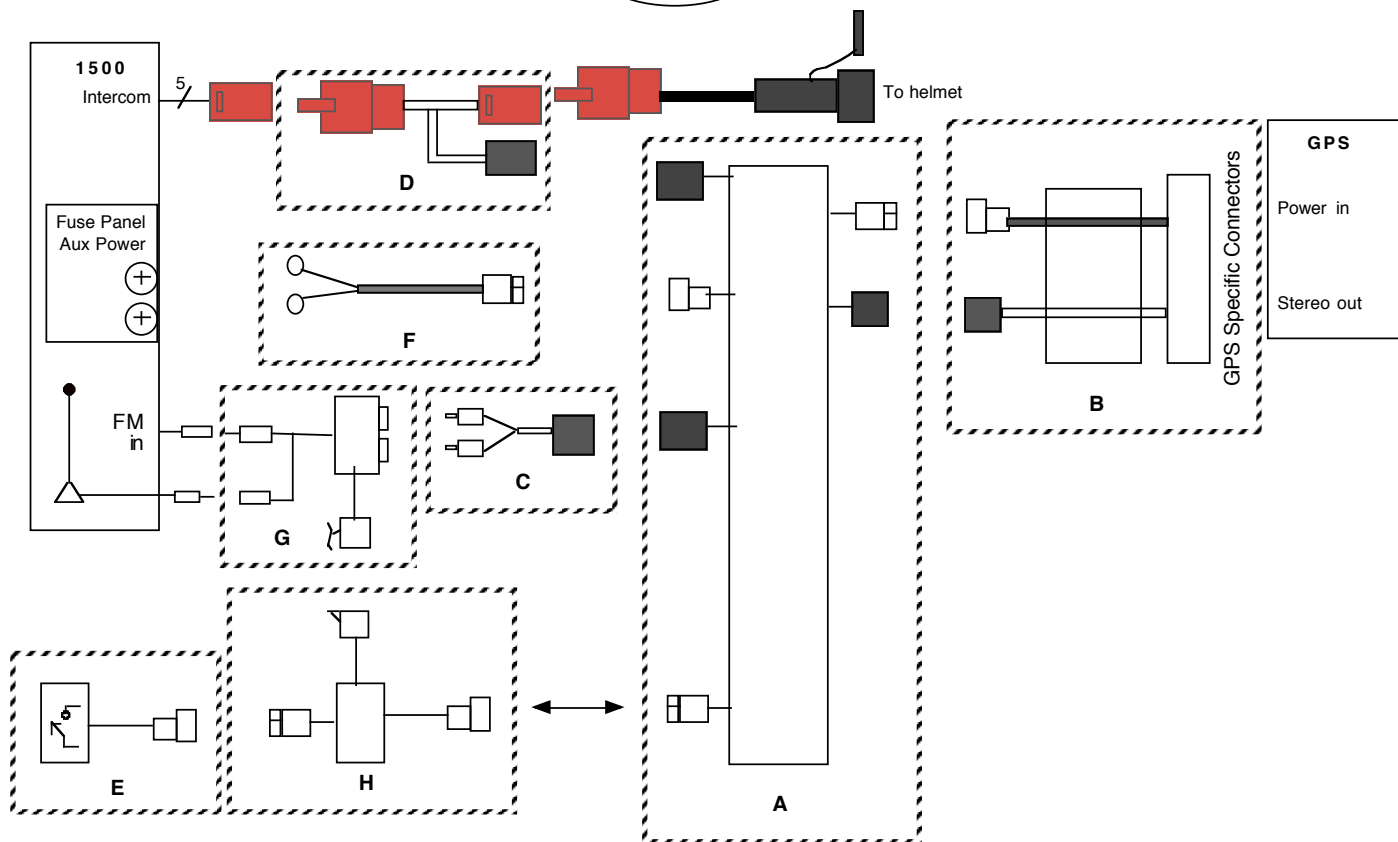
Item	Part number	Description
A	95369	DualAuxADSet
B	95442	FM Modulator Aux Audio Harness
C	95299	Universal power harness
D	VBD	GPS harness. See table, "Required Harnesses for 'I' configuration guide", previous web page
E	92084	FM Modulator
F	VBD	Stereo Device Harness
G	VBD	Alert Device Harness

Note: For Cassette adapter interface:  
delete Item E  
replace B, with 95389

Cassette adapter is user supplied

Bike: 1500  
 GPS: Stereo capable. Cell phone either not used or not supported.

I-C-0



Item	Part number	Description
A	95445	CellSet, MC/GPS-AUX/ICS
B	VBD	GPS harness. See table, "Required Harnesses for 'I' configuration guide", previous web page
C	95442	FM Modulator Aux Audio Harness
D	95260	1500 Type 2 Intercom harness
E	VBD	Switch or Relay Timer Assembly
F	95299	Universal power harness
G	92084	FM Modulator
H	95443	FM Modulator power relay

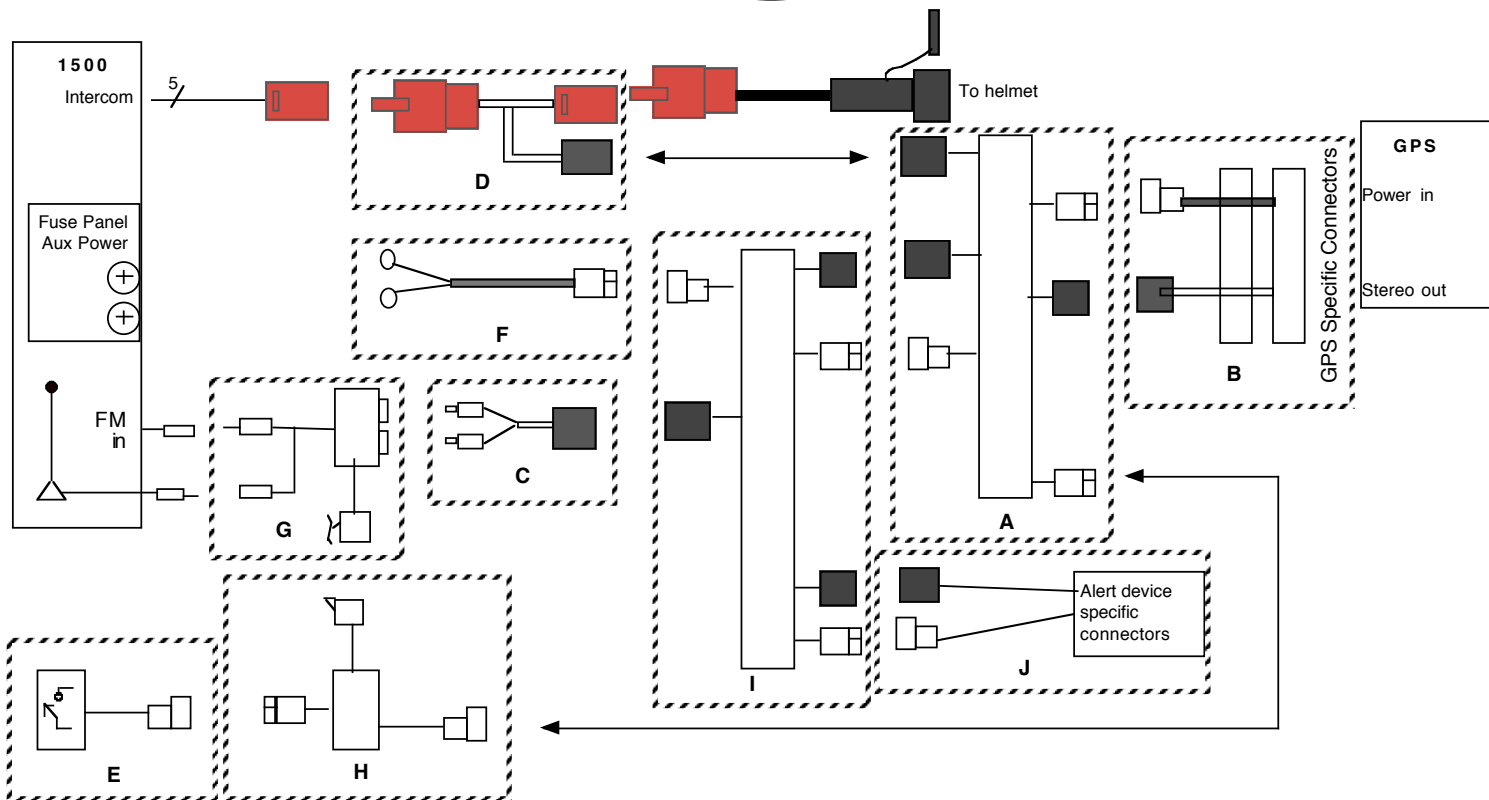
Note: For Cassette adapter interface:  
 delete Items, G and H  
 replace C, with 95389

Cassette adapter is user supplied



**Bike: 1500**  
**GPS: Stereo capable. Cell phone either not used or not supported.**

**I-C-1**



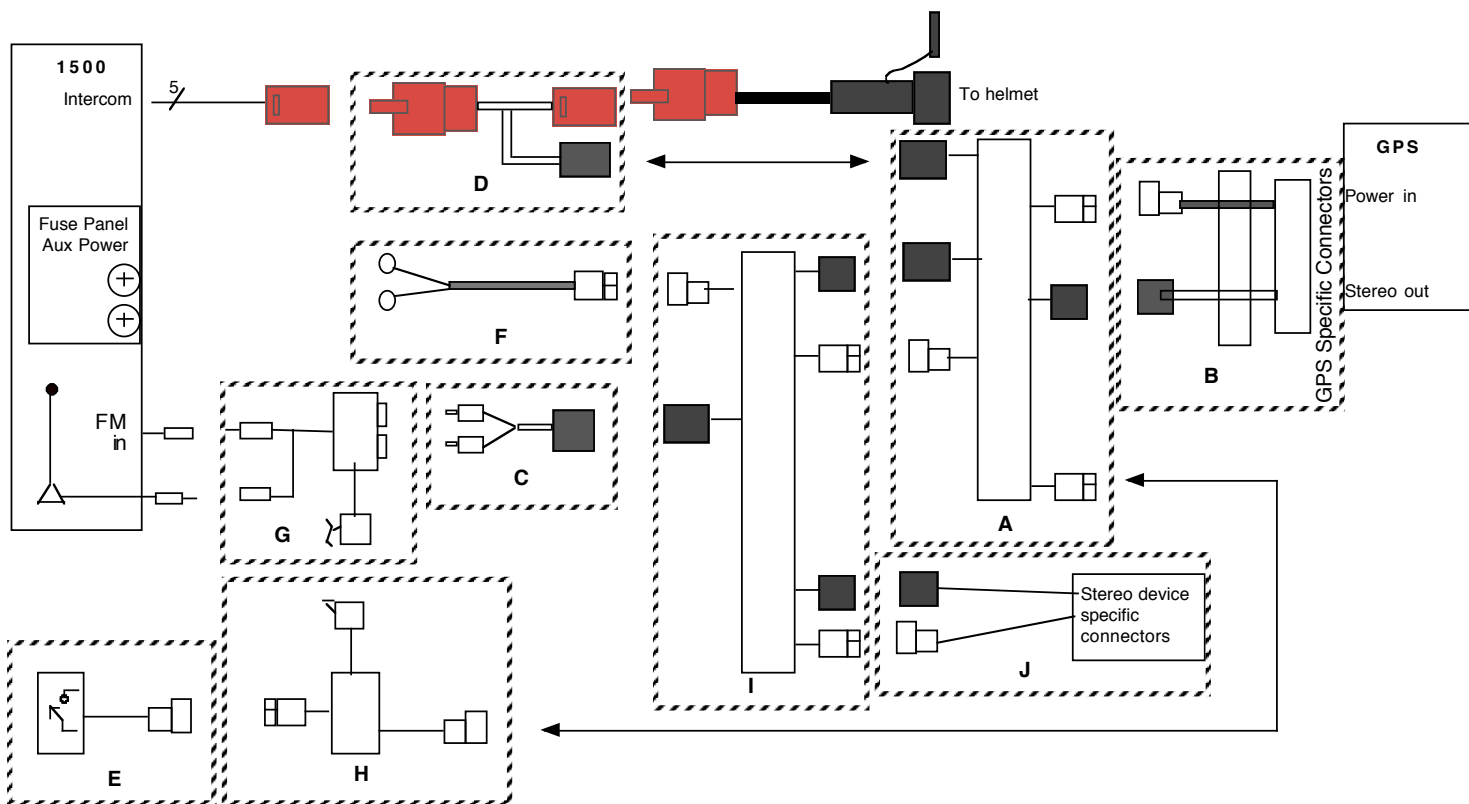
Item	Part number	Description
A	95445	CellSet, MC/GPS-Aux/ICS
B	VBD	GPS harness. See table, "Required Harnesses for 'I' configuration guide", previous web page
C	95442	FM Modulator Aux Audio Harness
D	95260	1500 Type 2 Intercom harness
E	VBD	Switch or Relay Timer Assembly
F	95299	universal power harness
G	92084	FM Modulator
H	95443	FM Modulator power relay
I	95409	SingleAuxADSet
J	<b>VBD</b>	<b>Alert Device Harness</b>

Note: For Cassette adapter interface:  
 delete Items, G and H  
 replace C, with 95389

Cassette adapter is user supplied

Bike: 1500  
 GPS: Stereo capable. Cell phone either not used or not supported.

I-C-2



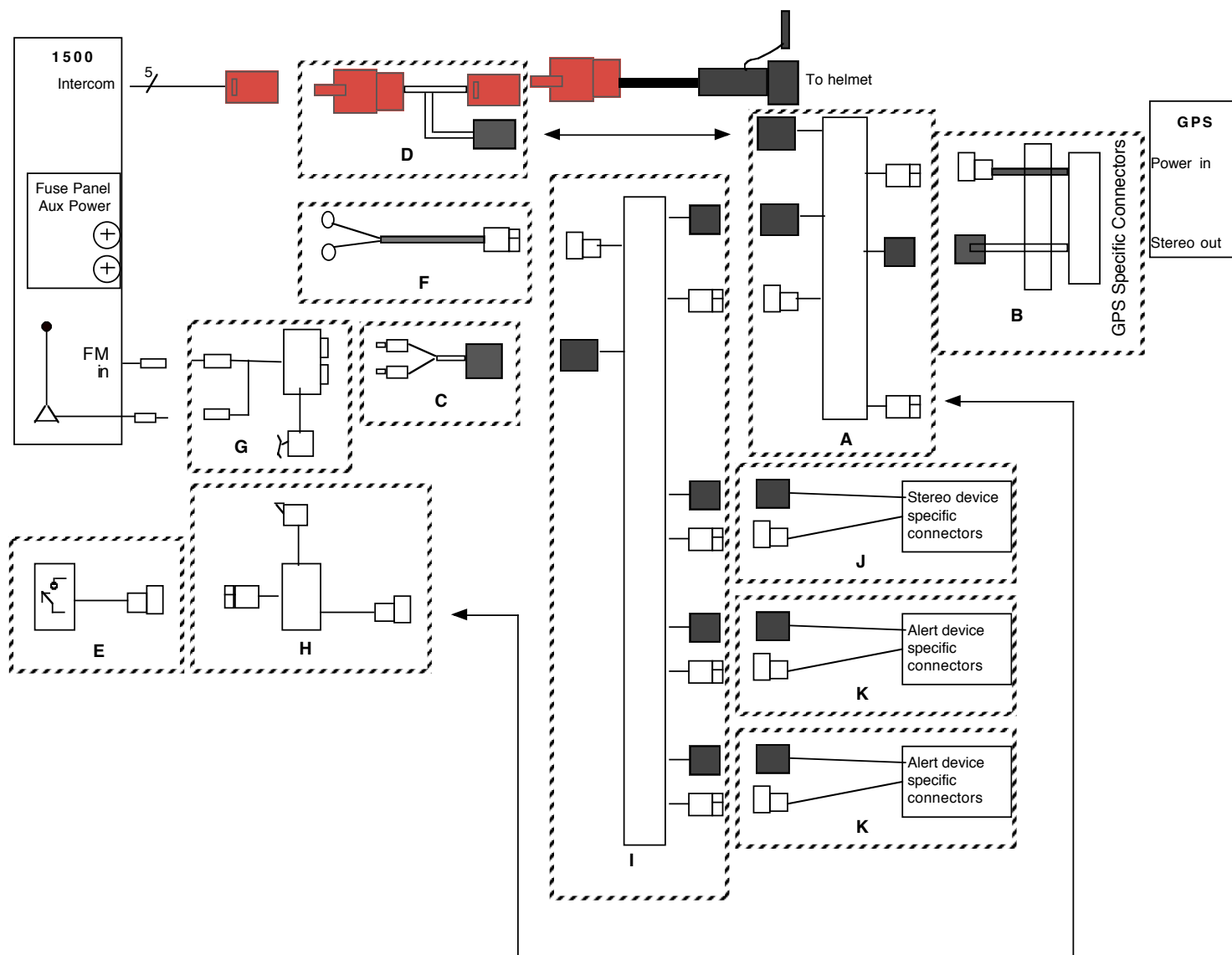
Item	Part number	Description
A	95445	CellSet, MC/GPS-Aux/ICS
B	VBD	GPS harness. See table, "Required Harnesses for 'I' configuration guide", previous web page
C	95442	FM Modulator Aux Audio Harness
D	95260	1500 Type 2 Intercom harness
E	VBD	Switch or Relay Timer Assembly
F	95299	universal power harness
G	92084	FM Modulator
H	95443	FM Modulator power relay
I	95375	AuxSwitchSet
J	VBD	Stereo Device Harness

Note: For Cassette adapter interface:  
 delete Items, G and H  
 replace C, with 95389

Cassette adapter is user supplied

Bike: 1500  
 GPS: Stereo capable. Cell phone either not used or not supported.

I-C-3



Item	Part number	Description
A	95445	CellSet, MC/GPS-Aux/ICS
B	VBD	GPS harness. See table, "Required Harnesses for 'I' configuration guide", previous web page
C	95442	FM Modulator Aux Audio Harness
D	95260	1500 Type 2 Intercom harness
E	VBD	Switch or Relay Timer Assembly
F	95299	universal power harness
G	92084	FM Modulator
H	95443	FM Modulator power relay
I	95369	DualAuxADSet
J	VBD	Stereo Device Harness
K	VBD	Alert Device Harness

Note: For Cassette adapter interface:  
 delete Items, G and H  
 replace C, with 95389

Cassette adapter is user supplied