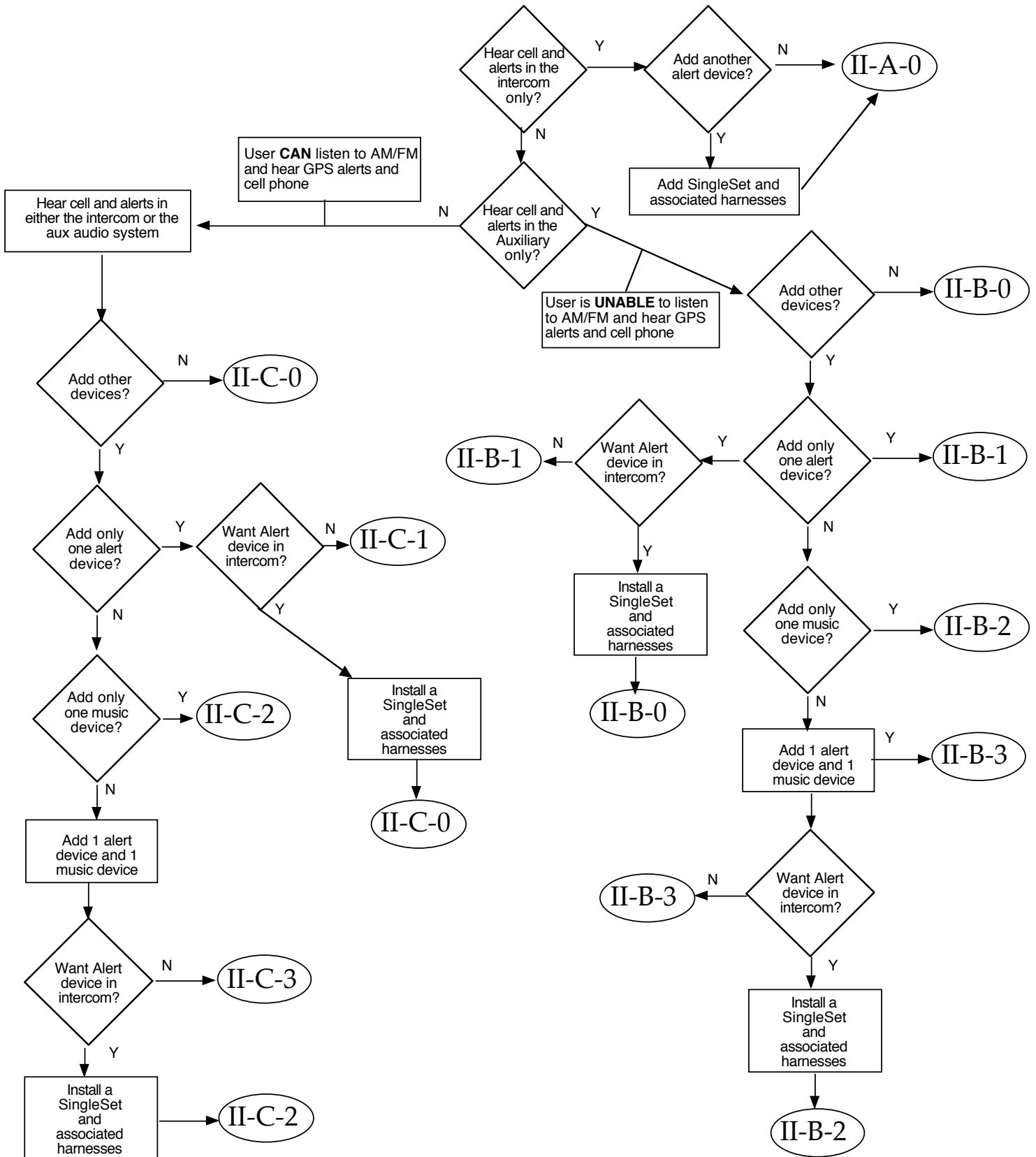


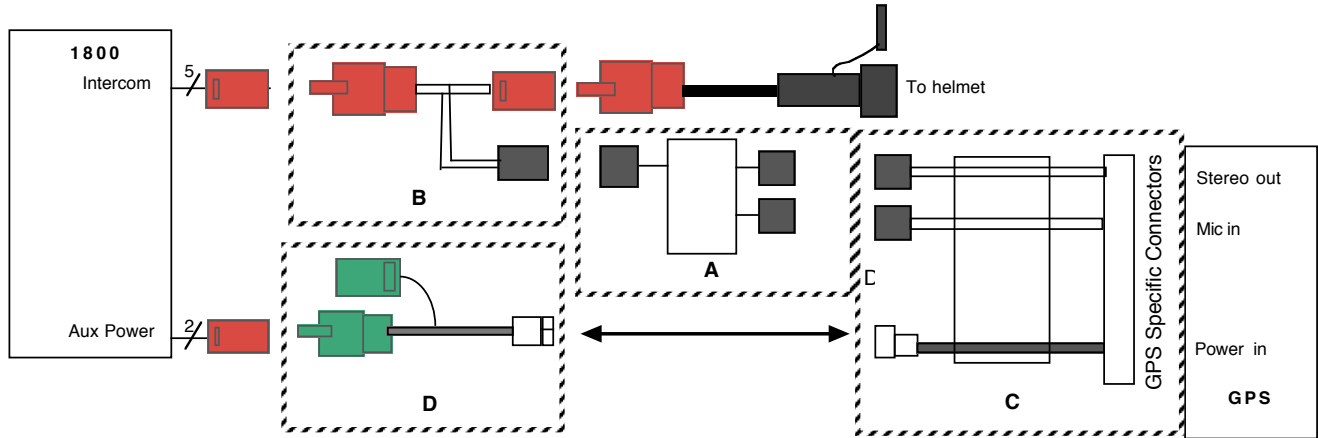
II - GPS and Cell phone  
 (with or without Music)



Bike: 1800  
 GPS: Cell phone capable

# II-A-0

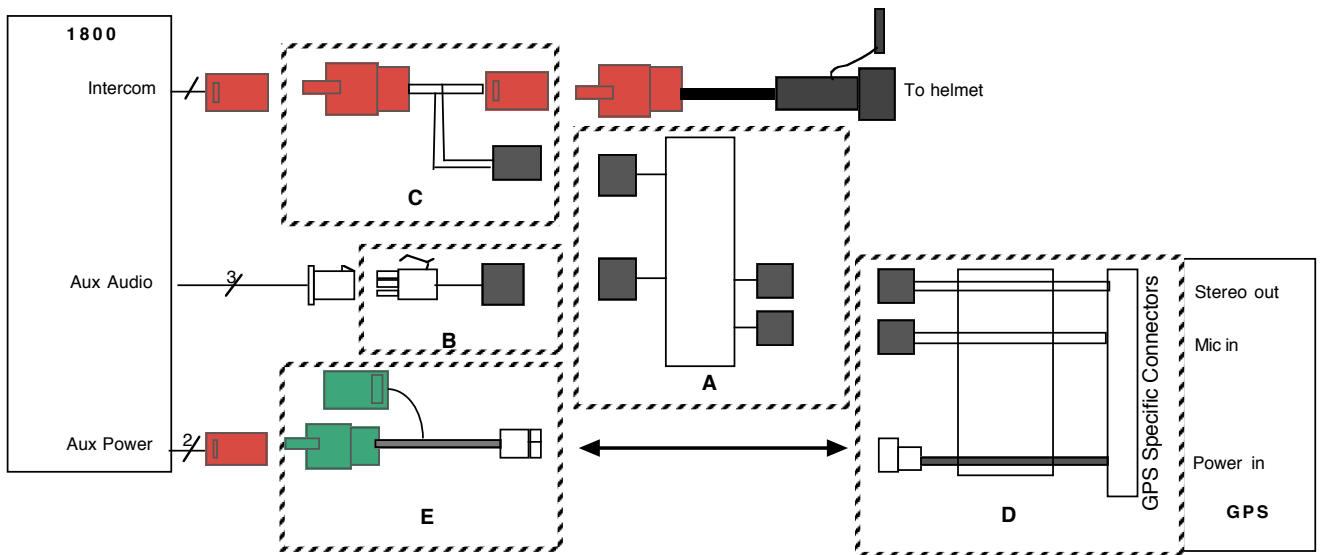
Not recommended for Music



Item	Part number	Description
A	95413	CellSet MC/GPS-ICS/MIC
B	95258	1800 Type 2 intercom harness
C	VBD	GPS harness. See table, "Required Harnesses for 'II' configuration guide", previous web page
D	95201	1800 power harness

Bike: 1800  
 GPS: Cell phone capable

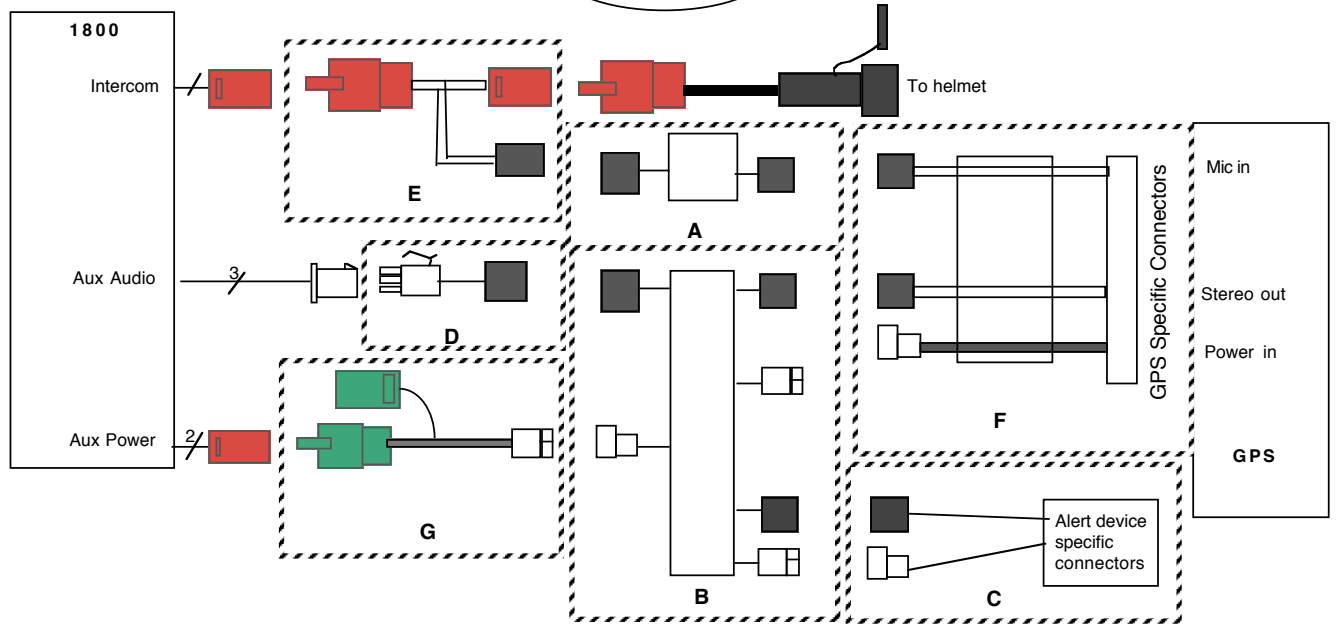
**II-B-0**



Item	Part number	Description
A	95415	CellSet, MC/GPS-AUX/MIC
B	95340	1800 Aux audio harness
C	95258	1800 Type 2 intercom harness
D	VBD	GPS harness. See table, "Required Harnesses for 'II' configuration guide", previous web page
E	95201	1800 power harness

Bike: 1800  
 GPS: Cell phone capable

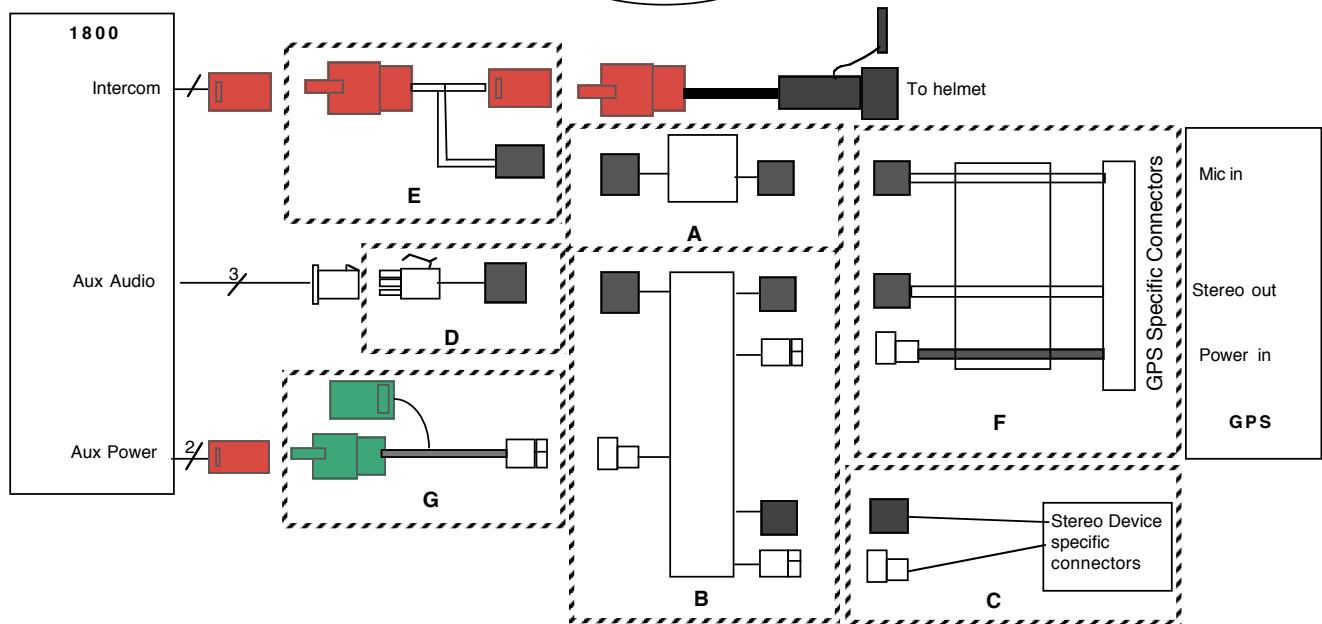
**II-B-1**



Item	Part number	Description
A	95416	CellSet, MC/GPS-MIC
B	95409	SingleAuxADSet
C	VBD	Alert Device Harness
D	95340	1800 Aux audio harness
E	95258	1800 Type 2 intercom harness
F	VBD	GPS harness. See table, "Required Harnesses for 'II' configuration guide", previous web page
G	95201	1800 power harness

Bike: 1800  
 GPS: Cell phone capable

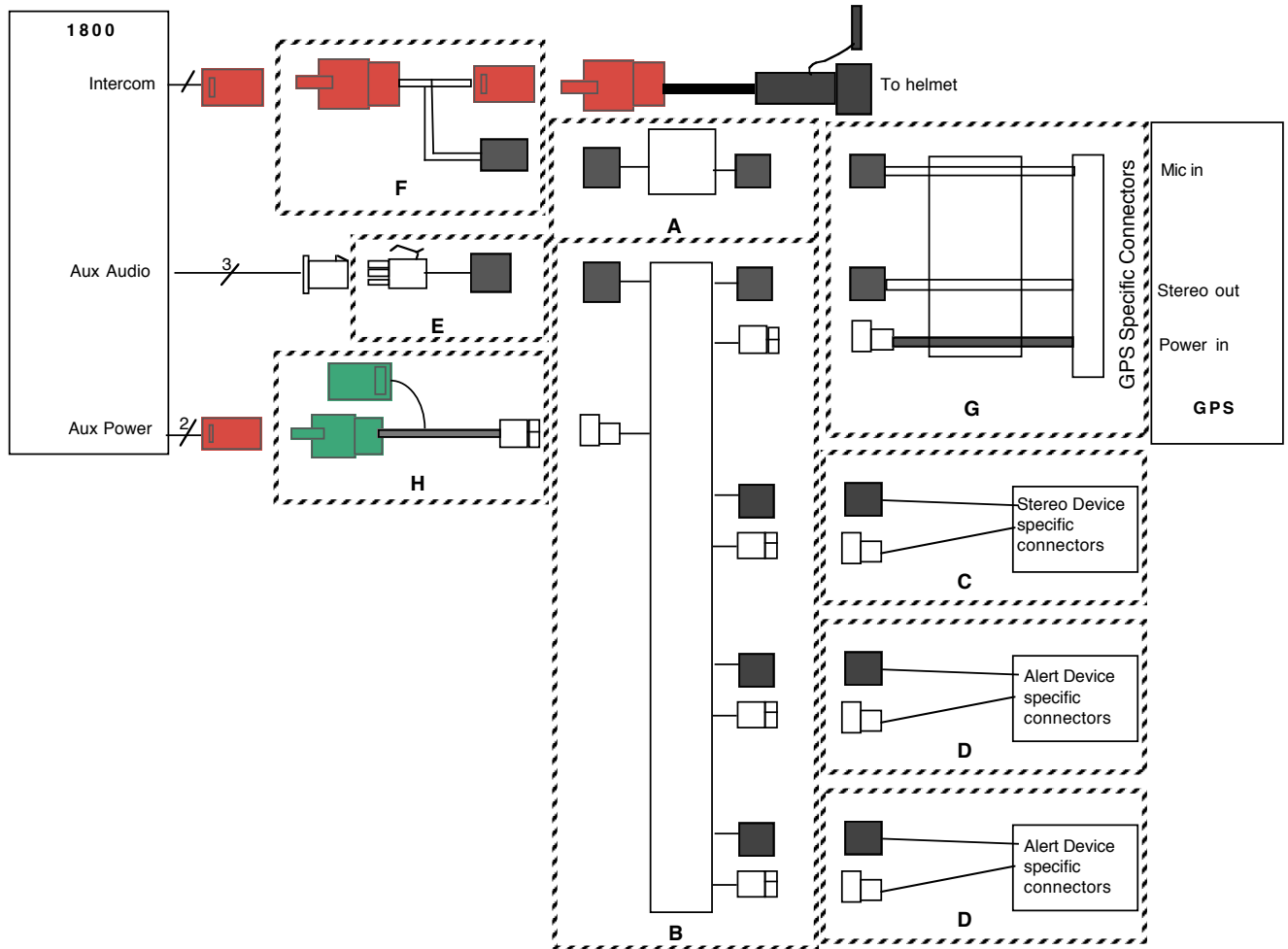
## II-B-2



Item	Part number	Description
A	95416	CellSet, MC/GPS-MIC
B	95375	AuxSwitchSet
C	VBD	Stereo Device Harness
D	95340	1800 Aux audio harness
E	95258	1800 Type 2 intercom harness
F	VBD	GPS harness. See table, "Required Harnesses for 'II' configuration guide", previous web page
G	95201	1800 power harness

Bike: 1800  
 GPS: Cell phone capable

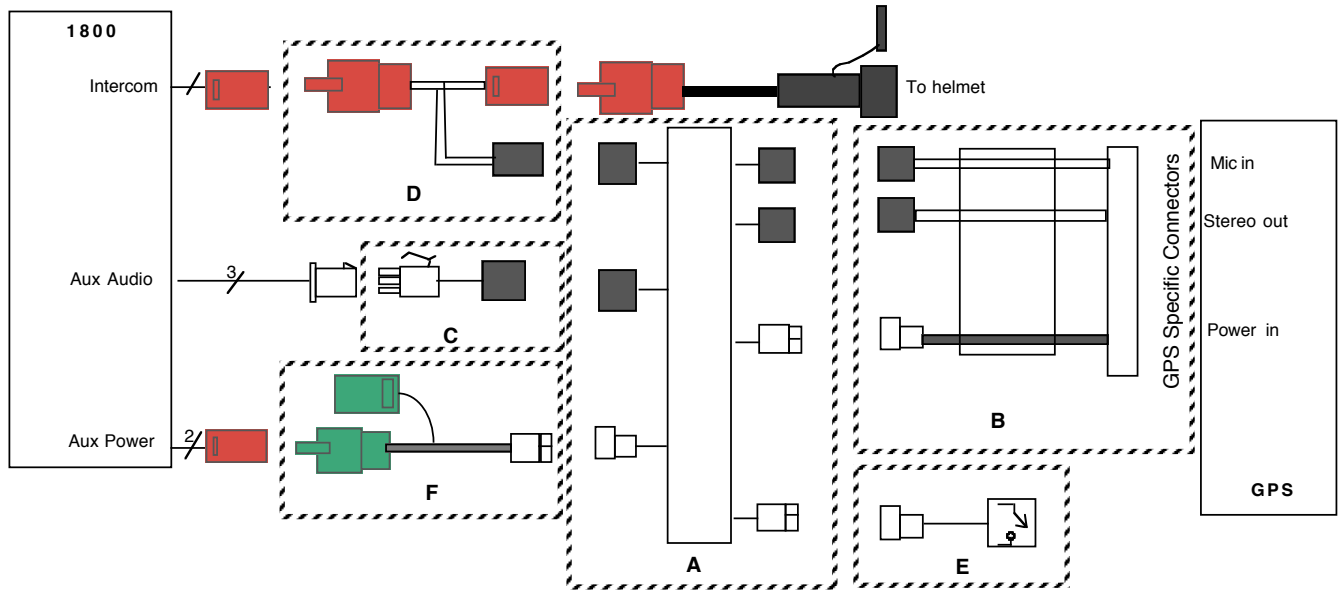
**II-B-3**



Item	Part number	Description
A	95416	CellSet, MC/GPS-MIC
B	95369	DualAuxADSet
C	VBD	Stereo Device Harness
D	VBD	Alert Device Harness
E	95340	1800 Aux audio harness
F	95258	1800 Type 2 intercom harness
G	VBD	GPS harness. See table, "Required Harnesses for 'II' configuration guide", previous web page
H	95201	1800 power harness

Bike: 1800  
 GPS: Cell phone capable

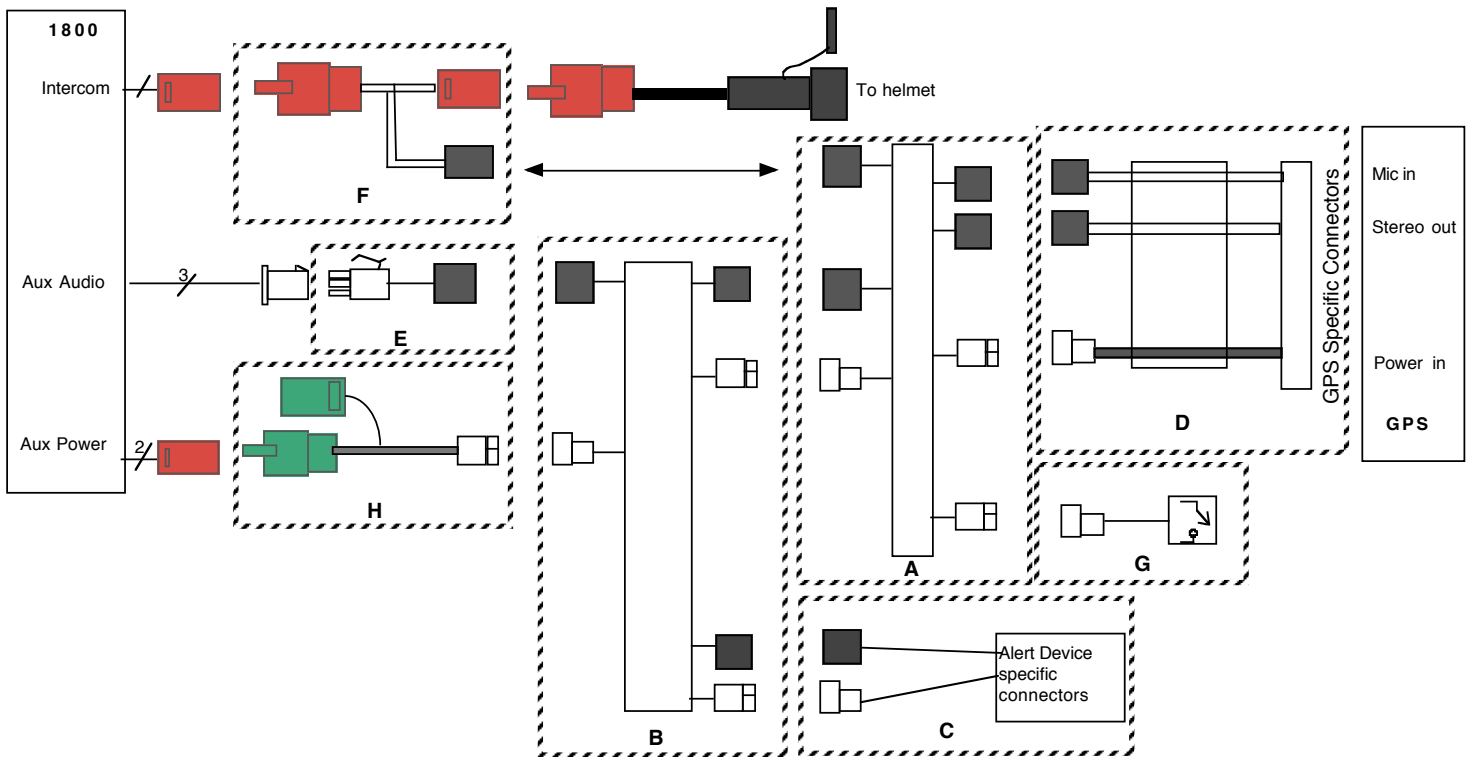
**II-C-0**



Item	Part number	Description
A	95441	CellSet, MC/GPS3
B	VBD	GPS harness. See table, "Required Harnesses for 'II' configuration guide", previous web page
C	95340	1800 Aux audio harness
D	95258	1800 Type 2 Intercom harness
E	VBD	Switch or Relay Timer Assembly
F	95201	1800 power harness

Bike: 1800  
 GPS: Cell phone capable

II-C-1

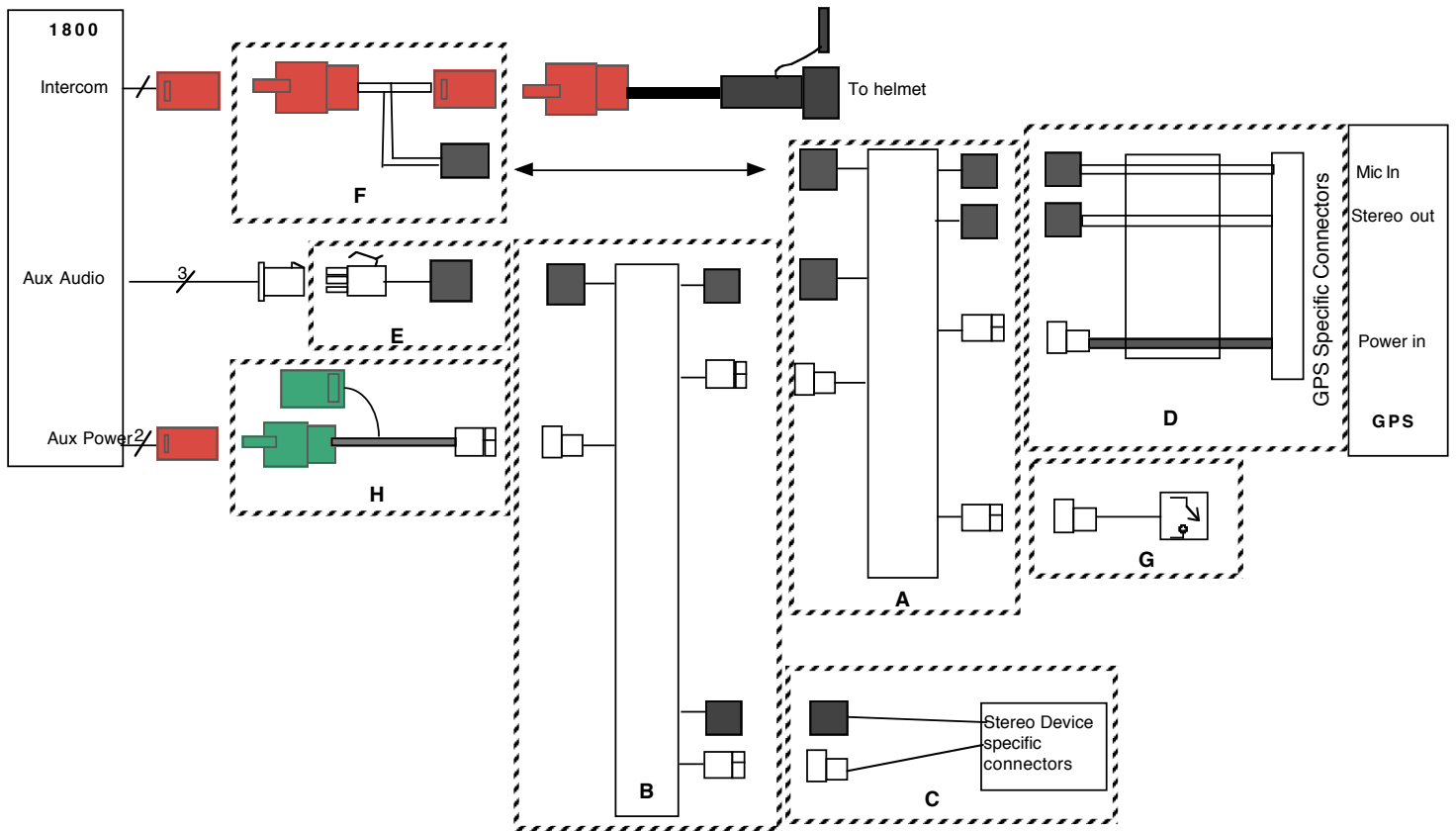


Item	Part number	Description
A	95441	CellSet, MC/GPS3
B	95409	SingleAuxADSet
C	VBD	Alert Device Harness
D	VBD	GPS harness. See table, "Required Harnesses for 'II' configuration guide", previous web page
E	95340	1800 Aux audio harness
F	95258	1800 Type 2 Intercom harness
G	VBD	Switch or Relay Timer Assembly
H	95201	1800 power harness



Bike: 1800  
 GPS: Cell phone capable

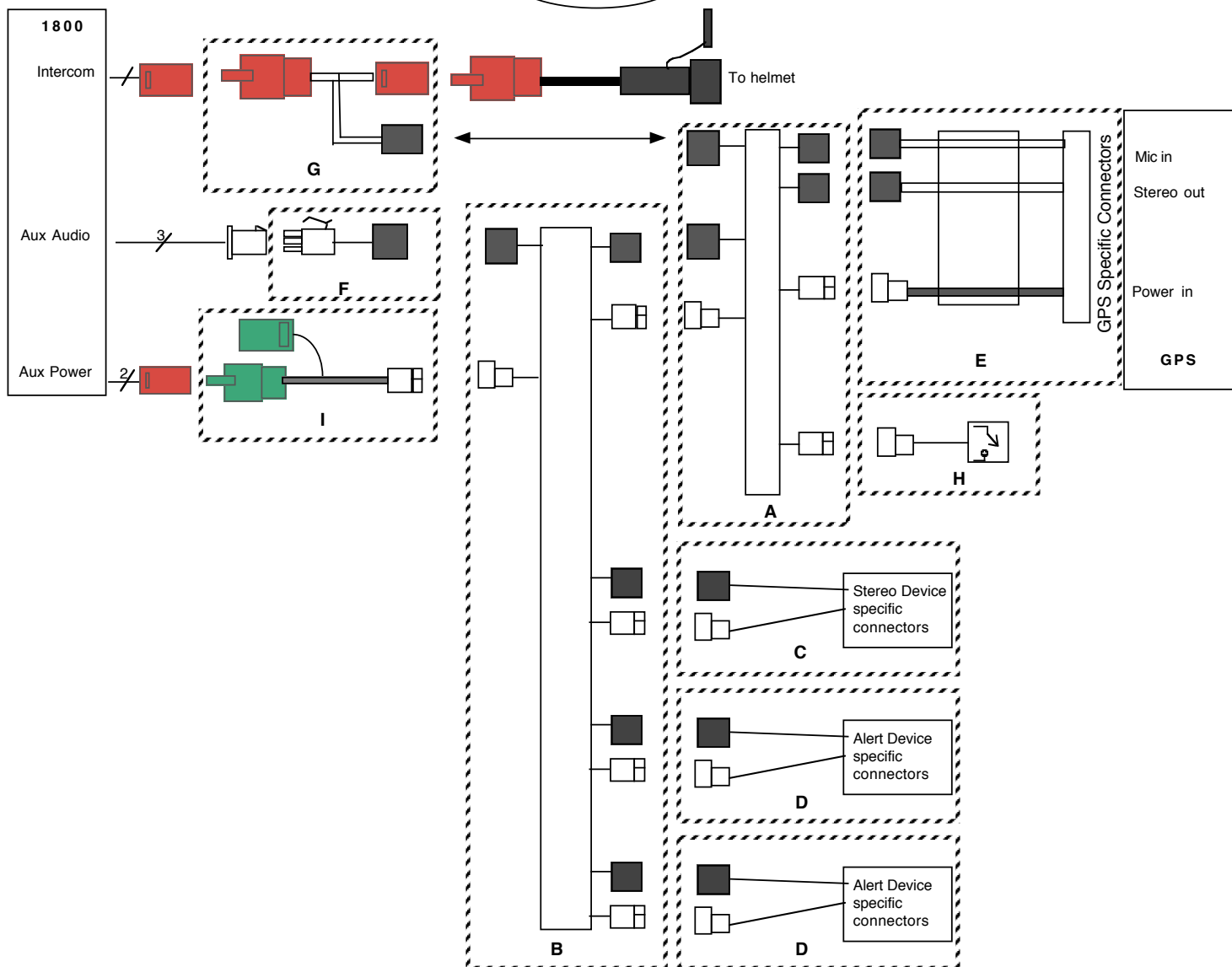
## II-C-2



Item	Part number	Description
A	95441	CellSet, MC/GPS3
B	95375	AuxSwitchSet
C	VBD	Stereo Device Harness
D	VBD	GPS harness. See table, "Required Harnesses for 'II' configuration guide", previous web page
E	95340	1800 Aux audio harness
F	95258	1800 Type 2 Intercom harness
G	VBD	Switch or Relay Timer Assembly
H	95201	1800 power harness

Bike: 1800  
 GPS: Cell phone capable

**II-C-3**



Item	Part	Description
A	95441	CellSet, MC/GPS3
B	95369	DualAuxADSet
C	VBD	Stereo Device Harness
D	VBD	Alert Device Harness
E	VBD	GPS harness. See table, "Required Harnesses for 'I' configuration guide", previous web page
F	95340	1800 Aux audio harness
G	95258	1800 Type 2 Intercom harness
H	VBD	Switch or Relay Timer Assembly
I	95201	1800 power harness