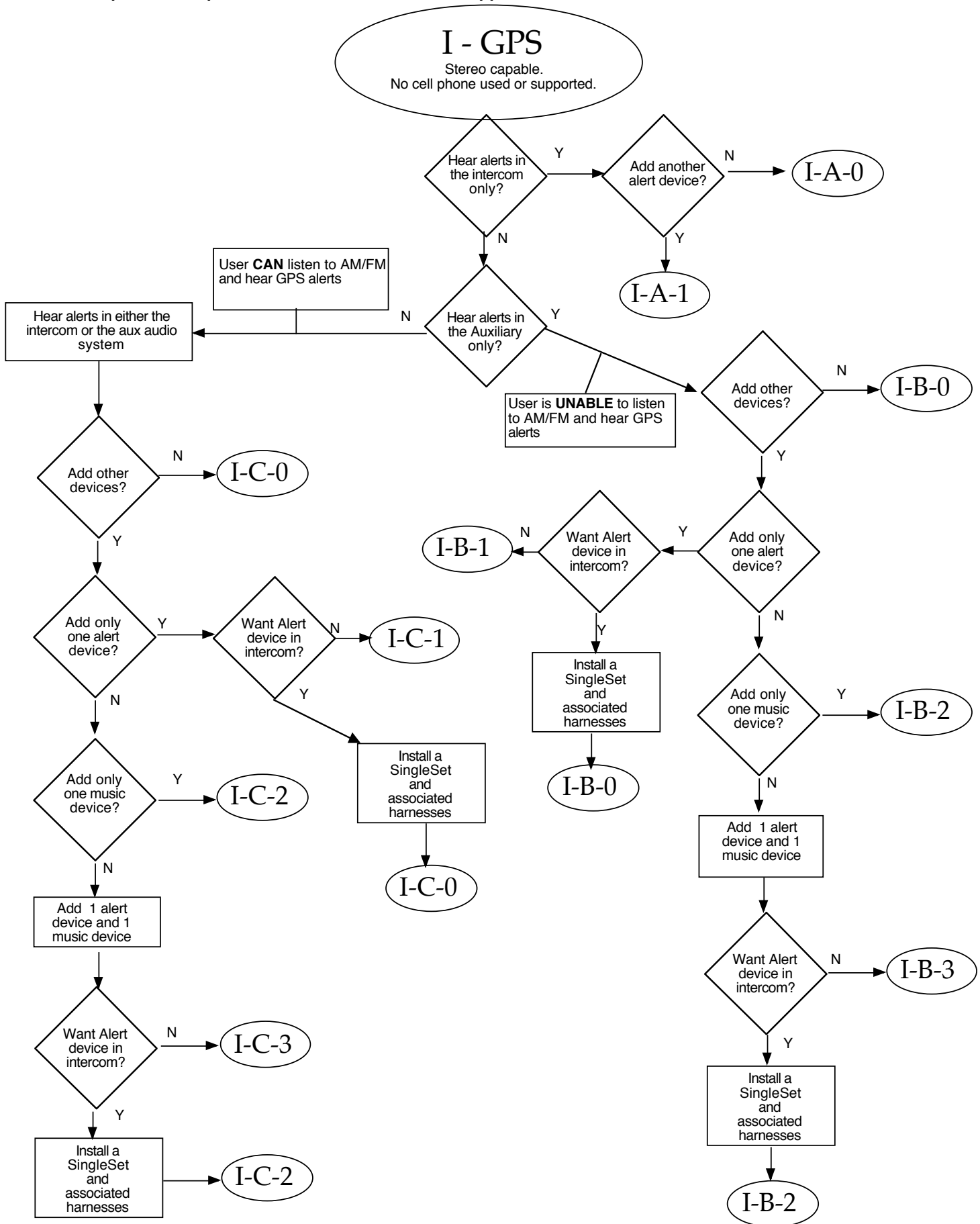


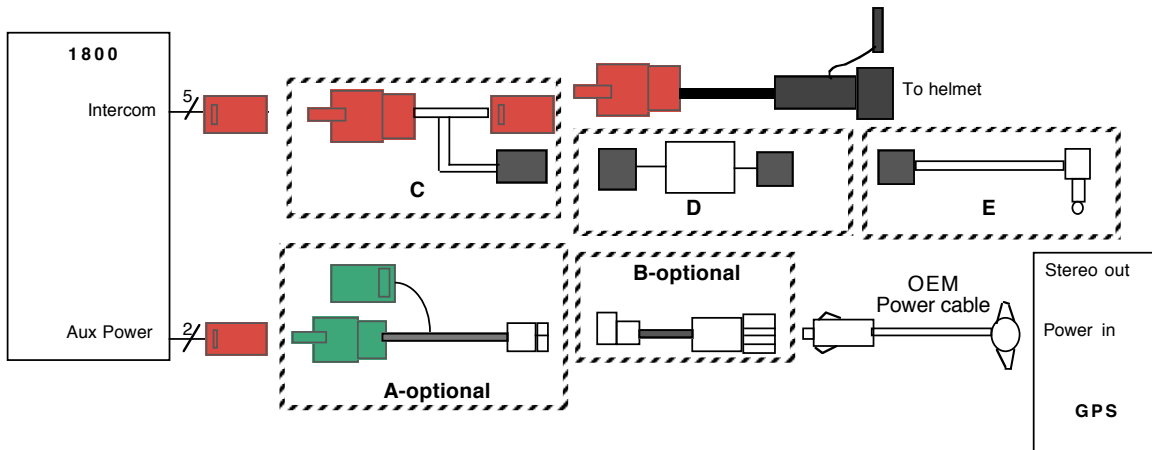
**Bike: 1800**  
**GPS: Stereo capable. Cell phone either not used or not supported.**



Bike: 1800  
 GPS: Stereo capable. Cell phone either not used or not supported.

# I-A-0

Not recommended for Music



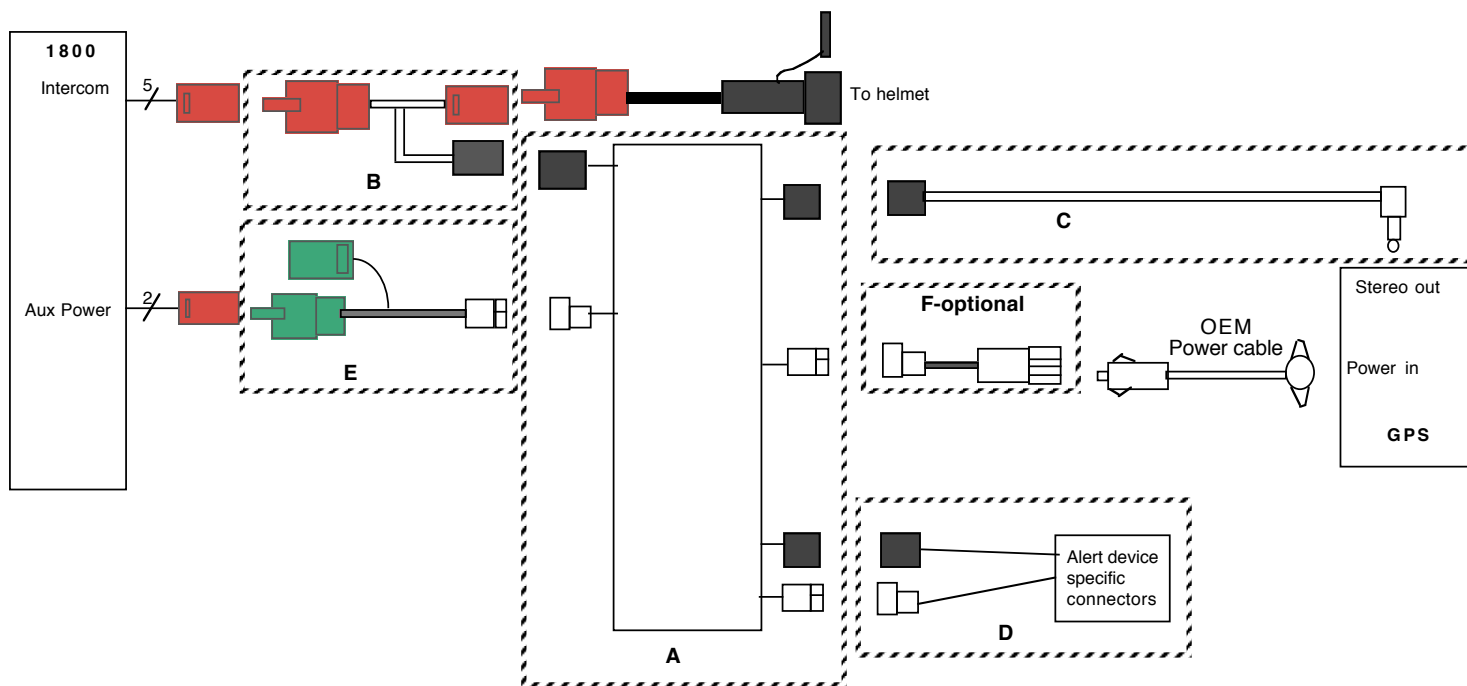
Item	Part	Description
A	95201	1800 Switched power harness
B	95387	Cig Lighter Socket
C	95258	1800 Type 2 intercom harness
D	95459	SingleSet2.2
E	VBD	GPS alert device harness, see table, below

Manufacturer	Model	Part
Garmin	2730, 2820	95211, Item B, and OEM power cable not required
Any	Has 3.5mm diameter stereo jack	95206, OEM power cable required

Bike: 1800  
 GPS: Stereo capable. Cell phone either not used or not supported.

# I-A-1

Not recommended for Music

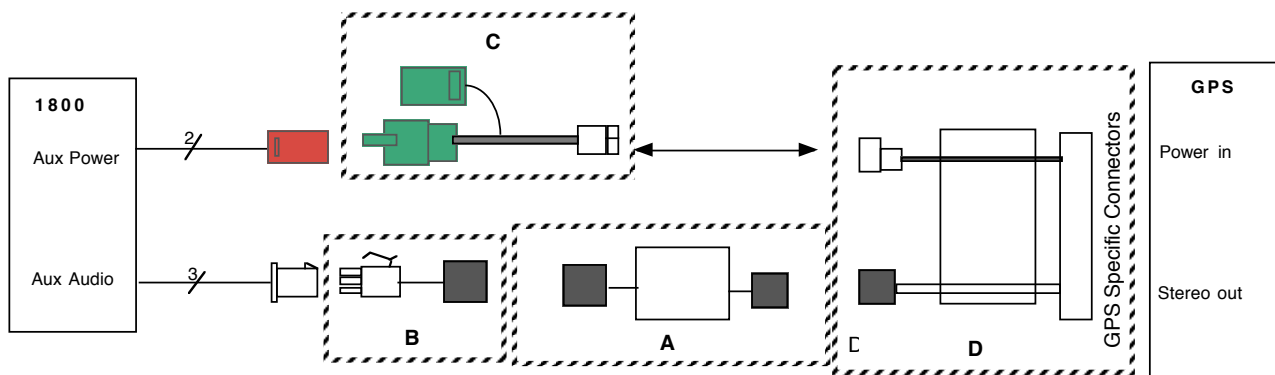


Item	Part number	Description
A	95460	DualSet2.2
B	95258	1800 Type 2 intercom harness
C	VBD	GPS alert device harness, see table, below
D	VBD	Alert device harness
E	95201	1800 power harness
F	95387	Cig Lighter Socket

Manufacturer	Model	Part
Garmin	2730, 2820	95211, Item F, and OEM power cable not required
Any	Has 3.5mm diameter stereo jack	95206, OEM power cable required

**Bike: 1800**  
**GPS: Stereo capable. Cell phone either not used or not supported.**

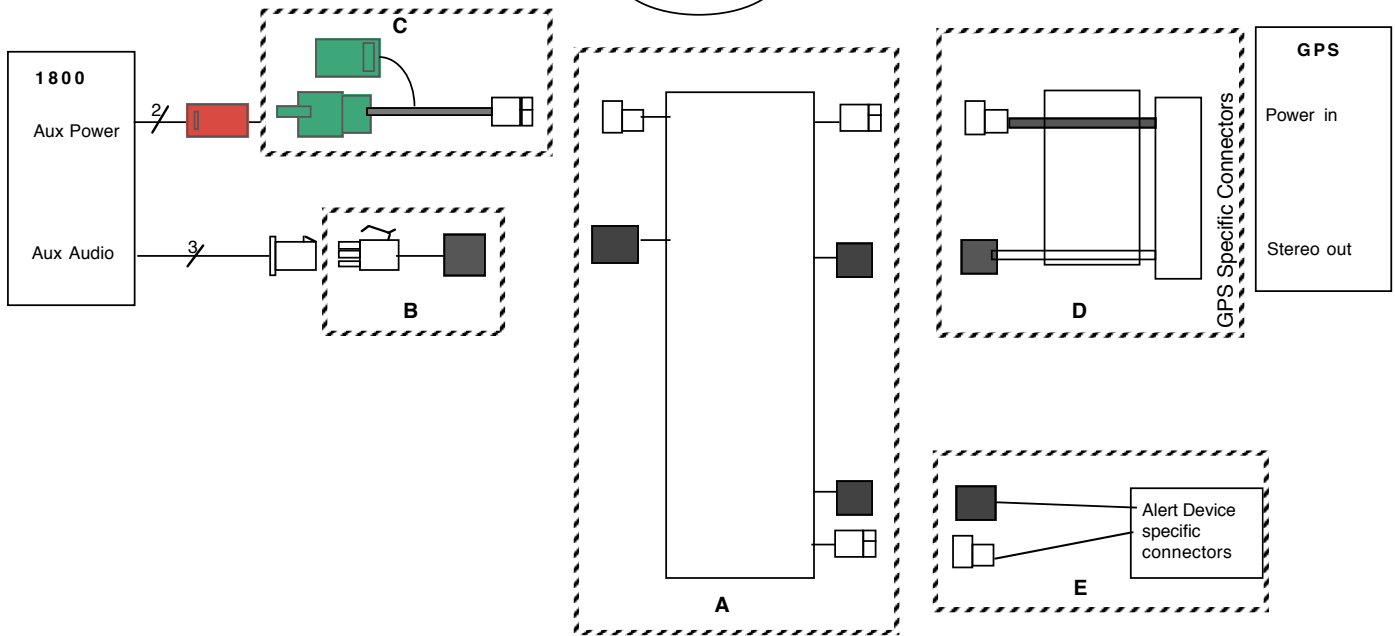
**I-B-0**



Item	Part number	Description
A	95376	IsoSet2
B	95340	1800 Aux Audio Harness
C	95201	1800 power harness
D	VBD	GPS harness, see table, "Required Harnesses for 'I' configuration guide", previous web page

**Bike: 1800**  
**GPS: Stereo capable. Cell phone either not used or not supported.**

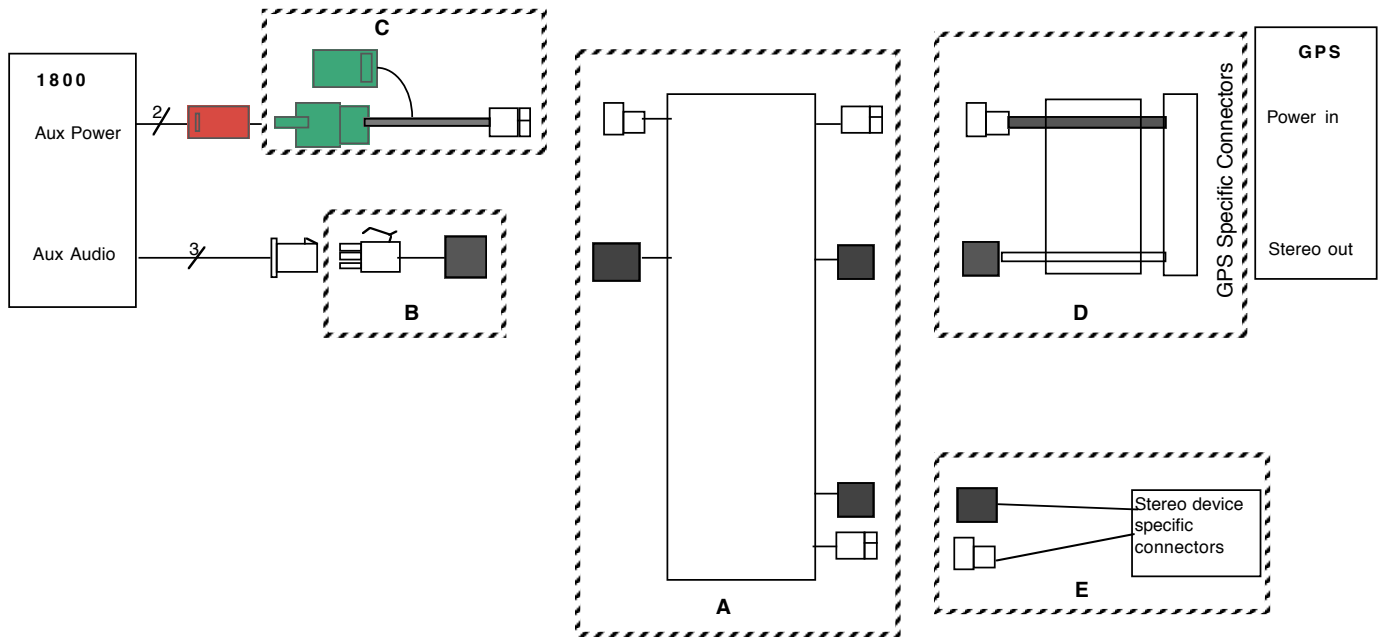
**I-B-1**



Item	Part number	Description
A	95409	SingleAuxADSet
B	95340	1800 Aux audio harness
C	95201	1800 power harness
D	VBD	GPS harness, see table, "Required Harnesses for 'I' configuration guide", previous web page
E	VBD	Alert Device Harness

**Bike: 1800**  
**GPS: Stereo capable. Cell phone either not used or not supported.**

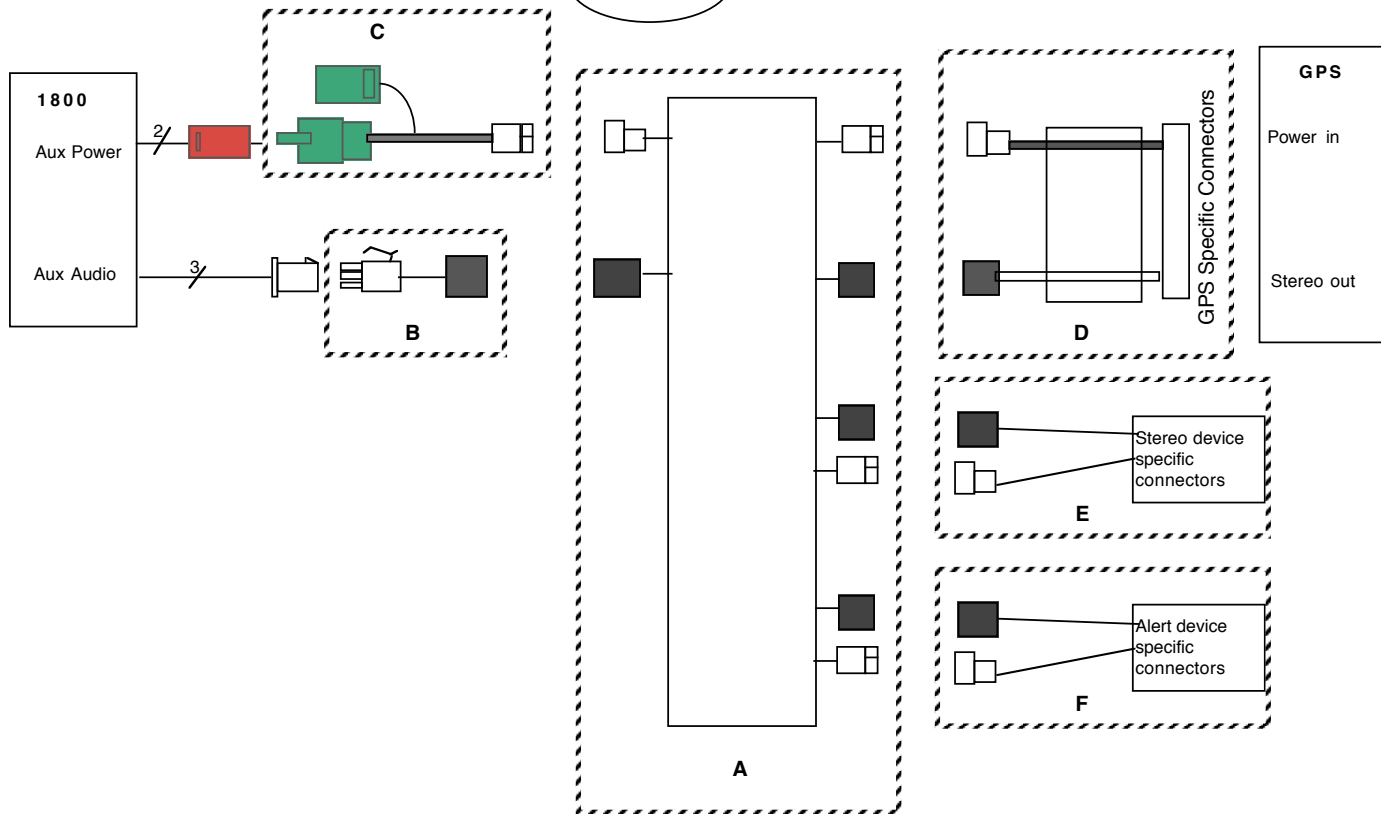
**I-B-2**



Item	Part number	Description
A	95375	AuxSwitchSet
B	95340	1800 Aux audio harness
C	95201	1800 power harness
D	VBD	GPS harness, see table, "Required Harnesses for 'I' configuration guide", previous web page
E	VBD	Stereo Device Harness

**Bike: 1800**  
**GPS: Stereo capable. Cell phone either not used or not supported.**

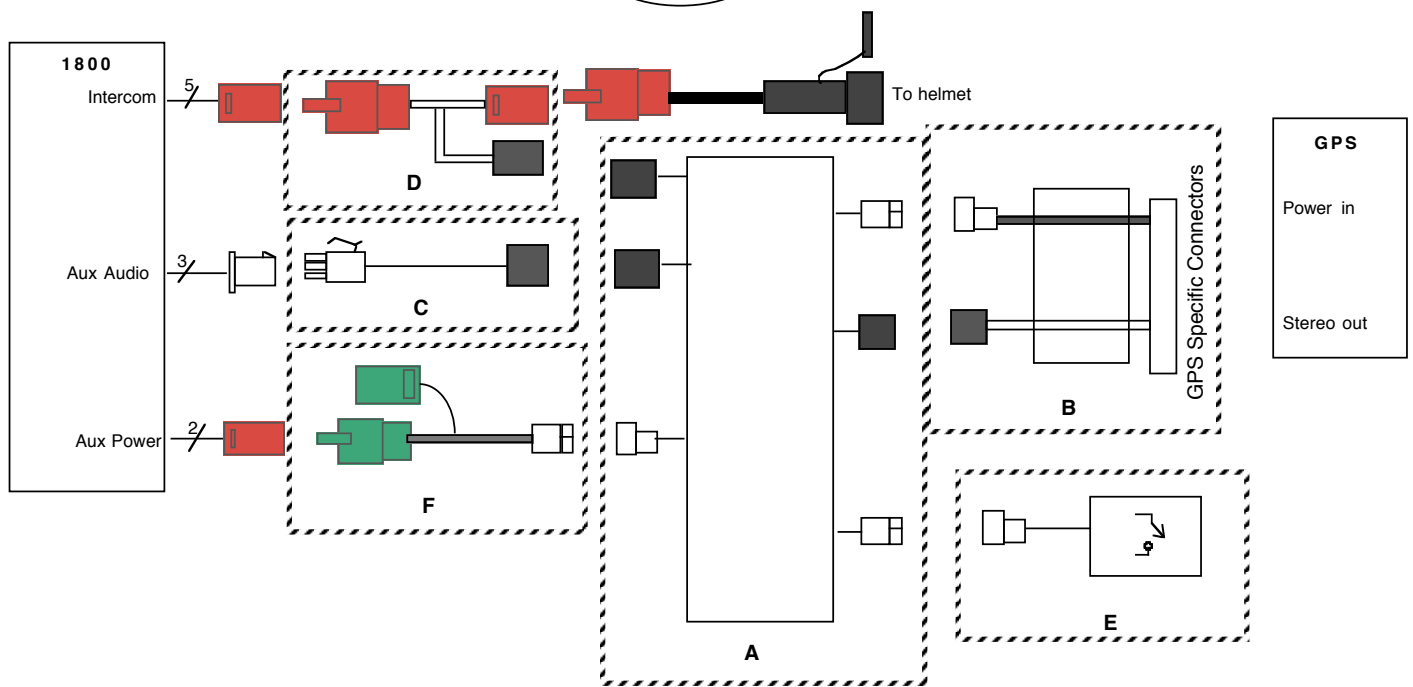
**I-B-3**



Item	Part number	Description
A	95369	DualAuxADSet
B	95340	1800 Aux audio harness
C	95201	1800 power harness
D	VBD	GPS harness, see table, "Required Harnesses for 'I' configuration guide", previous web page
E	VBD	Stereo Device Harness
F	VBD	Alerts Device Harness

**Bike: 1800**  
**GPS: Stereo capable. Cell phone either not used or not supported.**

**I-C-0**

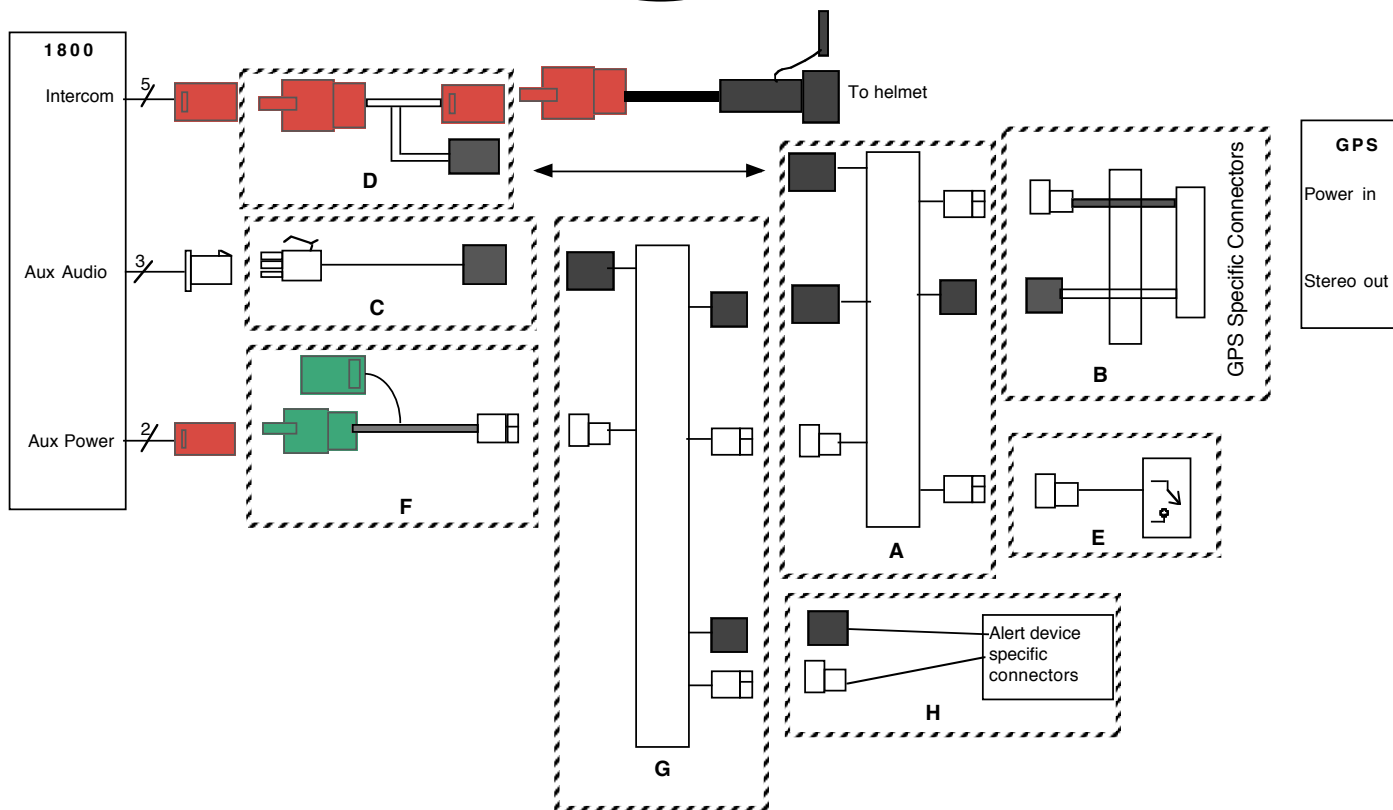


Item	Part number	Description
A	95445	CellSet, MC/GPS-AUX/ICS
B	VBD	GPS harness, see table, "Required Harnesses for 'I' configuration guide", previous web page
C	95340	1800 Aux audio harness
D	95258	1800 Type 2 Intercom harness
E	VBD	Switch or Relay Timer Assembly
F	95201	1800 power harness



Bike: 1800  
 GPS: Stereo capable. Cell phone either not used or not supported.

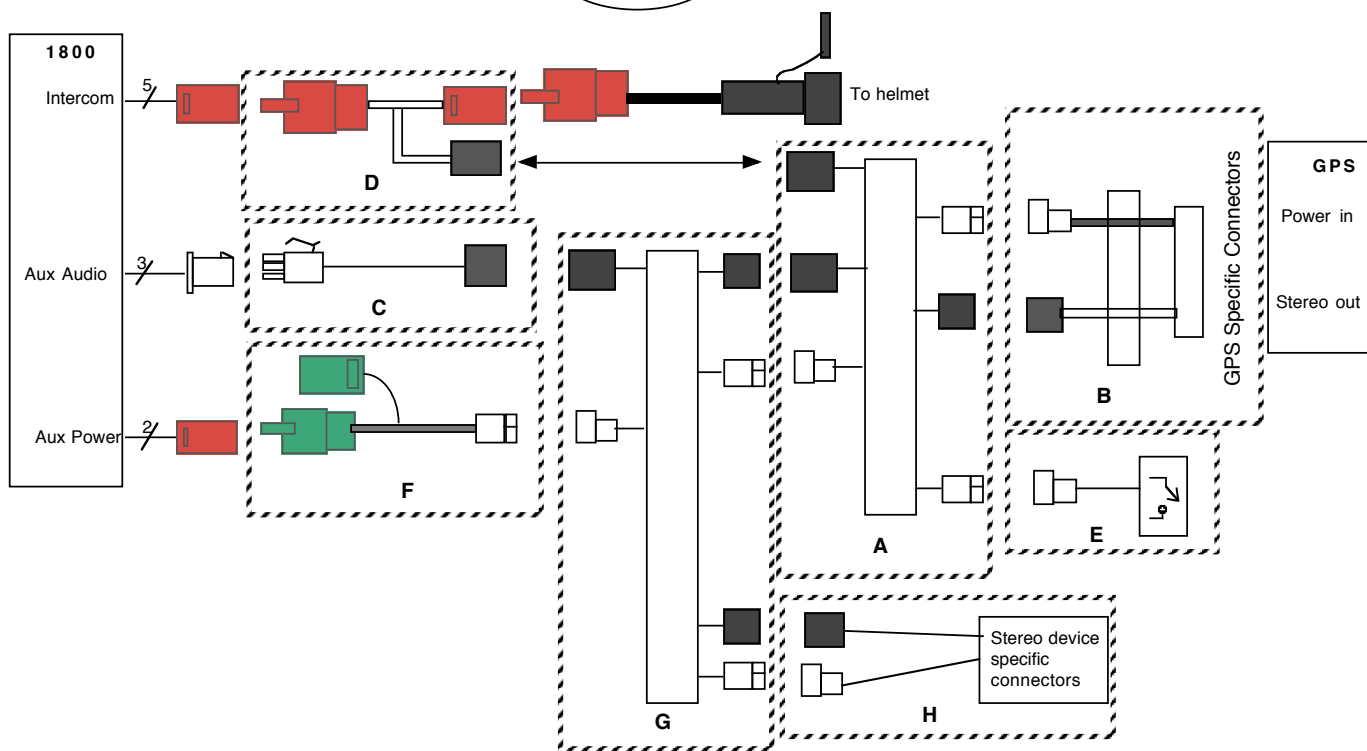
I-C-1



Item	Part number	Description
A	95445	CellSet, MC/GPS-Aux/ICS
B	VBD	GPS harness. See table, "Required Harnesses for 'I' configuration guide", previous web page
C	95340	1800 Aux audio harness
D	95258	1800 Type 2 Intercom harness
E	VBD	Switch or Relay Timer Assembly
F	95201	1800 power harness
G	95409	SingleAuxADSet
H	VBD	Alert Device Harness

**Bike: 1800**  
**GPS: Stereo capable. Cell phone either not used or not supported.**

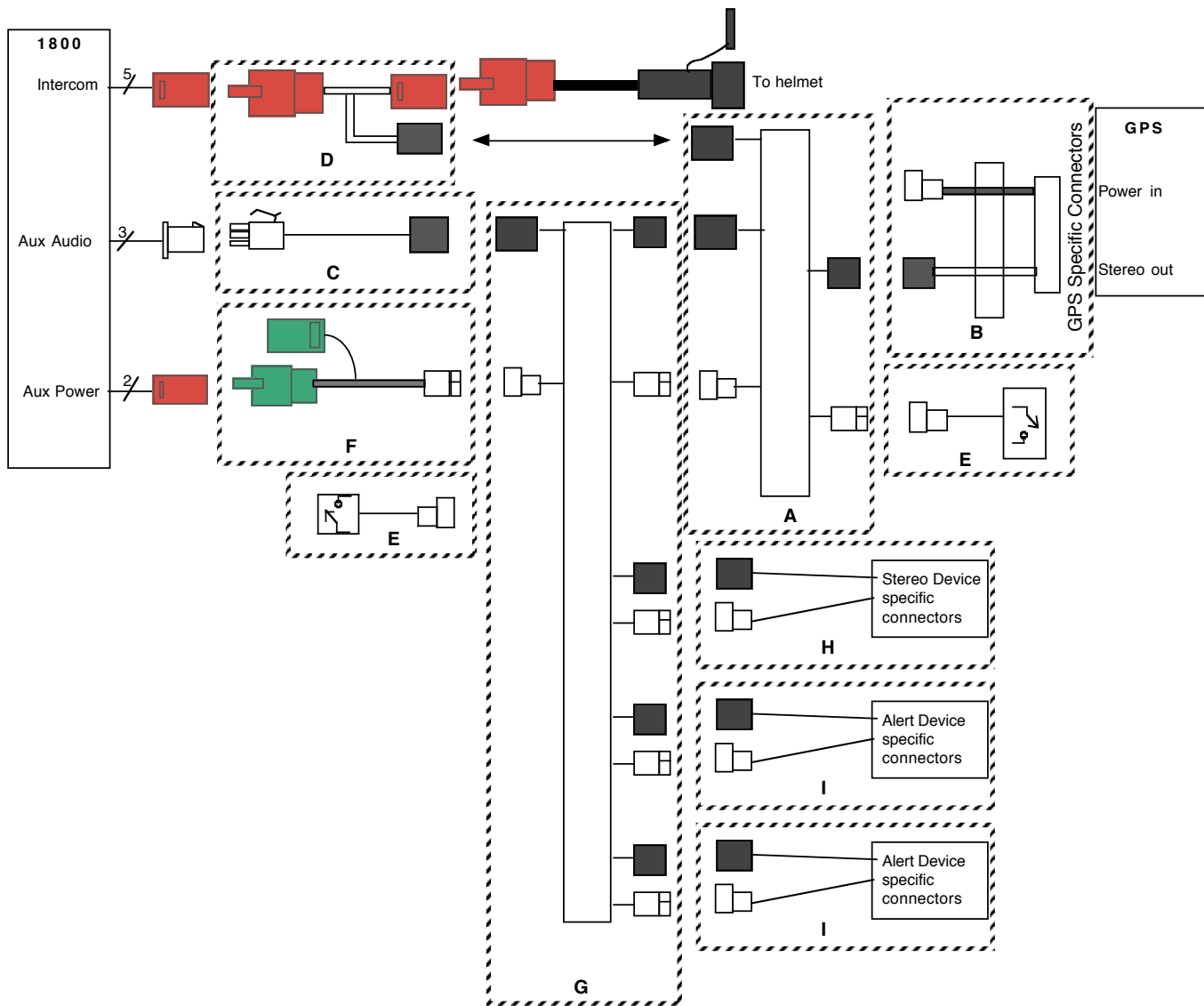
**I-C-2**



Item	Part number	Description
A	95445	CellSet, MC/GPS-Aux/ICS
B	VBD	GPS harness. See table, "Required Harnesses for 'I' configuration guide", previous web page
C	95340	1800 Aux audio harness
D	95258	1800 Type 2 Intercom harness
E	VBD	Switch or Relay Timer Assembly
F	95201	1800 power harness
G	95375	AuxSwitchSet
H	VBD	Stereo Device Harness

Bike: 1800  
 GPS: Stereo capable. Cell phone either not used or not supported.

I-C-3



Item	Part number	Description
A	95445	CellSet, MC/GPS-Aux/ICS
B	VBD	GPS harness. See table, "Required Harnesses for 'I' configuration guide", previous web page
C	95340	1800 Aux audio harness
D	95258	1800 Type 2 Intercom harness
E	VBD	Switch or Relay Timer Assembly
F	95201	1800 power harness
G	95369	DualAuxADSet
H	VBD	Stereo Device Harness
I	VBD	Alert Device Harness