

Installation and User's Guide

CellSet MC/GPS-Aux/ICS

Document part number 65345R0

Kennedy Technology Group, Inc.
614 Ridgeway, Rose Hill, Kansas 67133 USA

voice 316.776.1111
fax 316.776.9035
email:kennedy@cellset.com
www.cellset.com

Thank you for purchasing our product!

We hope that your new *CellSet* gives you many hours of clear and comfortable operation.

This *CellSet* was designed to connect to a variety of multifunction GPS/MP3 Devices, and bike intercoms and auxiliary audio input systems. It allows the user to switch the GPS' device audio to either the bike's intercom or auxiliary audio system.

This *CellSet* must be used in conjunction with:

- KTG Type 2 Intercom Harness
- KTG Device Harness
- KTG Aux Audio Harness or KTG Audio Switcher (e.g. AuxSwitchSet, SingleAuxADSet, etc.)
- KTG Power Harness
- Simple Switch Assembly or Timer Switch Assembly.

Each of these KTG harnesses and assemblies are sold and packaged separately.

INSTALLATION

Connect *CellSet* male plug P1 to the Power Harness you purchased.

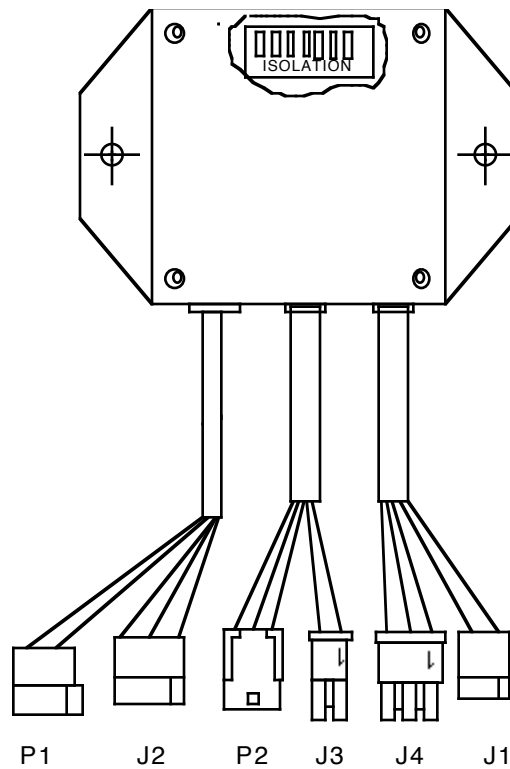
Connect *CellSet* female jacks **J1, and J4** to the Device Harness you purchased.

Connect *CellSet's* jack **J3** to the Intercom Harness you purchased.

Connect *CellSet's* jack **J2** to the Simple Switch or Timer Switch Assembly you purchased.

Finally, connect *CellSet's* plug **P2** to either the Aux Audio Harness you purchased or the Kennedy Audio Switcher assembly's mating connector.

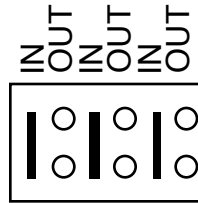
Refer to the instructions sheets provided with the Harness and Switch assemblies: Complete those installations.



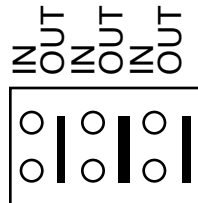
INTERNAL JUMPERS

Remove *CellSet's* top cover. Locate the 3 red thumb pull jumpers on the top of PCB (see figure, above).

If you are connecting the *CellSet* directly to the bike's auxiliary audio input via a KTG harness, set the three red jumpers to the "IN" positions.



If you are connecting the *CellSet* to the bike's auxiliary audio input via a KTG Audio Switcher, set the three red jumpers to the "Out" positions.



Turn on your Intercom and Auxiliary Audio system and adjust both to their usual settings. Put on your helmet/helmet.

Switch the GPS device's audio between the bike's auxiliary and intercom system.

When switched to the intercom, music will sound very tinny.

Replace *CellSet's* top cover, and mount it in a sheltered location using the tie wraps provided.