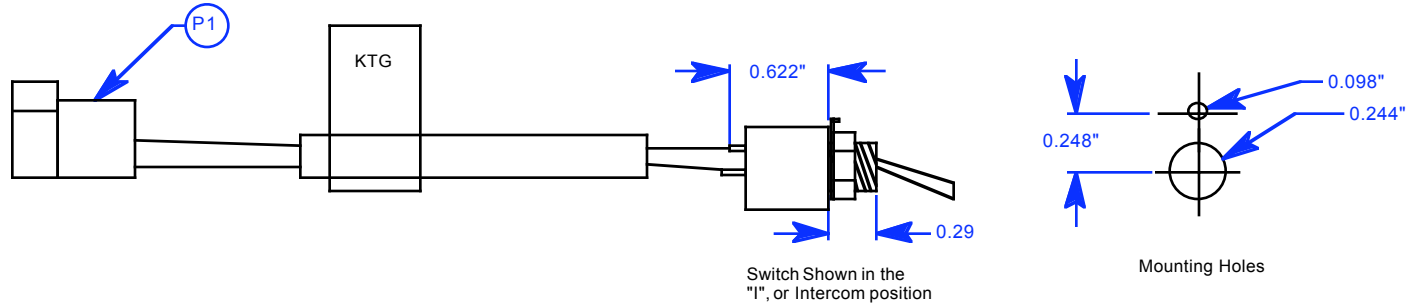


Toggle Switch Assembly Install Guide

Document Part number 65326R0

Locate a position to drill a mounting hole. Make certain that the location has sufficient clearance behind the surface. Make certain the panel thickness does not exceed the maximum shown. Connect P1 to the main KTG Module. When the switch is closed (or "ON") the KTG module routes GPS audio to the bike's intercom system



Kennedy Technology Group, Inc.
614 Ridgeway
Rose Hill, Kansas 67133 - USA
voice 316.776.1111 • fax 316.776.9035
email:kennedy@cellset.com