

Device Harness User's Guide

(Document Part Number 65167R1)

Shown (over) are the KTG Device Harnesses connections which are common to each available harness.

The KTG Device Harnesses black, audio, micro-fit connector connects to the main unit (e.g. *DualAuxADSet*, *SingleSet* or *DualSet*) per that unit's instructions.

The KTG Device Harnesses white, power plug connects to either the Main Unit per that unit's instructions or directly to a KTG Power Harness.

Whether or not it connects to the KTG Main unit or a power harness will depend on the type of power source required (switched or unswitched) and the type of interface device being used.

Connect the device specific plugs to the device.

Notes:

1. Depending on the device to which you are connecting, the harness may or may not have a power plug.
2. Fused harnesses are fused for its particular device. If the fuse blows, replace it with a fuse of the same rating
3. Some devices allow you to configure (via device software) the audio jack to be set to either "Headphone" or "Line Out" impedance and levels. If the sound quality through the Kennedy device is poor (buzzing/feedback, no audio, or garbled audio), you may need to change the device output setting to "Headphones" instead of "Line Out"

Kennedy Technology Group, Inc.
614 Ridgeway
Rose Hill, Kansas 67133 - USA
voice 316.776.1111 • fax 316.776.9035
email:kennedy@cellset.com

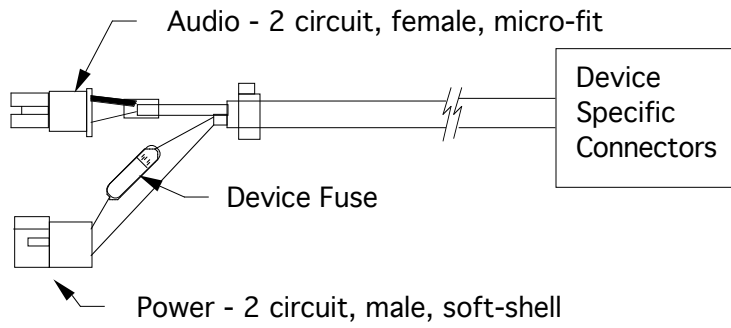


Figure 1. Alert Device

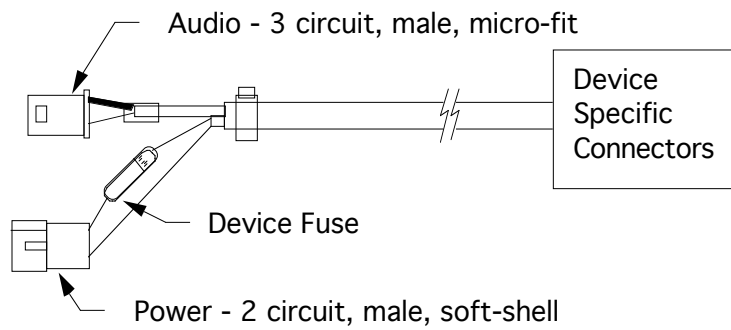


Figure 2. Audio Device- Unregulated 12Vdc

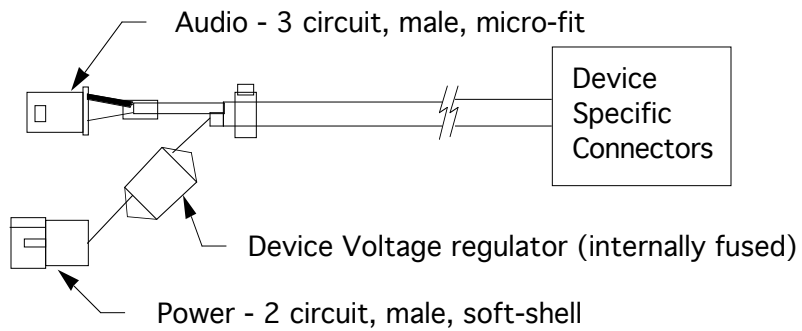


Figure 3. Audio device - Voltage regulated