

DualSet

Installation Guide

Thank you for purchasing our product!

We hope this Kennedy Technology Group product gives you many hours of clear and reliable operation.

This product was designed to connect to a variety of bike audio and power systems, and Audio Alert Devices (e.g. GPS, Radar Detectors). It must be used in conjunction with a KTG Intercom Harness, at least one KTG Power Harness, and at least one KTG Device Harness (each sold and packaged separately).

To begin the installation, connect *DualSet's* connector P1 to the Kennedy Intercom Harness. (packaged separately)

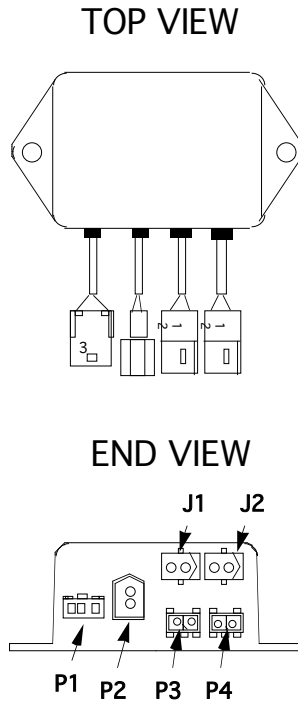


Figure 1. DualSet Connector Designators

Please note that the “P” and “J” designators are for reference only and do not physically appear on the connectors.

POWER CONFIGURATIONS

Configuration #1: Same Power Source - Both Devices

In this configuration, only one Power Harness is used (selected to accommodate the user’s bike and/or power preference). The Power Harness is connected directly to the *DualSet*. *DualSet* splits that power to connectors J1 and J2. Connectors J1 and P1 on both Device Harnesses connect directly to the *DualSet*.

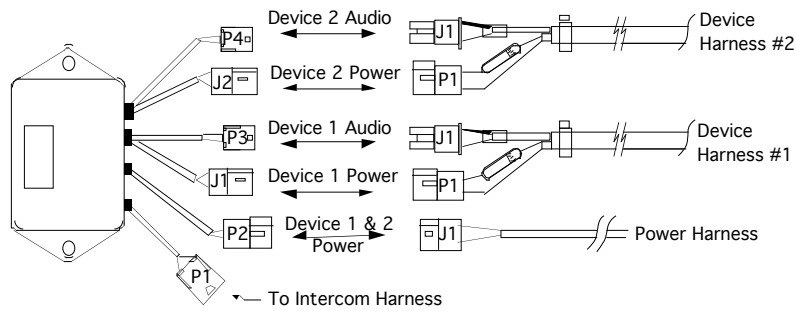


Figure 2. *DualSet* Connection - Same Power Source

To achieve this configuration:

- ◇ Connect *DualSet's* plug P3 to Device Harness #1 jack J1.
- ◇ Connect *DualSet's* jack J1 to Device Harness #1 plug P1.
- ◇ Connect *DualSet's* plug P4 to Device Harness #2 jack J1.
- ◇ Connect *DualSet's* jack J2 to Device Harness #2 plug P1.

Configuration #2: Different Power Source - Each Device

Figure 3 (over) shows the connections required to provide different power sources for each device. Two Power Harness are required (selected to accommodate the user's bike). In this configuration, each Device Harness power plug P1 is *NOT* connected to the *DualSet*: It is connected directly to the Power Harness.

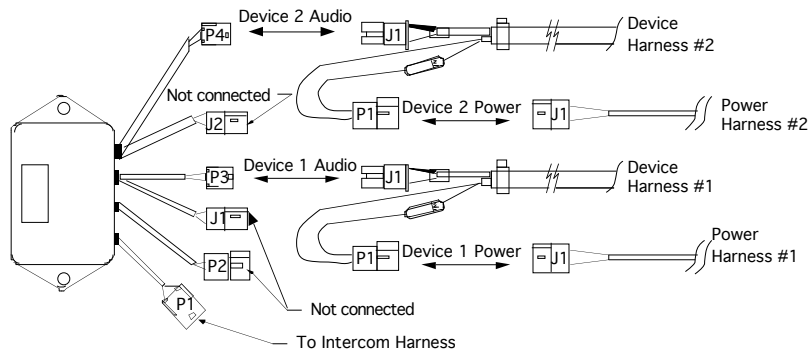


Figure 3. *DualSet* Connection - Different Power Source

To achieve this configuration:

- ◇ Connect Device Harness #1 jack J1 to *DualSet* plug P3.
- ◇ Connect Device Harness #1 plug P1 to Power Harness #1 jack J1
- ◇ Connect Device Harness #2 jack J1 to *DualSet* plug P4.
- ◇ Connect Device Harness #2 plug P1 to Power Harness #2 jack J1.

Refer now to the instructions sheets provided with the KTG Intercom, Power, and KTG Device Harnesses. When you have complete those installation instructions, refer back to this sheet.

TURN ON YOUR INTERCOM and adjust the device's volume as required. If either device is too loud and you are unable to obtain a comfortable volume level, call us and order an attenuation harness, KTG part # 95218.

Turn on the bike's engine and listen for alternator whine. If it is present, turn off power to the devices. If the whine disappears, a power filter may be indicated. If it is still present, reposition the *DualSet* while listening to the whine. As you move *DualSet*, you will notice the whine level increase and decrease, depending on *DualSet's* position. Mount it in the position where the whine is at a minimum.